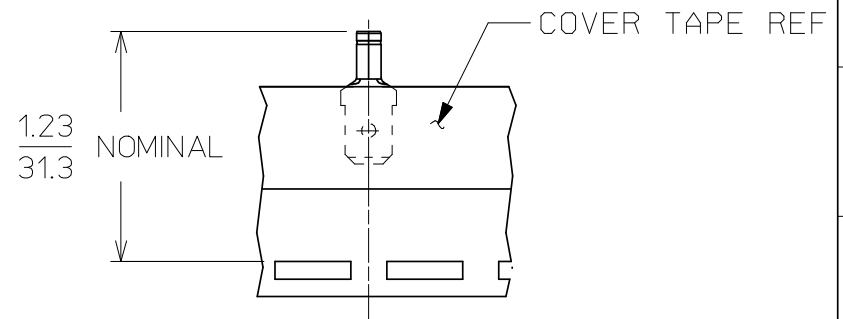
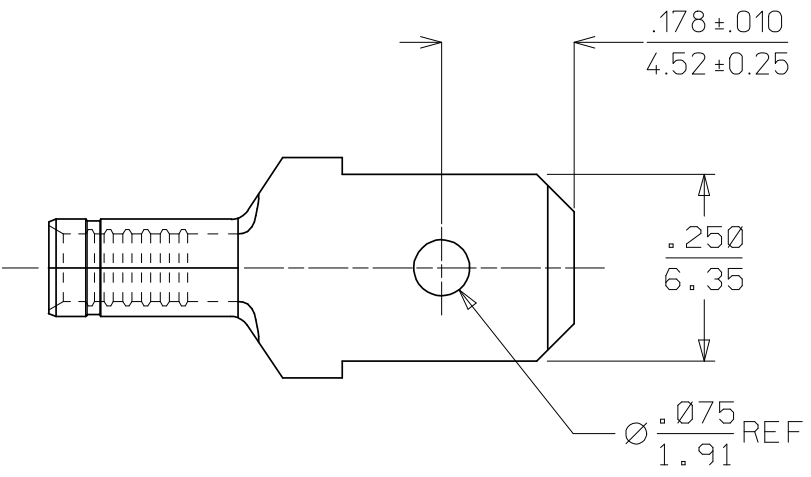
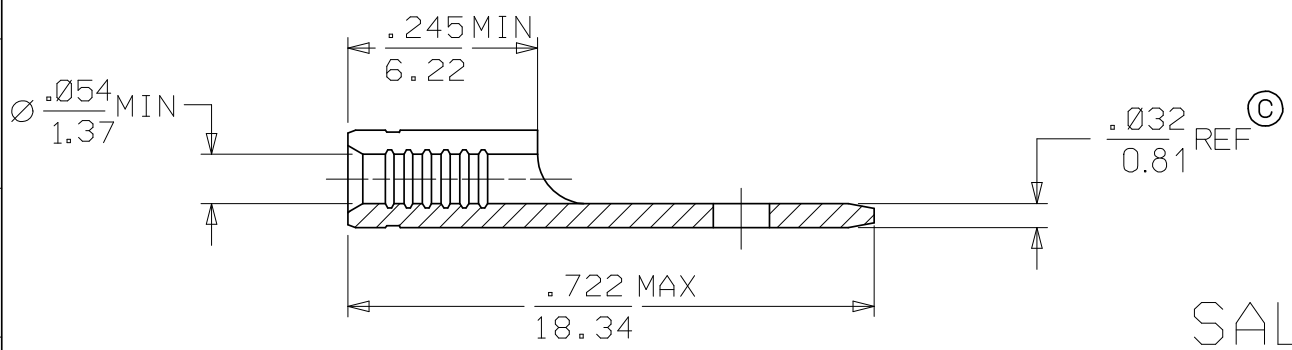


13	12	11	10	9	8	7	6	5	4	3	2	1
MATERIAL NUMBER		ENGINEERING NUMBER	DESCRIPTION									
190220004		AMCT-I	ZINC CHROMATE PLATED									
190220010		AMCT-IT	ZINC CHROMATE PLATED, TAPE MOUNTED									



TAPE MOUNTING LOCATION FOR 190220010, AMCT-1T



SALES DRAWING

- NOTES:
1. MATERIAL: BRASS ©
 2. FINISH: SEE CHART
 3. WIRE SIZE: 22-18 AWG (0.38 - 0.96 mm²)
 4. TAB DIMENSIONS CONFORM TO UL310 SPECIFICATIONS.
 5. PART IS ROHS COMPLIANT. ©

CHANGED MATL & FINISH EC NO: ETC2007-0081 DRAWN: HILE 2008/01/28 CHKD: JMACNEIL 2008/01/28 APPR: JMACNEIL 2008/02/13	QUALITY SYMBOLS	GENERAL TOLERANCES (UNLESS SPECIFIED)	DIMENSION STYLE	SCALE	DESIGN UNITS	THIRD ANGLE PROJECTION	
	▼=0 ▽=0	mm INCH	IN/MM	4:1	INCH		
		4 PLACES ± --- ± --- 3 PLACES ± --- ± .005 2 PLACES ± 0.13 ± .01 1 PLACE ± 0.25 ± ---	DRAWN BY DATE BRE 1/07/02	APPROVED BY DATE RWD 1/07/02	TITLE MALE CONNECTOR TERMINAL .250 X .032 TAB KRIMPTITE		
		ANGULAR ±1/2°	SEE CHART	MOLEX INCORPORATED		DOCUMENT NO. SD-19022-006	SHEET NO. 1 OF 1
		DRAFT WHERE APPLICABLE MUST REMAIN WITHIN DIMENSIONS	THIS DRAWING CONTAINS INFORMATION THAT IS PROPRIETARY TO MOLEX INCORPORATED AND SHOULD NOT BE USED WITHOUT WRITTEN PERMISSION				