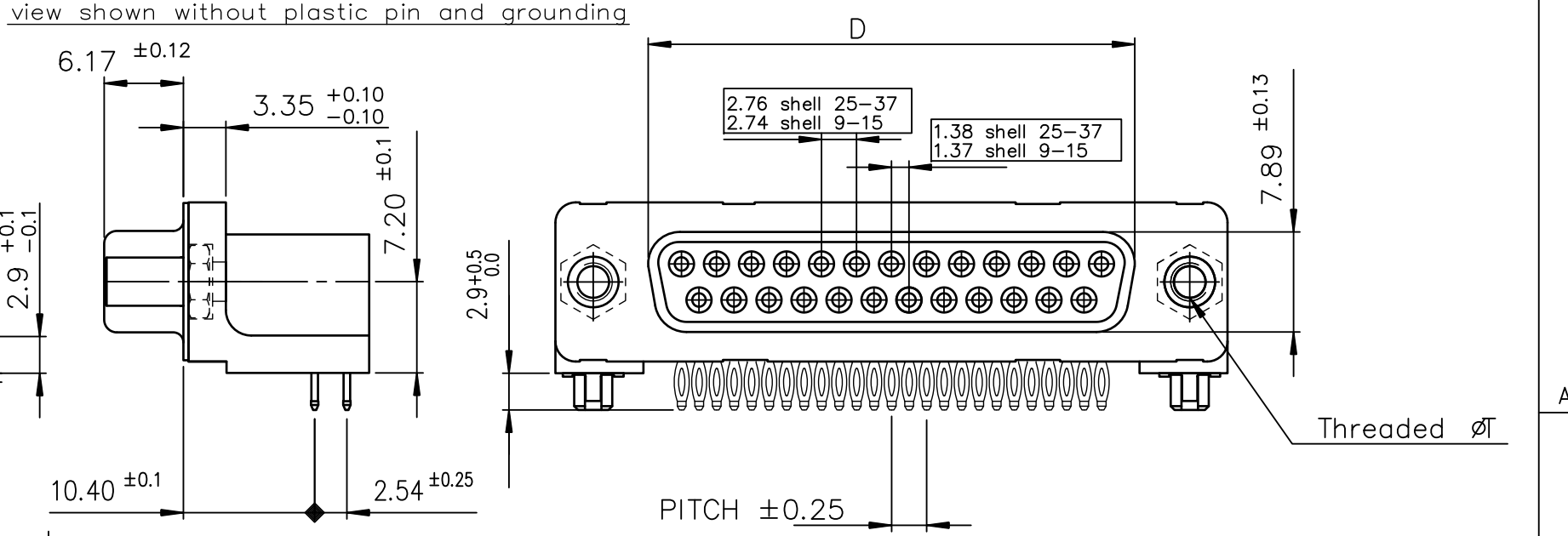
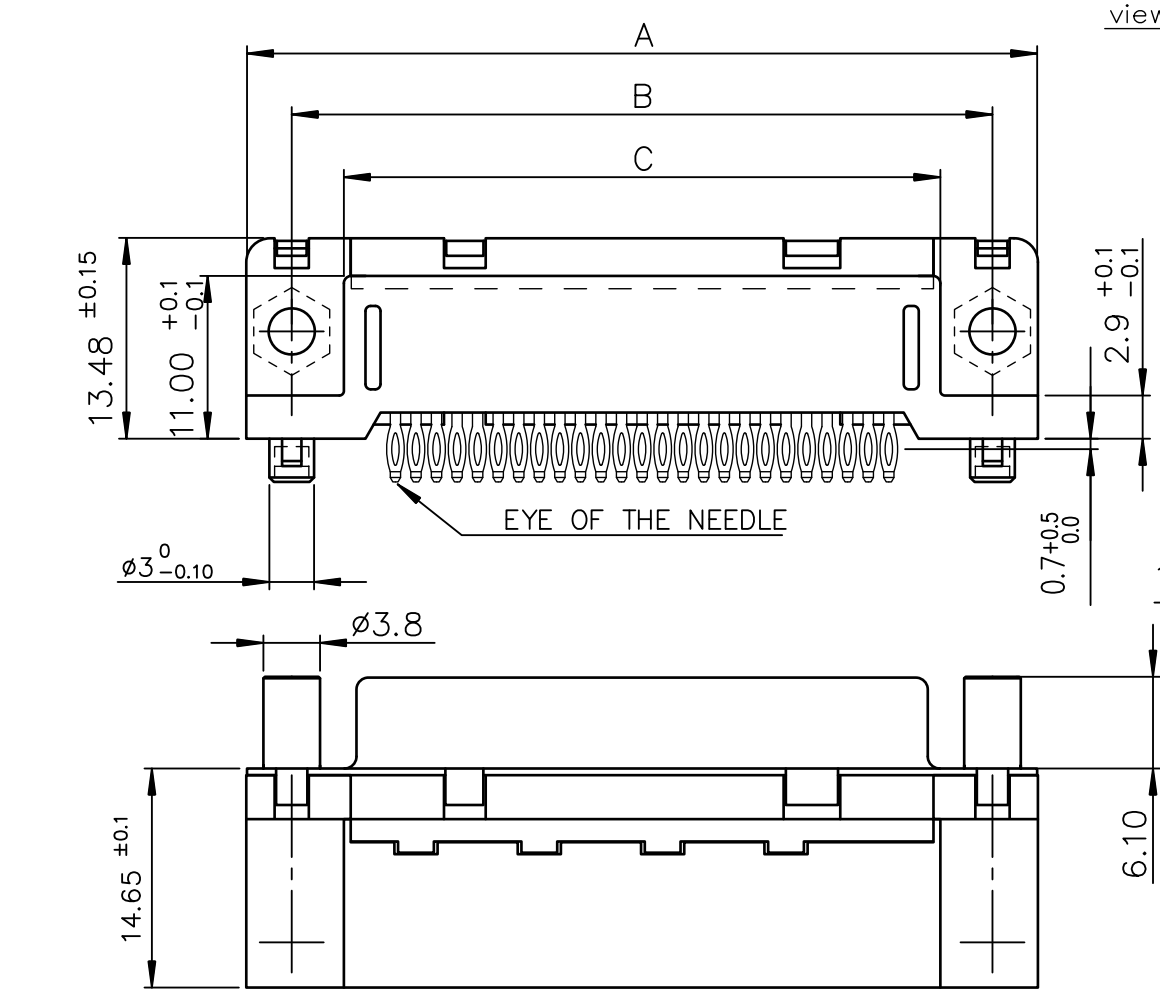


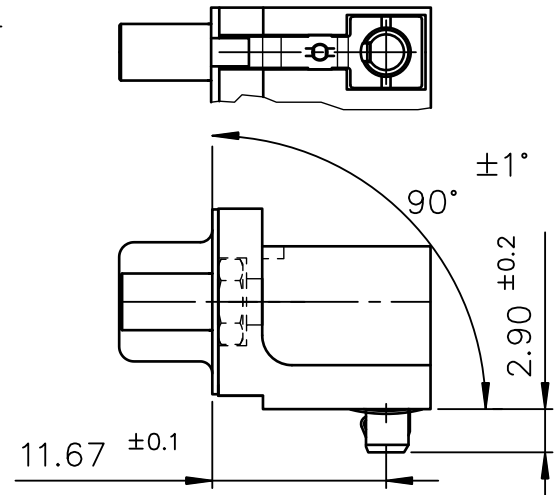


FCIconnect.com

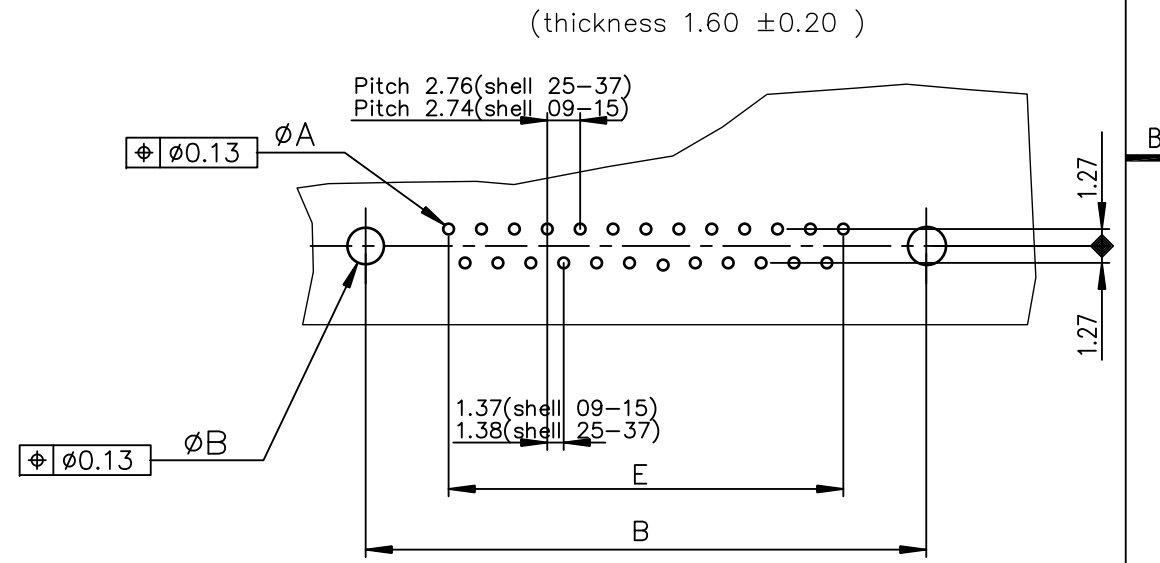
Copyright FCI



Detail of grounding strip



PC card drilling dimensions(after plating)



TIN LEAD PART NUMBER

SHELL	A±0.38	B±0.12	C±0.10	D±0.25	E±0.07	PART NUMBER	PART NUMBER
09	30.81	24.99	18.00	16.21	10.96	D09S81C4G*00	D09S81C6G*00
15	39.14	33.32	26.32	24.54	19.18	D15S81C4G*00	D15S81C6G*00
25	53.03	47.04	40.04	38.25	33.12	D25S81C4G*00	D25S81C6G*00
37	69.32	63.50	56.50	54.71	49.68	D37S81C4G*00	D37S81C6G*00
						Gold flash	0.76 µ gold

Threaded ØT M3 = I
Threaded ØT 4.40 = V

LEAD FREE PART NUMBER

SHELL	A±0.38	B±0.12	C±0.10	D±0.25	E±0.07	PART NUMBER	PART NUMBER
09	30.81	24.99	18.00	16.21	10.96	D09S81C4G*00LF	D09S81C6G*00LF
15	39.14	33.32	26.32	24.54	19.18	D15S81C4G*00LF	D15S81C6G*00LF
25	53.03	47.04	40.04	38.25	33.12	D25S81C4G*00LF	D25S81C6G*00LF
37	69.32	63.50	56.50	54.71	49.68	D37S81C4G*00LF	D37S81C6G*00LF
						Gold flash	0.76 µ gold

Threaded ØT M3 = I
Threaded ØT 4.40 = V

GENERAL CHARACTERISTICS AND ROHS INFORMATIONS:

SEE DRAWING C01-8646-0001

mat'l. code				surface ISO 1302 ✓		tolerance ISO 406 ISO 1101		projection		product family	
-								D-SUB			
ltr		ecn no		dr		date		tolerances unless otherwise specified		title	
J		ELX-I-18050		MP		2014/06/23		.0±0.1 .00±0.1 .000±0.1		FEMALE CONNECTOR DELTA-D EUROPE RIGHT ANGLED PRESS FIT	
								angles linear		MM	
								0°±2°		scale 2:1	
				dr		PESSON 1997/10/15		FCI		dwg no	
				enr		MITHUN PAUL 2014/06/23				sheet 1 of 1	
				chr		ALIAS BABU 2014/06/23				size	
				appd		BIJU K PAUL 2014/06/23				A3	
sheet index		revision sheet		J		1				type	
										Product Customer Drawing	