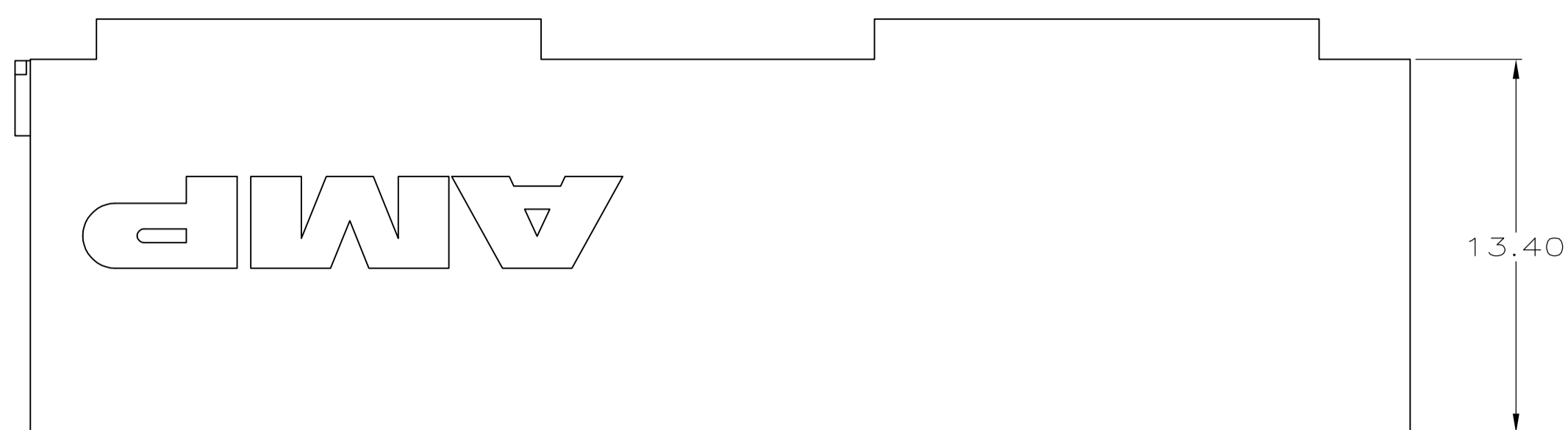
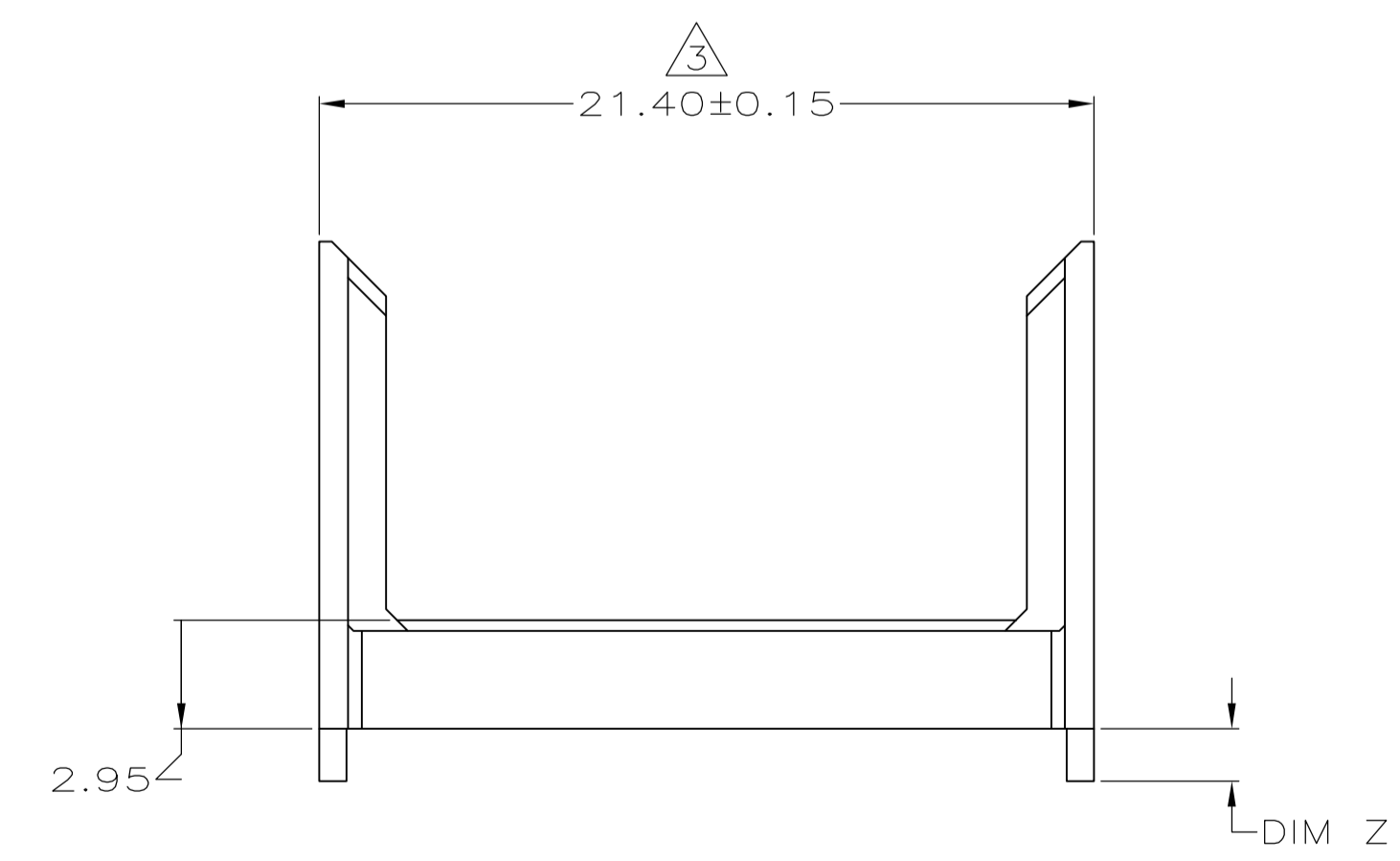
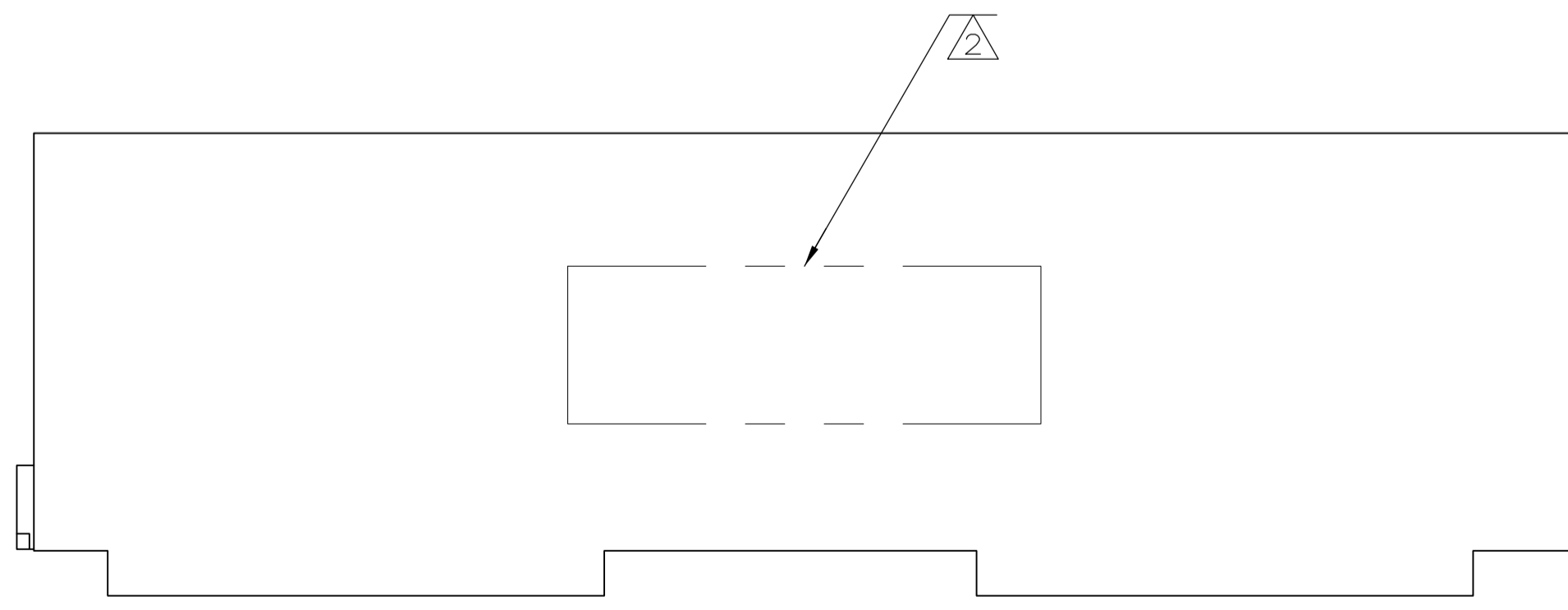
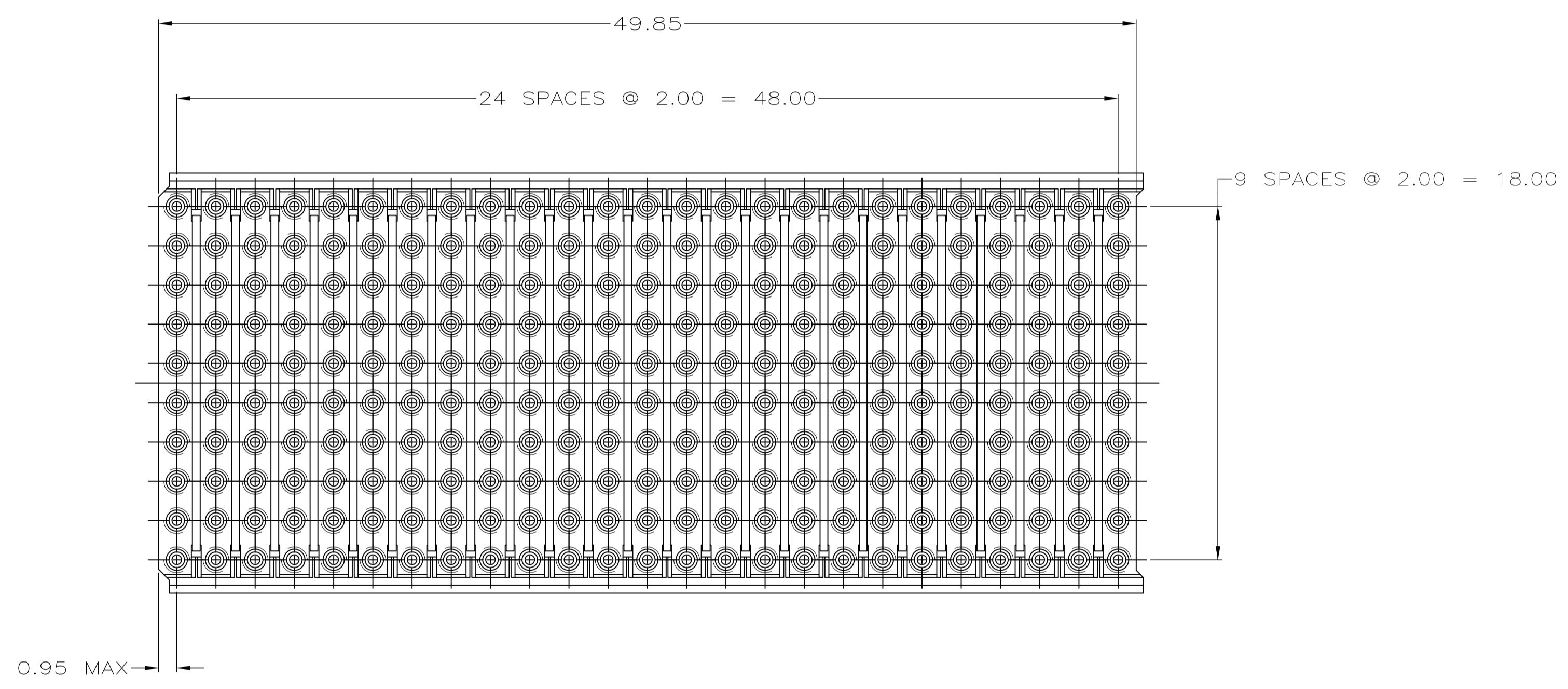


LOC		DIST		REVISIONS			
P	LTR	DESCRIPTION	DATE	DMN	APVD		
E		REVISED PER EC-07-027626	28NOV07	DH	JE		
E1		REVISED PER ECO-09-024606	03OCT09	KK	AEG		
F		ECR-10-019054	15SEP10	DP	MQW		



- △ MATERIAL: GLASS FILLED POLYESTER.
- △ PART NUMBER MARKED IN APPROXIMATE AREA SHOWN. ADDITIONAL CHARACTERS OR MARKINGS, AS WELL AS THE LOCATION OF THE MARKINGS, MAY BE ADDED FOR TRACEABILITY BASED UPON MANUFACTURERS DISCRETION.
- △ TO BE MEASURED AT BASE OF SHROUD.
- △ OBSOLETE PARTS: OBSOLETE CIS STREAMLINING PER D.RENAUD/D.SINISI



DIM Z	PART NUMBER
1.90	646477-7
1.70	646477-6
1.50	646477-5
1.30	646477-4
1.10	646477-3
0.90	646477-2
-	646477-1
DIM Z	PART NUMBER

THIS DRAWING IS A CONTROLLED DOCUMENT.		DIN T. SHUEY 9-29-98	Tyco Electronics Corporation Harrisburg, Pa 17105-3608	
DIMENSIONS: mm		CHK G. SKIPPER 11-23-98	APVD G. SKIPPER 11-23-98	
TOLERANCES UNLESS OTHERWISE SPECIFIED:		NAME: SHROUD,TYPE E,Z-PACK 2mm HM, 8 ROW,250 POSITION		
0-PLG ±	1-PLG ±	SIZE	CAGE CODE	DRAWING NO
2-PLG ±0.05 ±0.2	3-PLG ±	A1	00779	C=646477
4-PLG ±	ANGLES ±	WEIGHT	SCALE	SHEET
			5:1	1 OF 1
MATERIAL △ 1	FINISH -	CUSTOMER DRAWING	REV	F