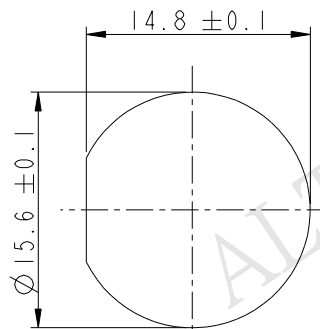
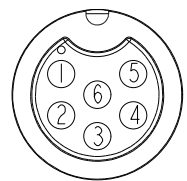
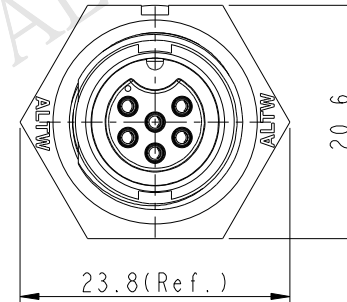
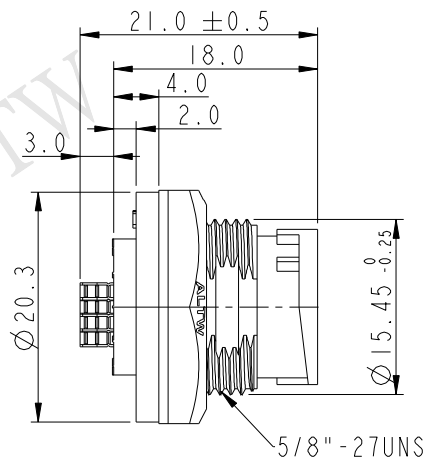
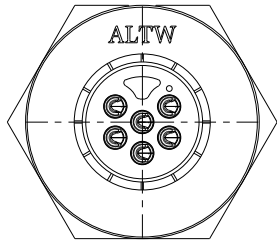


REV.	ECN NO.	DATE	SIGN	DESCRIPTION



Recommended Panel Cut-Out



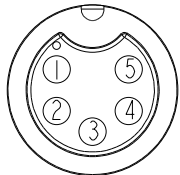
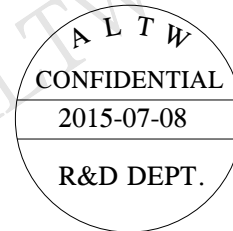
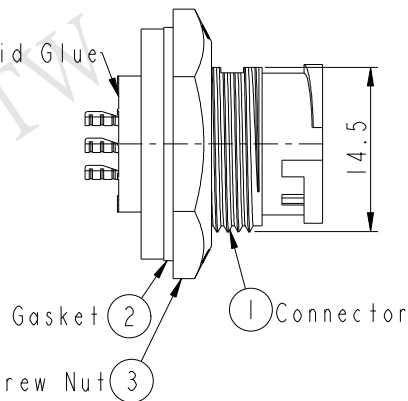
6 Pin  
Pin Assignments Front View

ABD-XXPMFS-LC7001

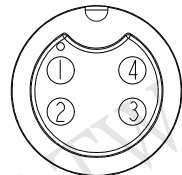
02: 2Pin

06: 6Pin

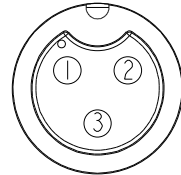
With Liquid Glue



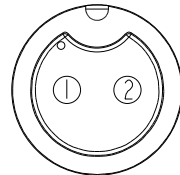
5 Pin



4 Pin



3 Pin



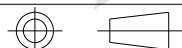
2 Pin

Pin Assignments Front View

Note:

- \* (Circled) Important Dimension To Check.
- \* Waterproof Rate: IP67
- \* Housing: Nylon+GF, Black
- \* Female Pin: Copper Alloy, Gold Plated.
- \* Screw Nut: Nylon+GF, Black
- \* Gasket: Silicone, Gray
- \* Use with waterproof cap or dust cap  
Maximum Panel Thickness: 2.8mm
- \* Use without waterproof cap or dust cap  
Maximum Panel Thickness: 4.0mm

UNIT: mm



TITLE STANDARD PANEL LOCK M CONN F PIN			
SCALE 3:2	SIZE A4	SHEET 1 OF 1	
REV. A	WC-REV. A.1	QC: Inspection item	

**Amphenol LTW**  
安費諾亮泰企業股份有限公司

ITEM NO.	DRAWN BY Jinhai	DATE 2015-07-08
DWG NO. ABD-XXPMFS-LC7001	CHECKED BY Rensong	DATE 2015-07-08
CUSTOMER ALTW	APPROVED BY Jerry	DATE 2015-07-08

THIS DOCUMENT IS SUBJECT TO CHANGE WITHOUT NOTICE. IT IS CONFIDENTIAL AND A PROPERTY OF AMPHENOL LTW. DISCLOSURE TO THIRD PARTY HAS TO BE AUTHORIZED BY AMPHENOL LTW.