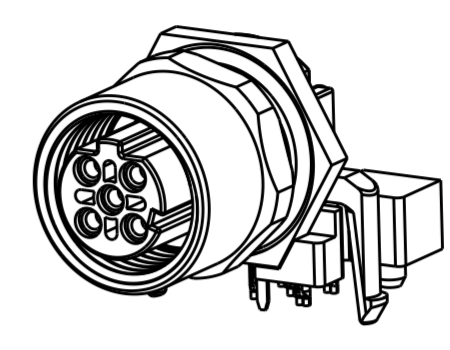
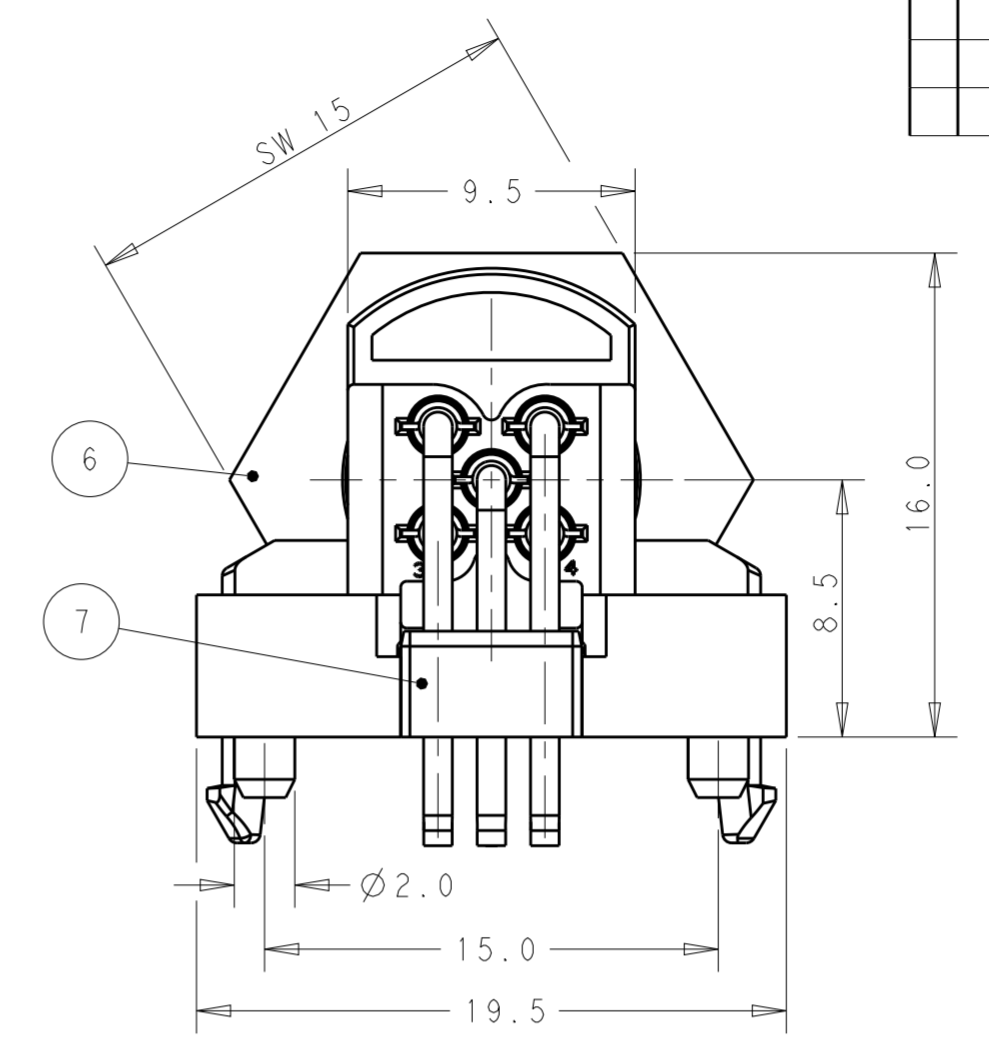
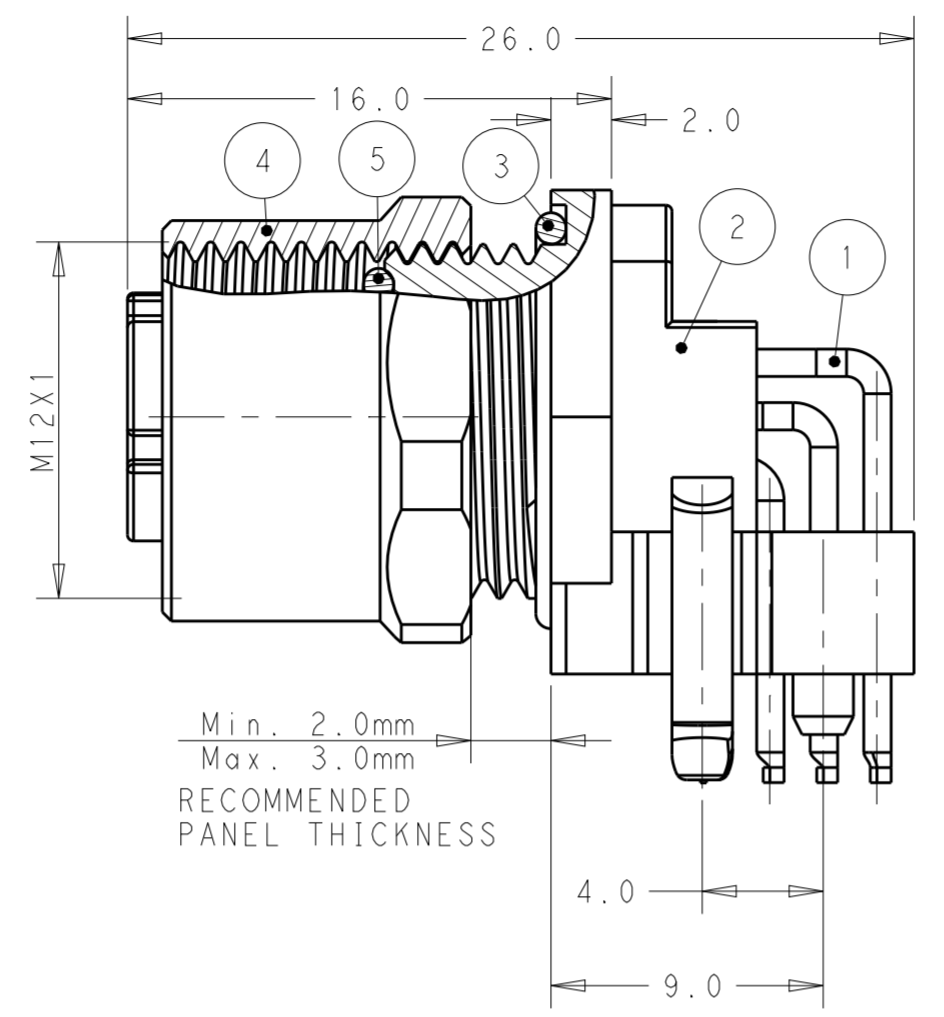
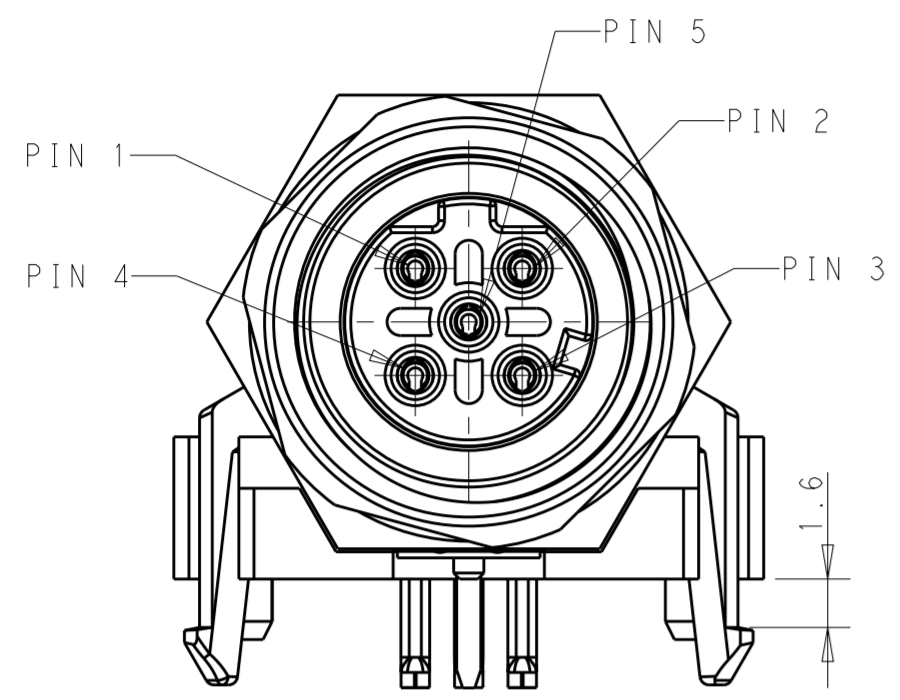


THIS DRAWING IS UNPUBLISHED. RELEASED FOR PUBLICATION 20
 © COPYRIGHT 20 BY - ALL RIGHTS RESERVED.

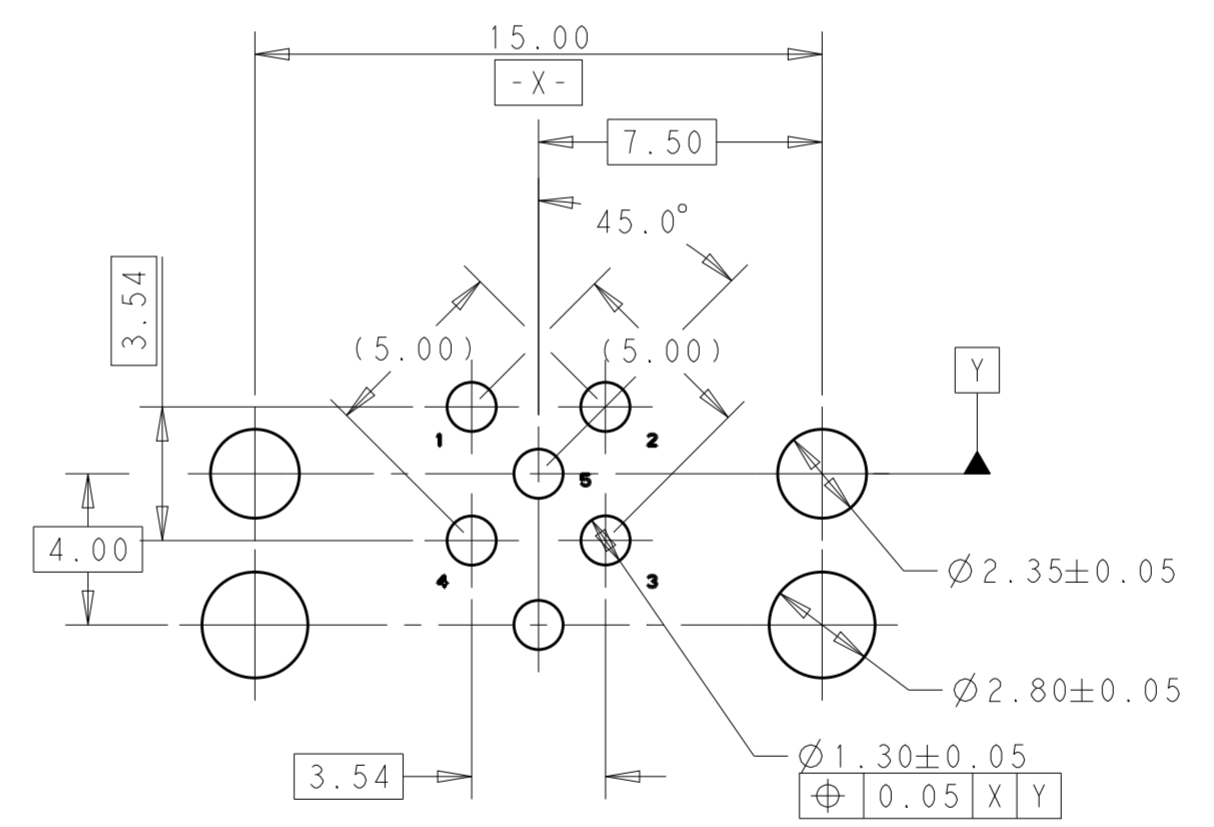
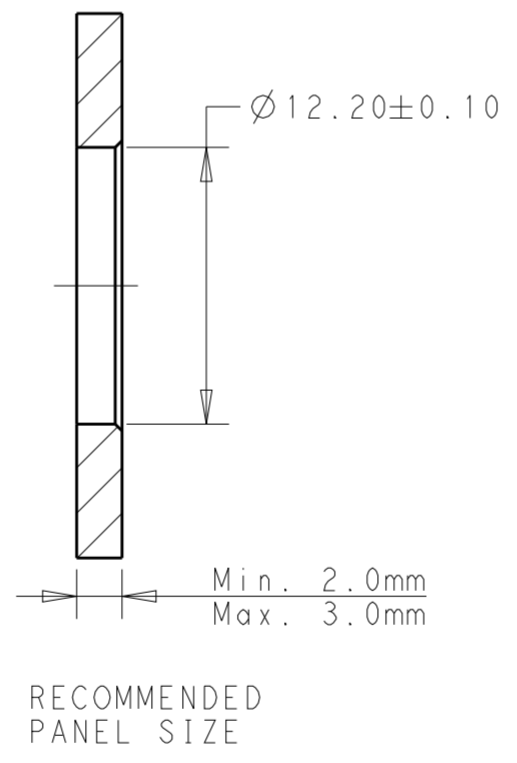
REVISIONS				
P	LTR	DESCRIPTION	DATE	APVD
A		INITIAL RELEASE	27OCT2016	N.P X.X



- NOTES:
1. TECHNICAL DATA: SEE TABLE 1
 2. PIN ARRANGEMENT: SEE TABLE 2
 3. RECOMMEND TORQUE 0.6Nm
 4. ALL PRODUCT MUST COMPLIANCE WITH ROHS AND REACH.

TABLE 1

TECHNICAL DATA	T4145535021-001	T4145535031-001	T4145535041-001	T4145535051-001
RATED VOLTAGE	250V	250V	250V	60V
TATED IMPULSE VOLTAGE	2500V	2500V	2500V	1500V
RATED CURRENT	4A	4A	4A	4A
POLLUTION DEGREE	3	3	3	3
OVERVOLTAGE CATEGORY	II	II	II	II
MATERIAL GROUP	II	II	II	II
CONTACT RESISTANCE	≤5mΩ	≤5mΩ	≤5mΩ	≤5mΩ
INSULATION RESISTANCE	>100MΩ	>100MΩ	>100MΩ	>100MΩ
DEGREE OF PROTECTION	IP67	IP67	IP67	IP67
OPERATION TEMPERATURE	-40~85°C	-40~85°C	-40~85°C	-40~85°C



RECOMMENDED PCB LAYOUT
 PCB THICKNESS: 1.6mm

- 注意事项
1. 技术参数：见表1
 2. PIN 针排布见表2；
 3. 推荐扭矩0.6Nm；
 4. 产品必须符合ROHS与REACH。

TABLE 2

PIN ARRANGEMENT D-CODE			
T4145535021-001	T4145535031-001	T4145535041-001	T4145535051-001

COMMENTS	MATERIAL	DESCRIPTION	ITEM
	COPPER ALLOY	SHIELDING	8
	PA66	SPACER	7
	COPPER ALLOY	NUT	6
	PRUBBER	O-RING	5
	COPPER ALLOY	COUPLING NUT	4
	RUBBER	O-RING	3
BALCK COLOR	PA66	HOUSING	2
GOLD FLASH	COPPER ALLOY	CONTACT	1

TYPE	POS.	PART NUMBER
RPC-M12D-FF-5CON-M12-LPSH1	5	T4145535051-001
RPC-M12D-FF-4CON-M12-LPSH1	4	T4145535041-001
RPC-M12D-FF-3CON-M12-LPSH1	3	T4145535031-001
RPC-M12D-FF-2CON-M12-LPSH1	2	T4145535021-001

THIS DRAWING IS A CONTROLLED DOCUMENT.		DWN Nick Pan 26AUG2016	TE Connectivity	
DIMENSIONS: mm		CHK Kobby Zhao 26AUG2016		
TOLERANCES UNLESS OTHERWISE SPECIFIED:		APVD Xiang Xu 26AUG2016	NAME M12 RECEPTACLE CONNECTOR, PCB ASSEMBLY, ANGLED, SHIELDED, D-CODE	
0 PLC ±		PRODUCT SPEC 108-106140	SIZE A2	
1 PLC ±0.25		APPLICATION SPEC	CAGE CODE -	
2 PLC ±0.15		WEIGHT -	DRAWING NO. ©-T41455350X1001	
3 PLC ±		CUSTOMER DRAWING	RESTRICTED TO -	
4 PLC ±		SCALE 5:1	SHEET 1 OF 1	
ANGLES ±			REV A	
FINISH -				