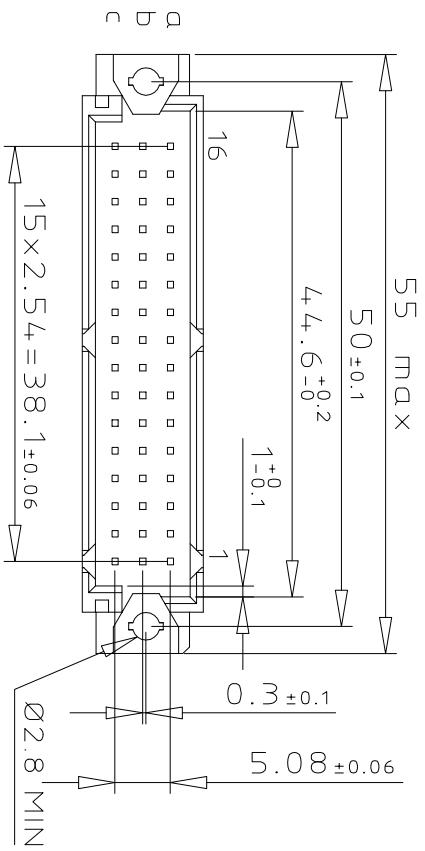
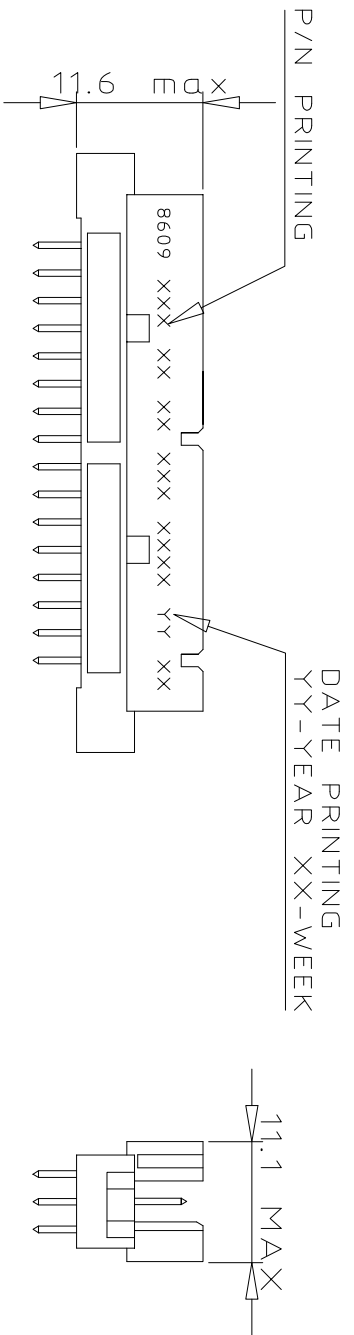
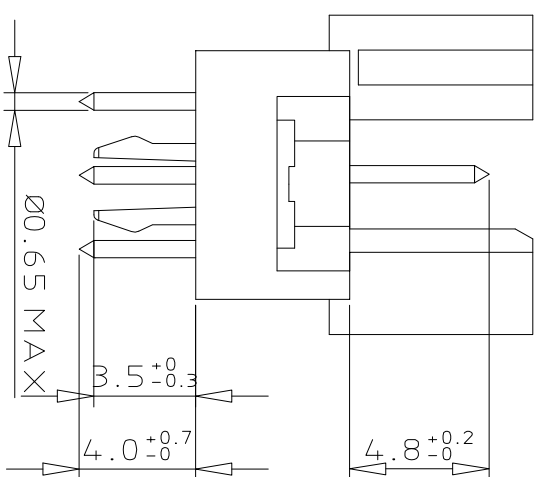


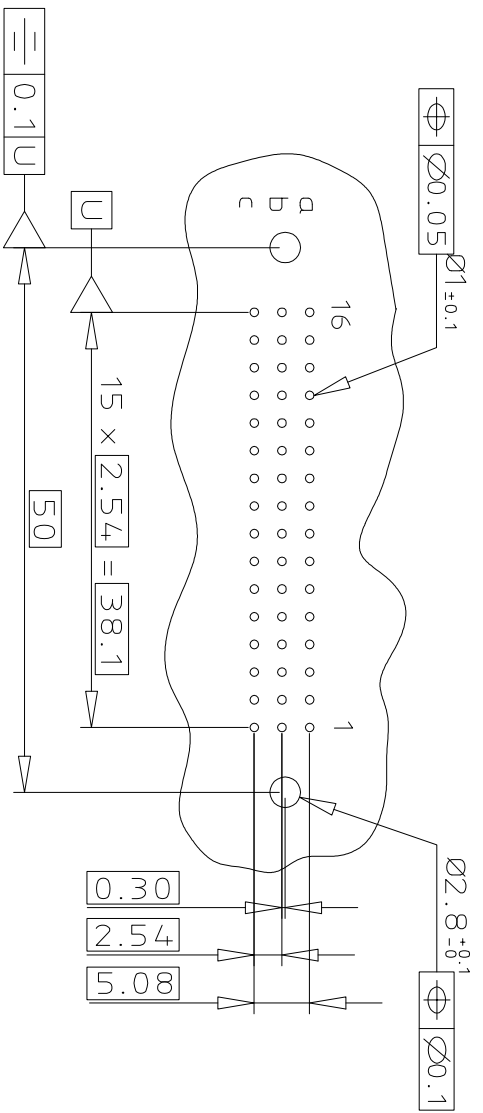
DIMENSIONS



TERMINATION



PCB LAYOUT



ORDERING INFORMATION

SERIES	8609	3	48	7	6	14	7	4	5	ELF
ROWS FITTED WITH CONTACTS										
ROW a	b	c								
ROW d	e	f								
NO. OF CONTACTS										
TYPE OF INSULATOR										
3 ROW MALE INSULATOR										
METHOD OF MOUNTING										
REVERSE MOUNTING - STYLE R/2										
TERMINATION										
STRAIGHT SPILL										
OPTIONS										
NO OPTION										
WITH HARPOONS										
PERFORMANCE CLASS										
DIN 41612 CLASS 3										
DIN 41612 CLASS 2										
DIN 41612 CLASS 1										
AS PER MIL C 55302 / JSS 50808										
PITCH PER ROW										
2.54 mm										
LEAD FREE VERSION										

GENERAL CHARACTERISTICS & ROHS INFO

REFER DRAWING C-8609-0000A

mat'l. code SEE DWG C-8609-0000A	surface ISO 1302	tolerance ISO 406 ISO 1101	projection mm	product family 8609					
tr	ecn	no	dr	ddte	tolerances unless otherwise specified	angles	linear	scale 3:2	title DIN REVERSE HEADER DIN 41612 STYLE R/2
A	104-0063	MINI	2004-09-17	2004-09-17	0.X	± 0.1			dwg no
B	105-0042	MINI	2005-05-19	2004-09-17	0.XX	± 0.1			sheet 1 of 1 size
C	106-0061	MINI	2006-05-31	0*2*	0.XXX	± 0.1			C-8609-2006
D	108-0146	KR	2008-10-21	dr					A3
		engr	RAKHEE G	2004-09-17					type Product Customer Drawing
		chr	KESAVAN R	2008-10-21					
		pppd	KESAVAN R	2008-10-21					
sheet index	revision	sheet	1						