

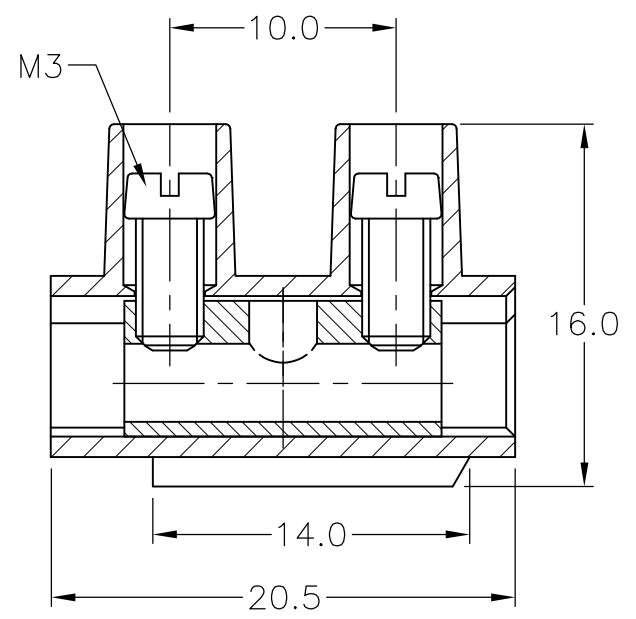
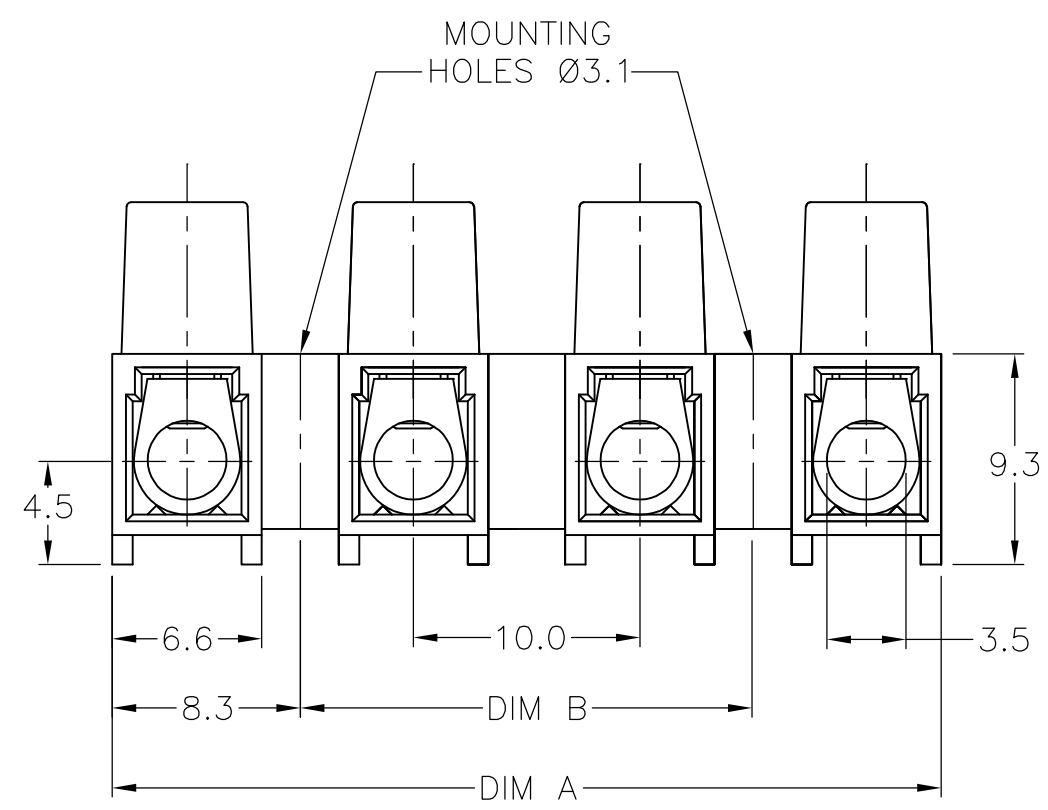
THIS DRAWING IS UNPUBLISHED. RELEASED FOR PUBLICATION  
 © COPYRIGHT BY TYCO ELECTRONICS CORPORATION. ALL INTERNATIONAL RIGHTS RESERVED.

LOC FT	DIST 0	REVISIONS				
P	LTR	DESCRIPTION	DATE	DWN	APVD	
	01	REVISED PER ECO-08-014554	11JUN08	HMR	CR	

MATERIAL:  
 HOUSING: POLYAMIDE 6, UL94V-2.  
 COLOR: NATURAL (OFF WHITE)  
 CONTACT: BRASS, TIN PLATED.  
 SCREW: M3, STEEL, ZINC PLATED W/ NON-HEXAVALENT CHROMATE (CHROME III).

ELECTRICAL:  
 CURRENT RATING: 30A.  
 OPERATING VOLTAGE: 250V.  
 WIRE RANGE: 10-22 AWG.  
 DIELECTRIC WITHSTAND: 3500V.

ENVIRONMENT:  
 CONTINUOUS WORKING TEMP.: -35°C TO +100°C



100	116.6	12	TSB500 1231	1-1776297-2
90	106.6	11	TSB500 1131	1-1776297-1
80	96.6	10	TSB500 1031	1-1776297-0
70	86.6	9	TSB500 0931	1776297-9
60	76.6	8	TSB500 0831	1776297-8
50	66.6	7	TSB500 0731	1776297-7
40	56.6	6	TSB500 0631	1776297-6
30	46.6	5	TSB500 0531	1776297-5
20	36.6	4	TSB500 0431	1776297-4
10	26.6	3	TSB500 0331	1776297-3
-	16.6	2	TSB500 0231	1776297-2
-	6.6	1	TSB500 0131	1776297-1
DIM B	DIM A	NO. OF POS.	CATALOG NUMBER	TE PART NUMBER

THIS DRAWING IS A CONTROLLED DOCUMENT.		DWN S SCHLEGEL 3/18/05	Tyco Electronics Corporation Harrisburg, PA 17105-3608			
DIMENSIONS: mm		CHK C RICHARD 3/18/05				
TOLERANCES UNLESS OTHERWISE SPECIFIED:		APVD C RICHARD 3/18/05	NAME EUROPA TERMINAL BLOCK, 10.0mm PITCH, MOUNTING HOLES Ø 3.1			
0 PLC ± - 1 PLC ± 0.3 2 PLC ± 0.25 3 PLC ± - 4 PLC ± - ANGLES ± 2°		PRODUCT SPEC -				
MATERIAL		APPLICATION SPEC -	SIZE A3	CAGE CODE 00779	DRAWING NO C-1776297	RESTRICTED TO -
FINISH		WEIGHT -	SCALE NTS		SHEET 1 OF 1	REV 01
CUSTOMER DRAWING						