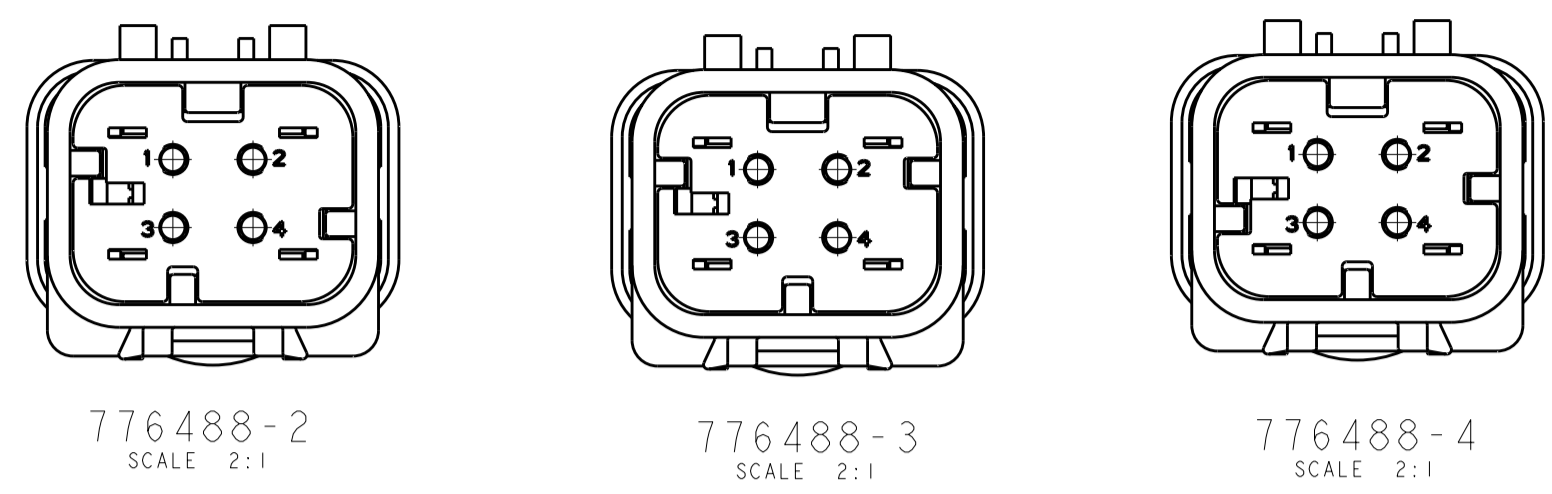
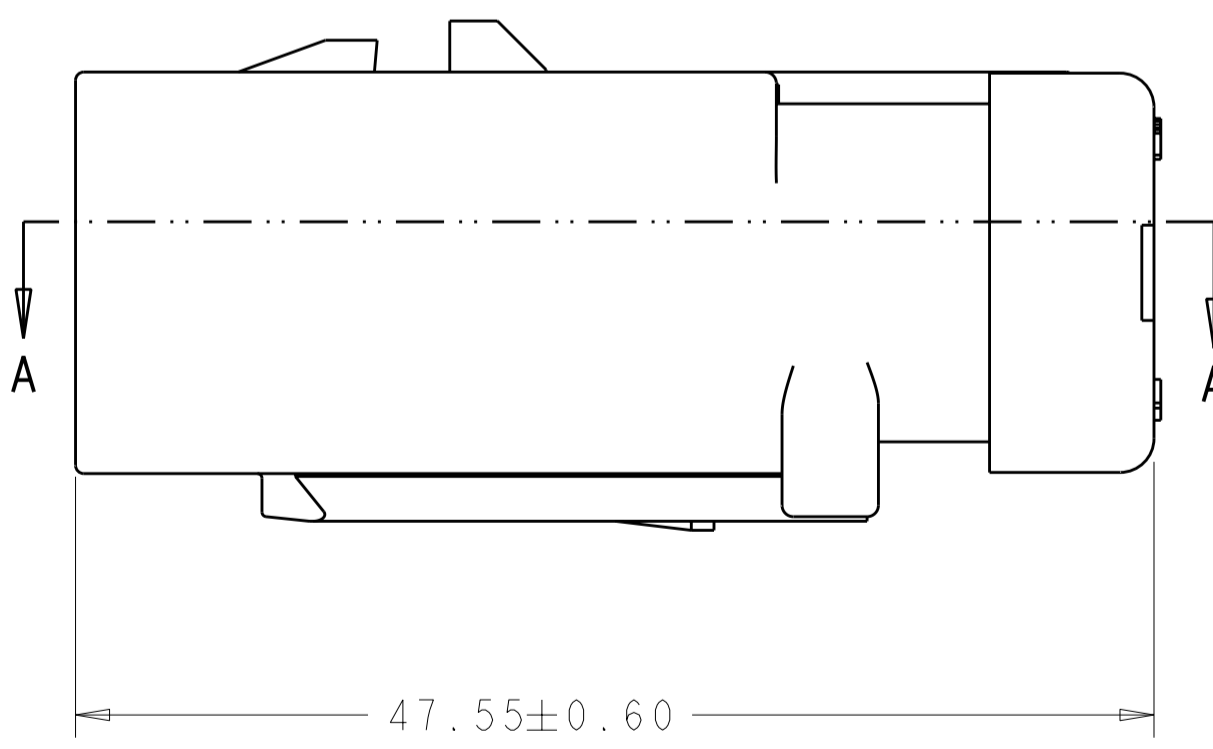
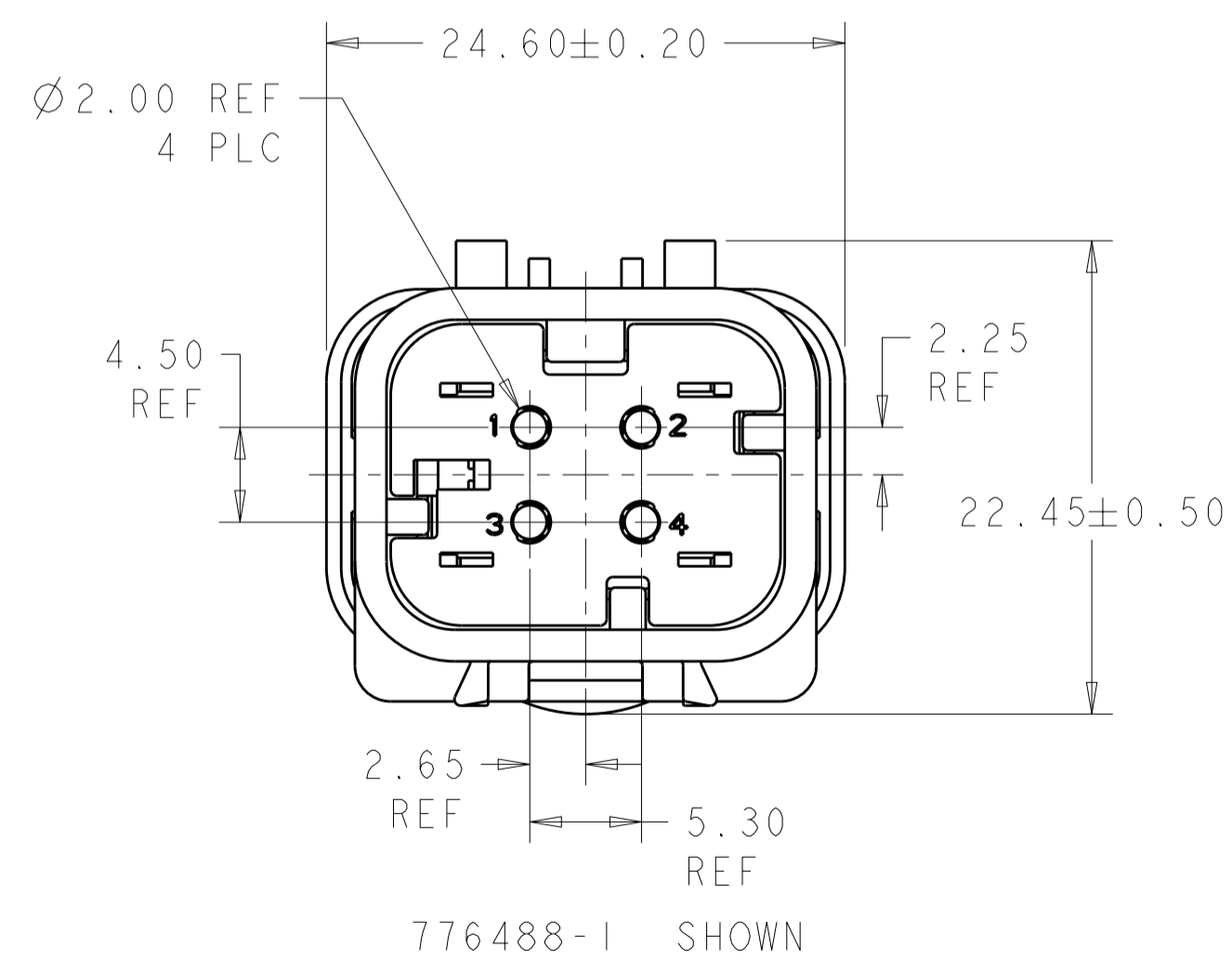
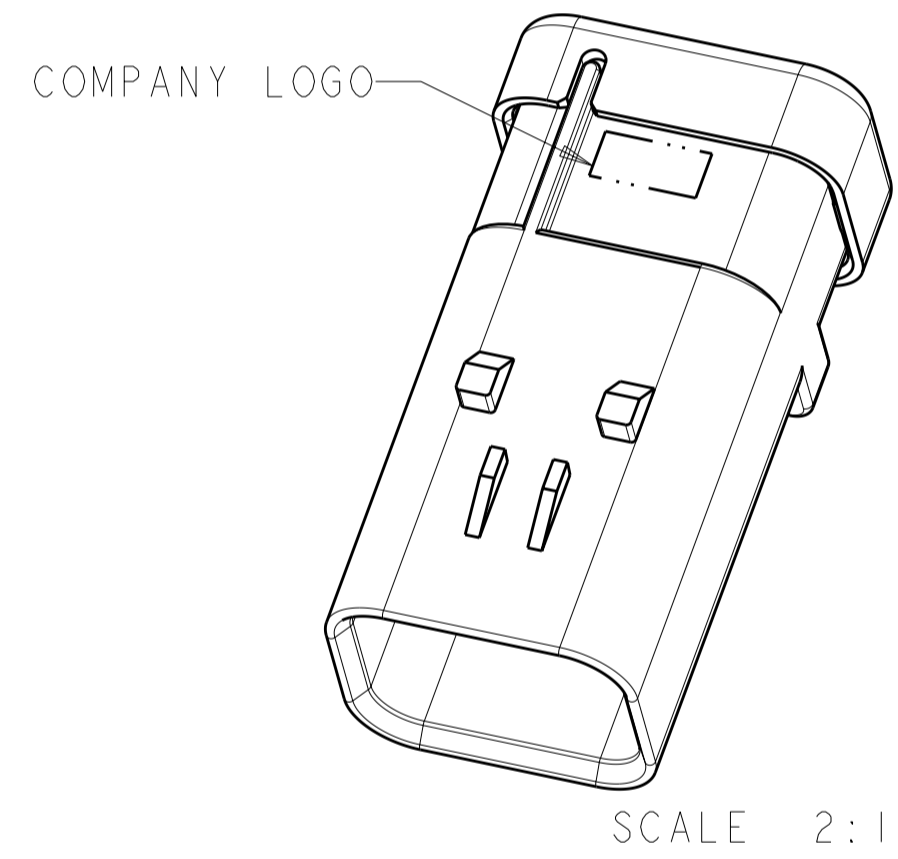
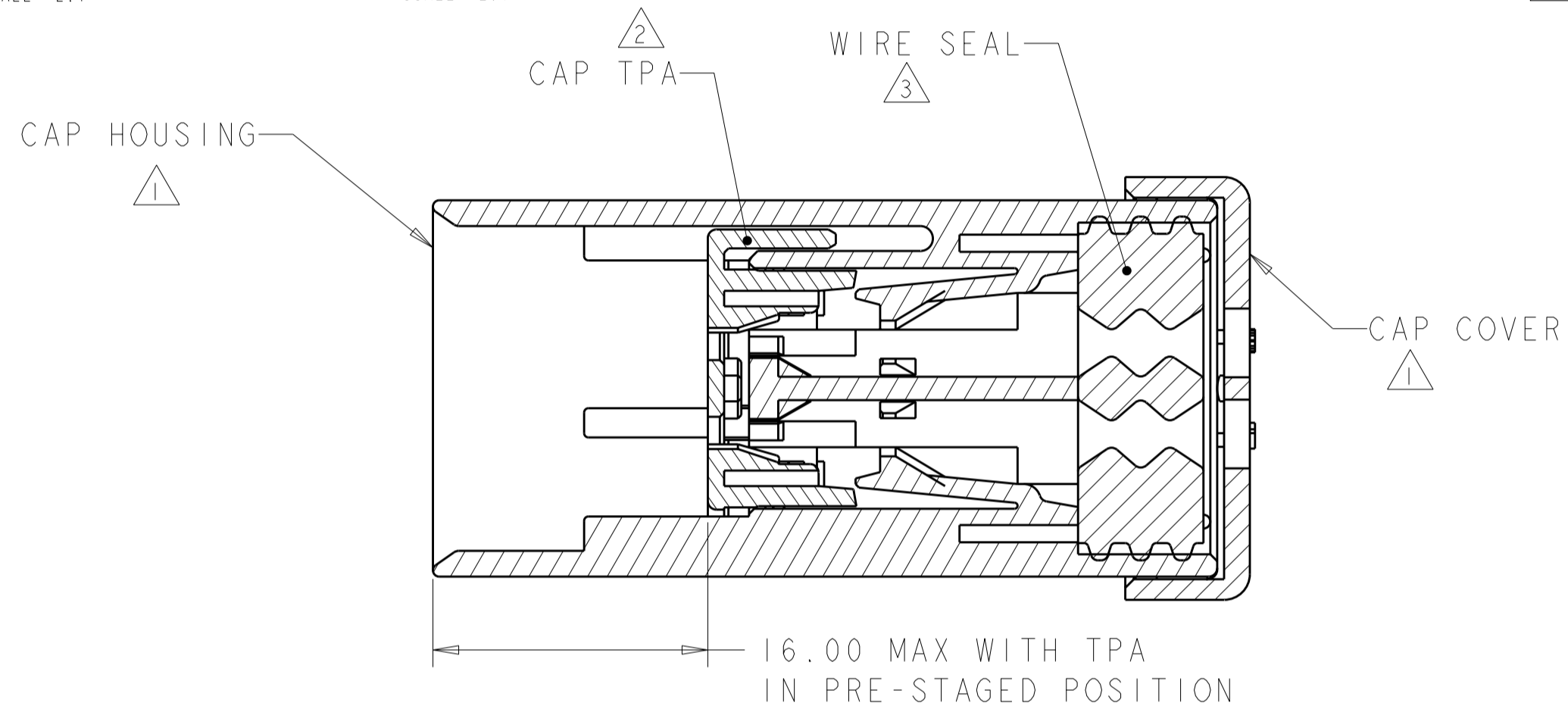


THIS DRAWING IS UNPUBLISHED. RELEASED FOR PUBLICATION
 © COPYRIGHT 20 BY - ALL RIGHTS RESERVED.

| LOC | DIST | REVISIONS | | | | | |
|-----|------|-----------|-----|---------------------------|-----------|-----|------|
| GE | 00 | P | LTR | DESCRIPTION | DATE | DWN | APVD |
| | | | C2 | REVISED PER ECO-11-005030 | 12MAR2011 | RK | HMR |



- ① MATERIAL: 15% GLASS FILLED THERMOPLASTIC
COLOR: BLACK
- ② MATERIAL: 15% GLASS FILLED THERMOPLASTIC
COLOR: (SEE TABLE)
- ③ MATERIAL: SILICONE
COLOR: YELLOW



| | |
|-----------|-------------|
| GREEN | 776488-4 |
| YELLOW | 776488-3 |
| GRAY | 776488-2 |
| RED | 776488-1 |
| TPA COLOR | PART NUMBER |

| | | | | |
|---------------------------------------------------------------------------|--|--------------------------------|--------------------------------------------------------------|------------------------|
| THIS DRAWING IS A CONTROLLED DOCUMENT. | | DWN W. HOELSCHER 16DEC02 | STE TE Connectivity | |
| DIMENSIONS: mm | | CHK B. SIMPSON 18DEC02 | | |
| TOLERANCES UNLESS OTHERWISE SPECIFIED: | | APVD D. KLEIN 18DEC02 | NAME CAP ASSEMBLY, 4 POSITION, DUAL ROW, AMPSEAL 16 | |
| 0 PLC ± 1 PLC ± 2 PLC ± 3 PLC ± 4 PLC ± ANGLES ± FINISH | | PRODUCT SPEC - | RESTRICTED TO - | |
| MATERIAL - | | APPLICATION SPEC 114-13065 | SIZE A200779 | DRAWING NO C-776488 |
| | | WEIGHT - | SCALE 3:1 | SHEET 1 OF 1 |
| | | CUSTOMER DRAWING | REV C2 | |