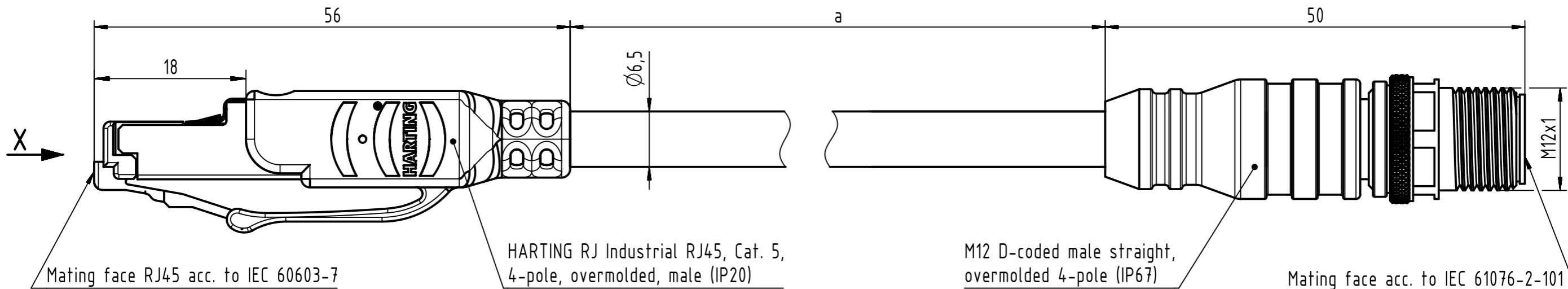


Connector Location A

Connector Location B

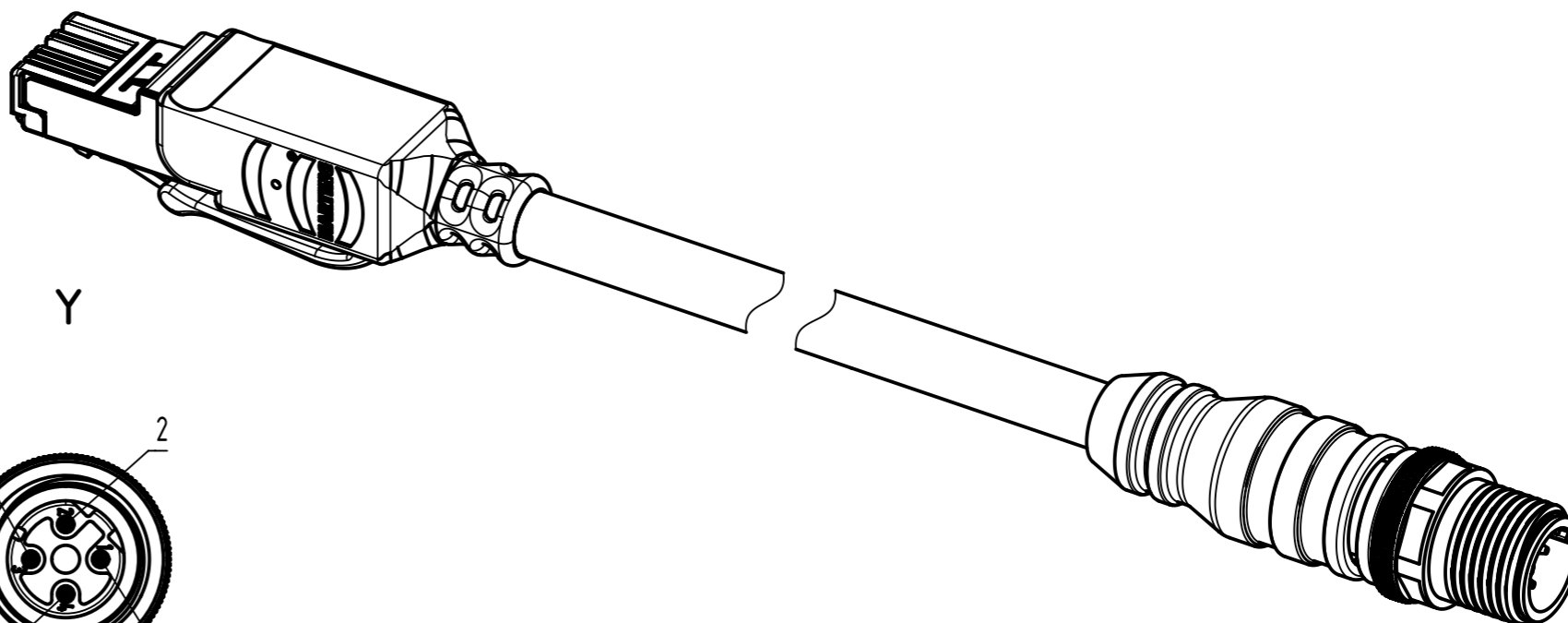


Mating face RJ45 acc. to IEC 60603-7

HARTING RJ Industrial RJ45, Cat. 5, 4-pole, overmolded, male (IP20)

M12 D-coded male straight, overmolded 4-pole (IP67)

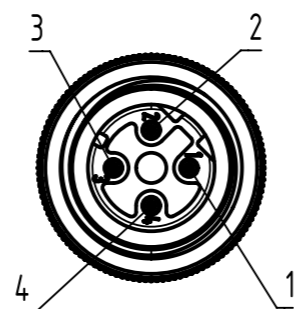
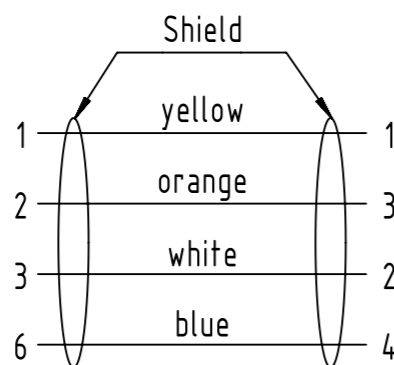
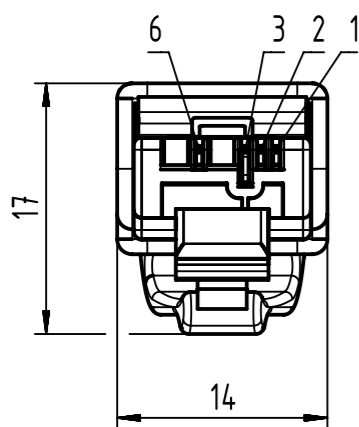
Mating face acc. to IEC 61076-2-101



X

Loading-Plan:

Y



- Temperature range: -30°C ... +70°C

	All rights reserved		Created by MUNTEANV		Inspected by COSTEA		Standardisation AVRAM		Date 2017-07-10		State Final Release	
	Department HCS - RO		Title M12 D-coded Cable Assembly		Type TB		Number 09457005XXX		Doc-Key / ECM-Nr. 100081060/UGD/044/E 500000121959		Rev. E Page 1/2	
HARTING Customised Solutions D-32427 Minden			Tech. Character.		Free size tol.			According to production drawing				

1	2	3	4	5	6	7	8
<p>RJI Ethernet stranded cable, AWG 22/7, 2x2x0.75, outdoor, PVC, Cat. 5+, black</p>				44	09457005070		7
				43	09457005069		6
				42	09457005090		5.5
				41	09457005068		5
				40	09457005089		4.1
				39	09457005067		4
				38	09457005088		3.6
				37	09457005066		3
				36	09457005084		2.8
				35	09457005065		2
				34	09457005064		1.5
				33	09457005087		1.4
				32	09457005086		1.3
				31	09457005063		1
				30	09457005062		0.5
				29	09457005061		100
				28	09457005060		90
				27	09457005059		80
				26	09457005058		70
				<p>RJI Ethernet trailing cable, AWG22/7, 2x2x0.75, PUR, Cat. 5+, green</p>			
24	09457005056		50				
23	09457005055		40				
22	09457005085		35				
21	09457005054		30				
20	09457005033		25				
19	09457005053		20				
18	09457005091		17				
17	09457005052		15				
16	09457005095		14				
15	09457005034		12.5				
14	09457005051		10				
13	09457005031		9				
12	09457005030		8				
11	09457005029		7				
10	09457005028		6				
9	09457005027		5				
8	09457005026		4				
7	09457005025		3				
6	09457005032		2.5				
5	09457005024		2				
4	09457005023		1.5				
3	09457005022		1				
2	09457005021		0.5				
1	09457005020		0.2				
Cont. no.	Part no.	Type of cable	Dim. a[m]				
				83	09457005183		100
				82	09457005182		90
				81	09457005181		80
				80	09457005180		70
				79	09457005179		60
				78	09457005178		50
				77	09457005177		40
				76	09457005176		30
				75	09457005185		25
				74	09457005175		20
				73	09457005174		15
				72	09457005173		10
				71	09457005172		9
				70	09457005171		8
				69	09457005170		7
				68	09457005169		6
				67	09457005168		5
				66	09457005167		4
				65	09457005166		3
				64	09457005165		2
				63	09457005164		1.5
				62	09457005163		1
				61	09457005162		0.5
				60	09457005083		100
				59	09457005082		90
				58	09457005081		80
				57	09457005080		70
				56	09457005079		60
				55	09457005078		50
				54	09457005077		40
				53	09457005094		35
				52	09457005093		31
				51	09457005076		30
				50	09457005092		25
				49	09457005075		20
				48	09457005074		15
				47	09457005073		10
				46	09457005072		9
				45	09457005071		8
Cont. no.	Part no.	Type of cable	Dim. a[m]				
				<p>RJI Ethernet stranded cable, 4xAWG22/7, PVC, Cat. 5+, green</p>			
				100			
				90			
				80			
				70			
				60			
				50			
				40			
				30			
				25			
				20			
				15			
				10			
				9			
				8			
				7			
				6			
				5			
				4			
				3			
				2			
				1.5			
				1			
				0.5			
				0.2			
Cont. no.	Part no.	Type of cable	Dim. a[m]				
				<p>RJI Ethernet stranded cable, AWG 22/7, 2x2x0.75, outdoor, PVC, Cat. 5+, black</p>			
				100			
				90			
				80			
				70			
				60			
				50			
				40			
				35			
				31			
				30			
				25			
				20			
				15			
				10			
				9			
				8			
Cont. no.	Part no.	Type of cable	Dim. a[m]				
				<p>RJI Ethernet stranded cable, AWG 22/7, 2x2x0.75, outdoor, PVC, Cat. 5+, black</p>			
				100			
				90			
				80			
				70			
				60			
				50			
				40			
				35			
				31			
				30			
				25			
				20			
				15			
				10			
				9			
				8			
Cont. no.	Part no.	Type of cable	Dim. a[m]				
				<p>RJI Ethernet stranded cable, AWG 22/7, 2x2x0.75, outdoor, PVC, Cat. 5+, black</p>			
				100			
				90			
				80			
				70			
				60			
				50			
				40			
				35			
				31			
				30			
				25			
				20			
				15			
				10			
				9			
				8			
Cont. no.	Part no.	Type of cable	Dim. a[m]				
				<p>RJI Ethernet stranded cable, AWG 22/7, 2x2x0.75, outdoor, PVC, Cat. 5+, black</p>			
				100			
				90			
				80			
				70			
				60			
				50			
				40			
				35			
				31			
				30			
				25			
				20			
				15			
				10			
				9			
				8			
Cont. no.	Part no.	Type of cable	Dim. a[m]				
				<p>RJI Ethernet stranded cable, AWG 22/7, 2x2x0.75, outdoor, PVC, Cat. 5+, black</p>			
				100			
				90			
				80			
				70			
				60			
				50			
				40			
				35			
				31			
				30			
				25			
				20			
				15			
				10			
				9			
				8			
Cont. no.	Part no.	Type of cable	Dim. a[m]				
				<p>RJI Ethernet stranded cable, AWG 22/7, 2x2x0.75, outdoor, PVC, Cat. 5+, black</p>			
				100			
				90			
				80			
				70			
				60			
				50			
				40			
				35			
				31			
				30			
				25			
				20			
				15			
				10			
				9			
				8			
Cont. no.	Part no.	Type of cable	Dim. a[m]				
				<p>RJI Ethernet stranded cable, AWG 22/7, 2x2x0.75, outdoor, PVC, Cat. 5+, black</p>			
				100			
				90			
				80			
				70			
				60			
				50			
				40			
				35			
				31			
				30			
				25			
				20			
				15			
				10			
				9			
				8			
Cont. no.	Part no.	Type of cable	Dim. a[m]				
				<p>RJI Ethernet stranded cable, AWG 22/7, 2x2x0.75, outdoor, PVC, Cat. 5+, black</p>			
				100			
				90			
				80			
				70			
				60			
				50			
				40			
				35			
				31			
				30			
				25			
				20			
				15			
				10			
				9			
				8			
Cont. no.	Part no.	Type of cable	Dim. a[m]				
				<p>RJI Ethernet stranded cable, AWG 22/7, 2x2x0.75, outdoor, PVC, Cat. 5+, black</p>			
				100			
				90			
				80			
				70			
				60			
				50			
				40			
				35			
				31			
				30			
				25			
				20			
				15			
				10			
				9			
				8			
Cont. no.	Part no.	Type of cable	Dim. a[m]				
				<p>RJI Ethernet stranded cable, AWG 22/7, 2x2x0.75, outdoor, PVC, Cat. 5+, black</p>			
				100			
				90			
				80			
				70			
				60			
				50			
				40			
				35			
				31			
				30			
				25			
				20			
				15			
				10			
				9			
				8			
Cont. no.	Part no.	Type of cable	Dim. a[m]				
				<p>RJI Ethernet stranded cable, AWG 22/7, 2x2x0.75, outdoor, PVC, Cat. 5+, black</p>			
				100			
				90			
				80			
				70			
				60			
				50			
				40			
				35			
				31			
				30			
				25			
				20			
				15			
				10			
				9			
				8			
Cont. no.	Part no.	Type of cable	Dim. a[m]				
				<p>RJI Ethernet stranded cable, AWG 22/7, 2x2x0.75, outdoor, PVC, Cat. 5+, black</p>			
				100			
				90			
				80			
				70			
				60			
				50			
				40			
				35			
				31			
				30			
				25			
				20			
				15			
				10			
				9			
				8			
Cont. no.	Part no.	Type of cable	Dim. a[m]				
				<p>RJI Ethernet stranded cable, AWG 22/7, 2x2x0.75, outdoor, PVC, Cat. 5+, black</p>			
				100			
				90			
				80			
				70			
				60			
				50			
				40			
				35			
				31			