

Miniature 10 Amps • 4PDT To MIL-PRF-83536

SPECIFICATIONS

GENERAL

Contact Arrangement 4PDT (4 Form C)
Weight.....3.0 oz approx.
 Designed to meet the requirements of MIL-PRF-83536

PERFORMANCE

Contact Rating (Note 1):

Resistive 10 Amps @ 28 VDC or
 115/208V 400 Hz
 (Case Grounded)
 Inductive 8 Amps @ 28 VDC or
 115/208V 400 Hz
 (Case Grounded)
 2.5 Amps @ 115/208V 60 Hz
 (Case Grounded)
 Motor..... 4 Amps @ 28 VDC or
 115/208V 400 Hz
 (Case Grounded)
 2 Amps @ 115/208V 60 Hz
 (Case Grounded)
 Lamp 2 Amps @ 28 VDC or
 115/208V 400 Hz
 (Case Grounded)
 1.5 Amps @ 115/208V 60 Hz
 (Case Grounded)

Life100,000 operations minimum @ rated
 resistive load, 125°C
Pull In Power500 mw approx.

Operate/Release Time: **DC Coil** **AC Coil**
 15 ms max 50 ms max
 Excluding bounce time at nominal coil voltage

Contact Bounce Time..... 1 ms max
 @ rated contact load, 28 VDC

Contact Voltage Drop:

Before Life 150 mv max @ 10 Amps
 and 6 VDC
 After Life 175 mv max @ 10 Amps
 and 6 VDC

ENVIRONMENTAL

Temperature Range..... -70°C to +125°C
Vibration (Note 2)..... 0.12" DA 10 - 70 Hz
 30 G's 70 - 3,000 Hz
Shock (Operating)(Note 2) 200 G's 6 ms

ELECTRICAL CHARACTERISTICS

Duty Cycle.....Continuous
Insulation Resistance 100 megohms
 @ 500V 25°C

Dielectric Strength:

Sea Level:
 Contact to Case 1,250 VRMS
 Contact to Coil 1,250 VRMS
 Coil to Case 1,000 VRMS
 Across Open Contacts 1,250 VRMS
 80,000 Feet:
 All Points 350 VRMS

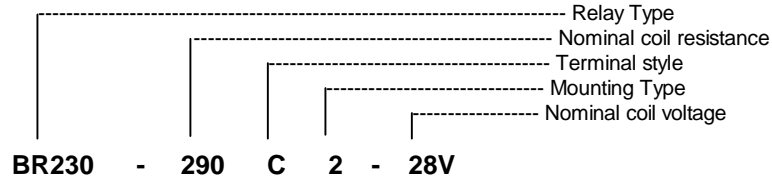
MIL-PRF-83536/15 QUALIFIED to ER level M

Notes:

- For other ratings consult the factory.
- For applications requiring higher shock and vibration, consult the factory.
- AC coil line frequency 50 to 400 Hz.

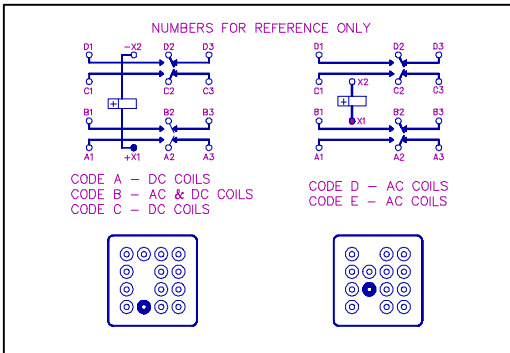
COIL DATA:

MODEL BR230 PART NUMBER	BR230-20()-6V	BR230-78()-12V	BR230-290()-28V	BR230-890()-48V	BR230AC-()-115V (Note 3)
NOMINAL COIL VOLTAGE	6 VDC	12 VDC	28 VDC	48 VDC	115 VAC
MAXIMUM COIL VOLTAGE	8 VDC	15 VDC	29 VDC	59 VDC	122 VAC
PULL IN VOLTAGE (MAX @ +125°C)	4.5 VDC	9 VDC	18 VDC	36 VDC	90 VAC
DROP OUT VOLTAGE (MAX)	1.8 VDC	3.5 VDC	5.1 VDC	11 VDC	5 - 30 VAC
COIL RESISTANCE ± 10% @ 25°C	20 OHMS	78 OHMS	290 OHMS	890 OHMS	I = 0.04 AMPS

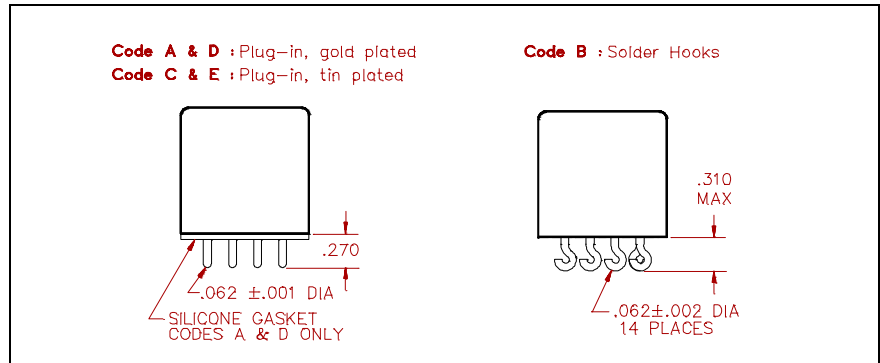


SCHEMATIC

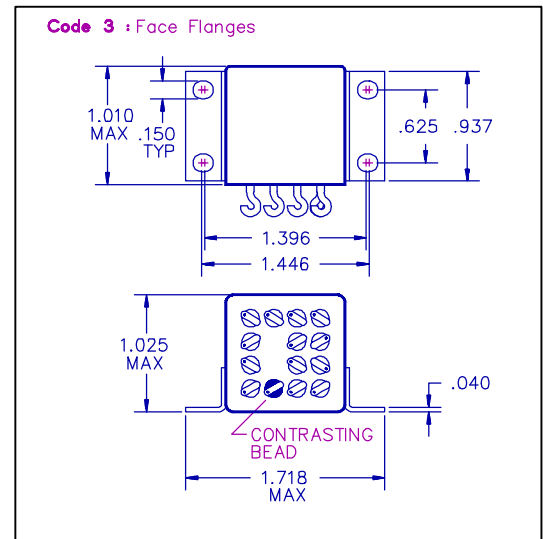
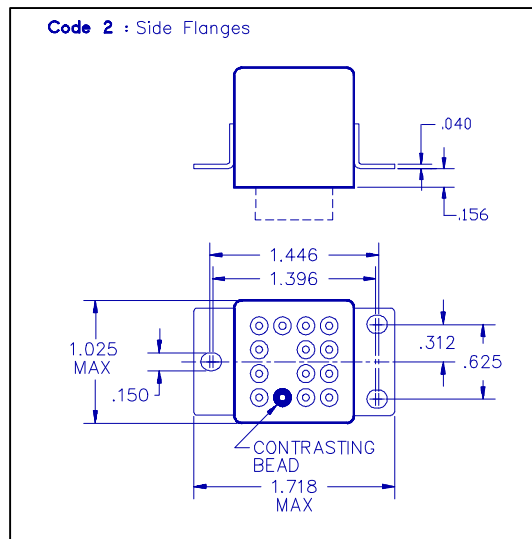
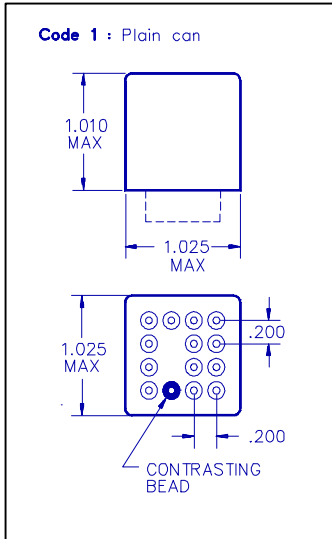
TERMINAL VIEWS



TERMINAL STYLES



MOUNTING CODES



GENERAL NOTES

- Unless otherwise specified, all tests made at nominal coil voltages, @ 25°C.
- For special coil variations, switching configurations, terminals styles and mounting types, consult the factory.
- Unless otherwise specified, tolerances on decimal dimensions are ± .010".
- Specifications contained herein are subject to change without notice.