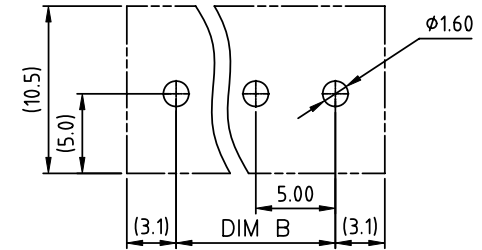
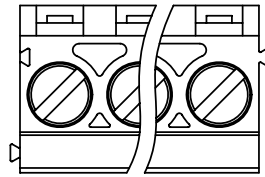
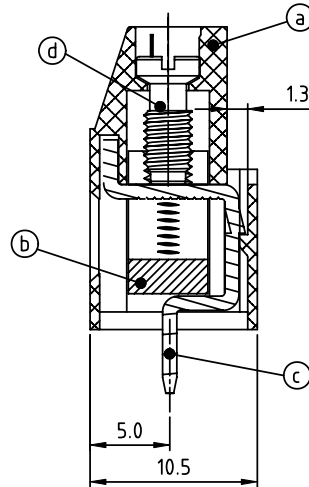
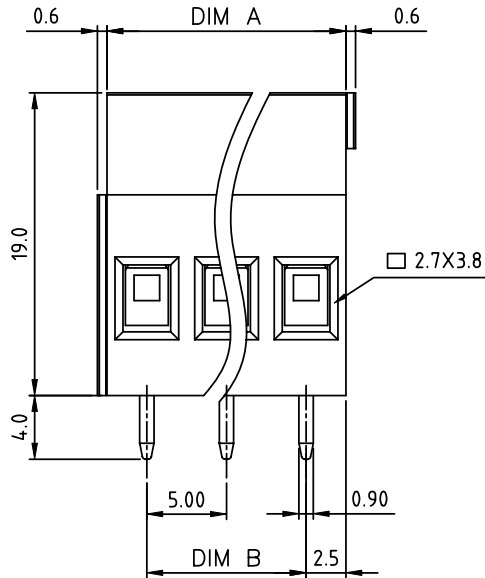


PRODUCT NUMBER	PITCH
VJxx01x200J0G	5.00mm



RECOMMENDED P.C.B LAYOUT
TOP VIEW



Material:

- Item (a) Terminal housing: Thermoplastic (UL 94V-0)
- Item (b) Clamp: Brass Ni plated
- Item (c) Solder pin: Brass Tin plated
- Item (d) Terminal screw: Steel Zinc plating - "slot type"

Electrical cULus / VDE

- Voltage rating: 300VAC / 450V
- Current rating: 20A / 24A
- Wire range: 0.2-2.5mm²
- Solid wire(AWG): 12-30
- Stranded wire(AWG): 12-30
- Torque: 3.5 Lb-In / 0.5 N.m
- Screw: M3
- Wire strip length: 6-7mm
- Withstanding Voltage: 1.6KV / 2.5KV
- Operating temperature: -40°C to +115°C
- Soldering temperature: 260°C±5°C/5 Sec
- Safety Approval:

PART NO.: VJ xx 0 1 x 2 00J0 G

Dimension A&B

DIM A	Nx5.0
DIM B	(N-1)x5.0

N=Number of poles

Poles	DimA&B Tolerance
2P-4P	±0.15
5P-8P	±0.25
9P-16P	±0.35
17P-24P	±0.40

	End stackable	No. of poles	Color	RoHS compliant (lead=4%) In copper Alloy
0	Black (RAL9005)			
2	Red (RAL3001/D)	02	2 poles	
3	Orange(RAL2011/P)	03	3 poles	
4	Yellow(RAL1018/A)	04	4 poles	
5	Green(RAL6018/T)	05	5 poles	
6	Blue (RAL5015/A)	06	6 poles	
8	Grey(RAL7035/D)	08	8 poles	
9	White(RAL1102)	09	9 poles	
C	Green(RAL6018/U)	24	24 poles	

mat'l. code		surface ASME Y14.5	tolerance ASME Y14.5	projection	product family
ltr ecn no dr date		tolerances unless otherwise specified			TERMINAL BLOCK
angles		X.±0.5		MM	title
X°±1'		X.X±0.3			TERMINAL BLOCK
dr		X.XX±0.1		scale	RISING CLAMP,180D WIRE INLET,END STACKABLE
engr					dwg no
chr					sheet 1 of 1 size
appd					VJxx01x200J0G A4
sheet index		revision	A		type
sheet		1			CUSTOMER Drawing