

THIS DRAWING IS UNPUBLISHED.

RELEASED FOR PUBLICATION

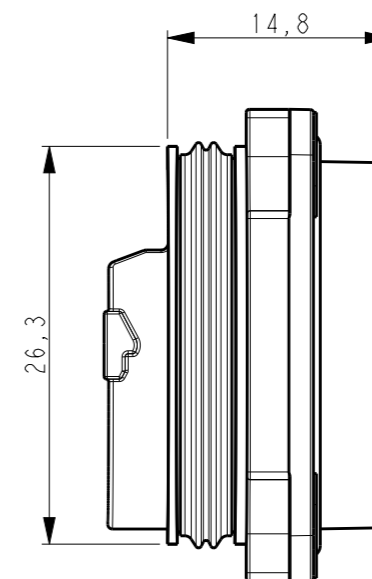
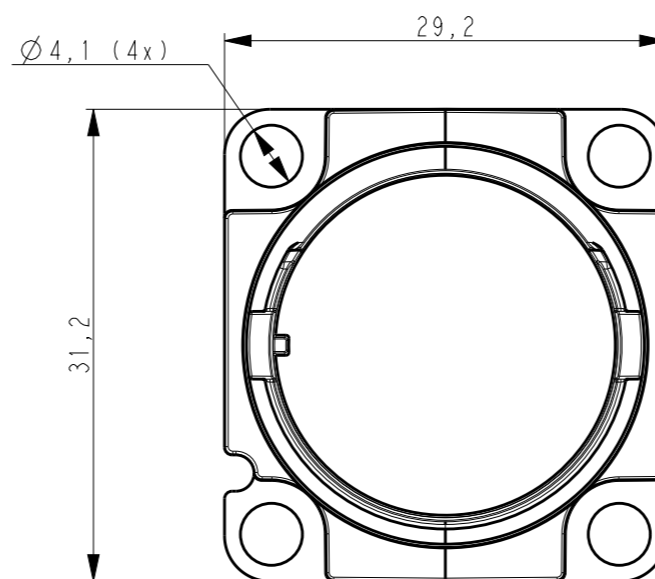
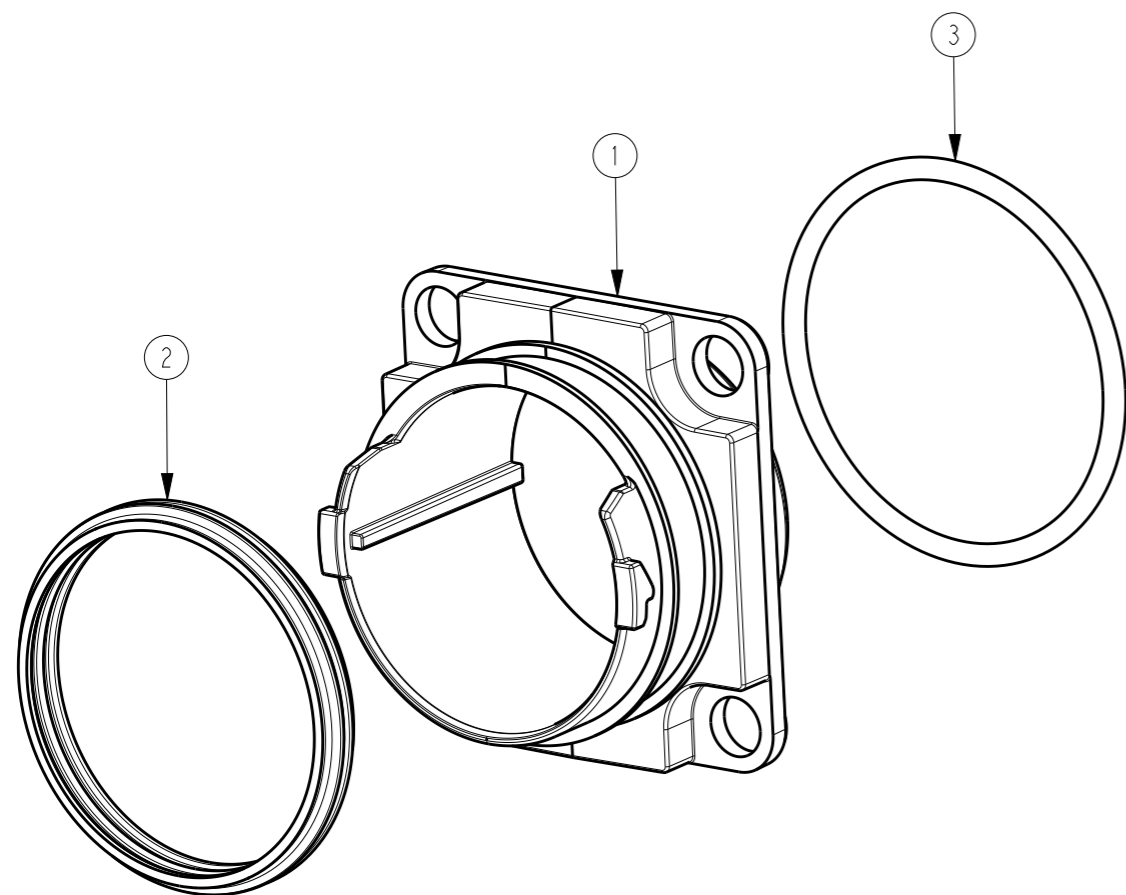
2014

© COPYRIGHT 2014 BY -

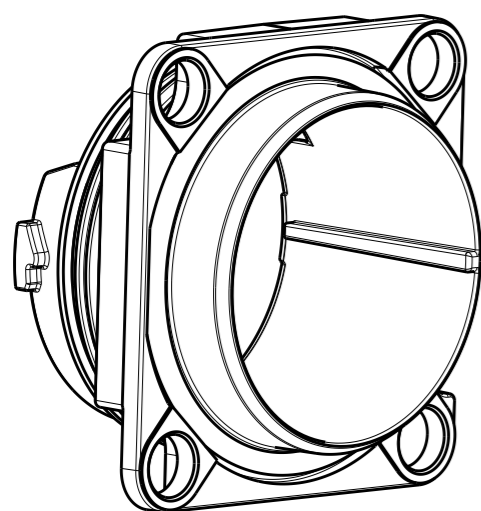
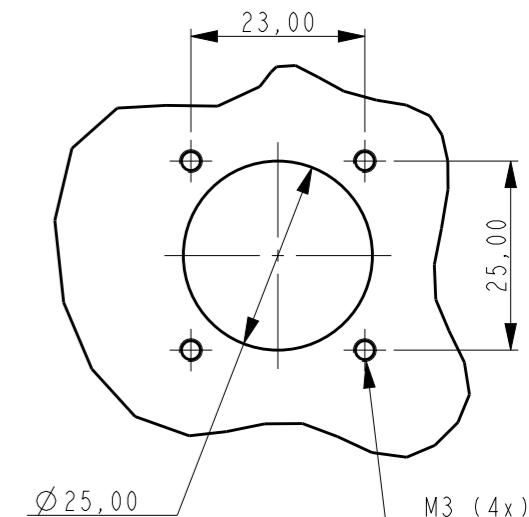
ALL RIGHTS RESERVED.

REVISIONS

P	LTR	DESCRIPTION	DATE	DWN	APVD
	A	RELEASE	02NOV2016	KZ	RS



Recommended panel cutout
Use correct screws
Scale 1:1



2061981-1 AS SHOWN

ASSEMBLED FULLAXS MINI BULKHEAD

1	FOAC FULLAXS MINI O-RING	3
1	FOAC FULLAXS MINI PERIPHERAL SEAL	2
1	FOAC FULLAXS MINI BULKHEAD, PLATED	1
Qty	Description	Item

THIS DRAWING IS A CONTROLLED DOCUMENT.

DWN R. COOLEN 24MAR2015

CHK B. MOOIJ

APVD S. BORGAS

PRODUCT SPEC

APPLICATION SPEC

WEIGHT

CUSTOMER DRAWING



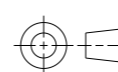
NAME FULLAXS MINI BULKHEAD

SIZE A3 CAGE CODE - DRAWING NO C-2061981 RESTRICTED TO -

SCALE 2:1 SHEET 1 OF 1 REV A

DIMENSIONS:

mm



TOLERANCES UNLESS OTHERWISE SPECIFIED:

0 PLC	±0,2
1 PLC	±0,1
2 PLC	±0,05
3 PLC	±0,025
4 PLC	±0,005
ANGLES	±2°

MATERIAL

FINISH