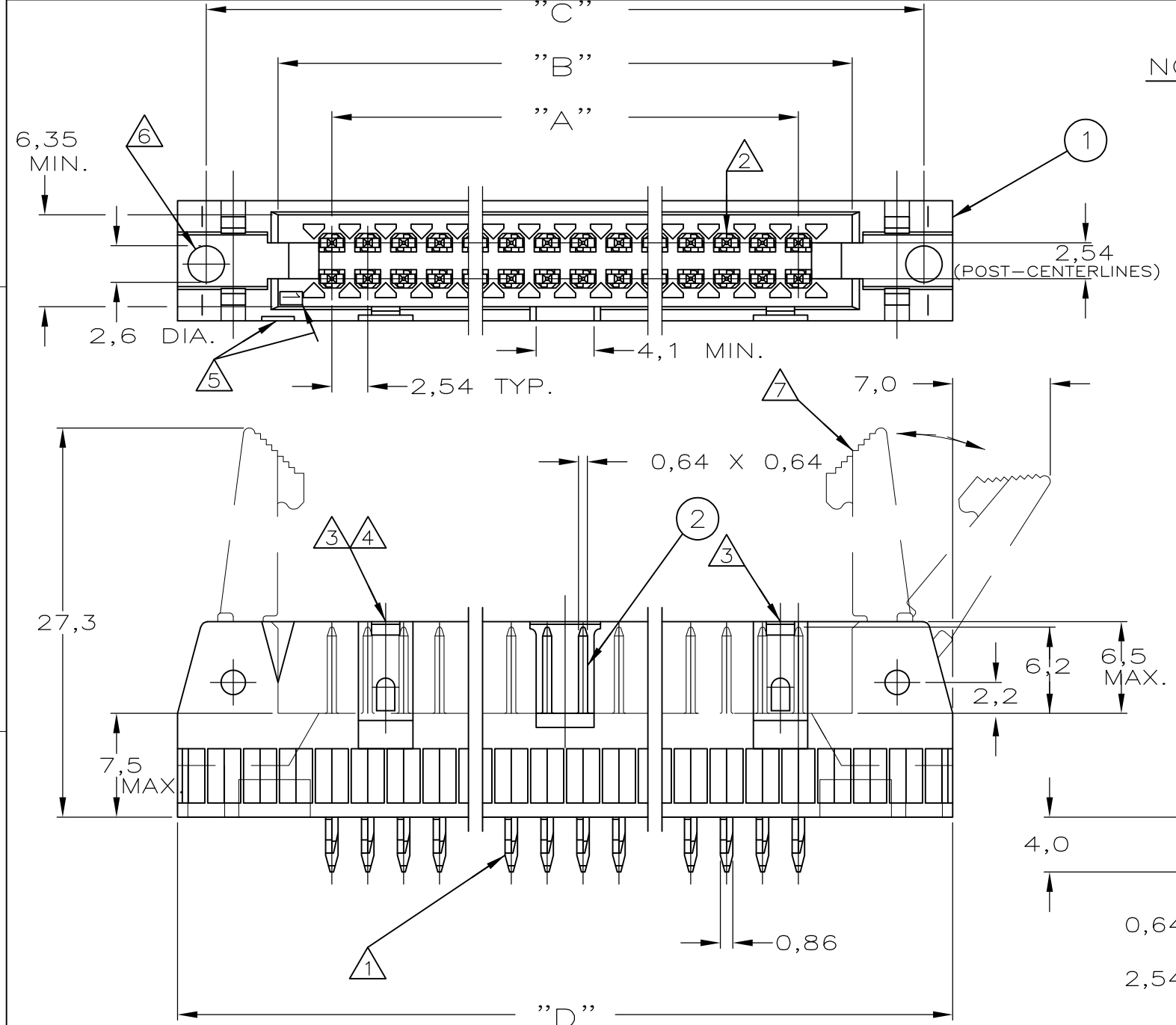


THIS DRAWING IS UNPUBLISHED. RELEASED FOR PUBLICATION
 © COPYRIGHT - By - ALL RIGHTS RESERVED.

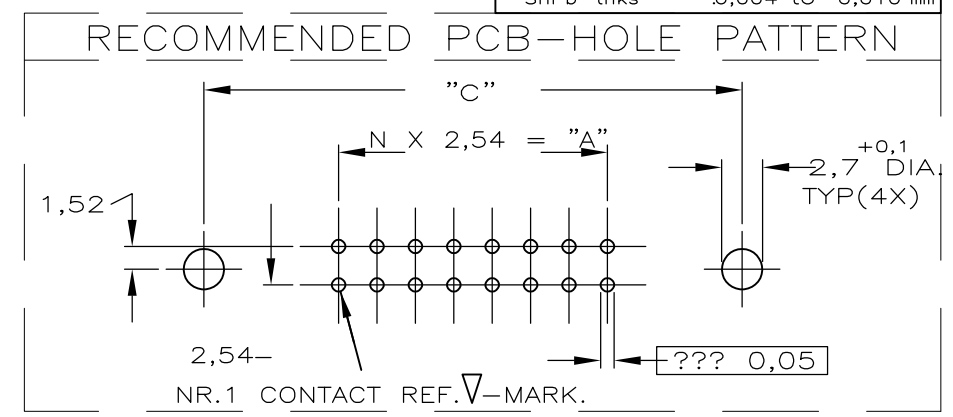
LOC	DIST	REVISIONS					
GP	00	P	LTR	DESCRIPTION	DATE	DWN	APVD
		D		REVISED PER ECO-13-000466	25FEB2013	CJV	SLB



NOTES:

- ① ACTION-PINS FOR APPLICATION IN 1,6 / 2,4 mm THICK PC-BOARDS. FOR REQUIREMENTS UPON PCB HOLE-DIMENSIONS SEE RECOMMENDED MOUNTING-HOLE PATTERN.
- ② THESE HEADERS ARE DESIGNED TO MATE WITH EUROPEAN-STYLE AMP-LATCH RECEPTACLE CONNECTORS.
- ③ SNAP-IN POLARIZERS PN. 927636-1 OR 927637-1 CAN BE APPLIED.
- ④ THERE IS NO WINDOW FOR SNAP-IN POLARIZERS AT THIS END IN 10 AND 14 POS. HEADERS.
- ⑤ INDICATION OF FIRST POSITION.
- ⑥ SPECIAL-HEAD MOUNTING-SCREW PN. 826712-2 CAN BE APPLIED.
- ⑦ SNAP-IN CONNECTOR "LATCH / EJECTOR" PN. 927176-1, 927215-1, 927216-1 OR 927217-1 CAN BE APPLIED.

P.C.B. HOLE DIM. ACTION PIN	
DRILLED HOLE	:1,15 ±0,025 mm
FIN. HOLE	:0,94 to 1,09 mm
AFTER REFLOW	:0,91 to 1,09 mm
Cu-thks	:0,25 to 0,75 mm
SnPb-thks	:0,004 to 0,010 mm



② PIN-CONTACT	PHOSPHORBRONZE	MATING-END: 0,8µ GOLD OVER 1,27µ NICKEL BOARD SIDE: 1,27µ TIN OVER 1,27µ NICKEL
① HOUSING	THERMOPLASTIC POLYESTER	BLACK
COMPONENT NAME	MATERIAL	PLATING / COLOUR

	100,6	96,5	86,4	78,74	31	64	6-215243-4
OBSOLETE	95,5	91,4	81,3	73,66	29	60	6-215243-0
OBSOLETE	82,8	78,7	68,6	60,96	24	50	5-215243-0
	75,2	71,1	61,0	53,34	21	44	4-215243-4
	70,1	66,0	55,9	48,26	19	40	4-215243-0
	62,5	58,4	48,3	40,64	16	34	3-215243-4
	52,3	48,3	38,1	30,48	12	26	2-215243-6
	44,7	40,6	30,5	22,86	9	20	2-215243-0
	39,6	35,6	25,4	17,78	7	16	1-215243-6
OBSOLETE	37,1	33,0	22,9	15,24	6	14	1-215243-4
	32,0	27,9	17,8	10,16	4	10	1-215243-0
	DIM. "D"	DIM. "C"	DIM. "B"	DIM. "A"	"N"	NR. OF POS.	PARTNUMBER
VARIABLE CONNECTOR DIMENSIONS							

THIS DRAWING IS A CONTROLLED DOCUMENT. DIMENSIONING AND TOLERANCING PER ASME Y14.5M-2009

DIMENSIONS:	TOLERANCES UNLESS OTHERWISE SPECIFIED:
mm	
0 PLC	± -
1 PLC	± -
2 PLC	± -
3 PLC	± -
4 PLC	± -
ANGLES	± -
MATERIAL	FINISH
-	-

DWN	W.R.VERBEET.	26-11'86	STE TE Connectivity			
CHK	R.VERSTIJNEN.	-				
APVD	-	-				
PRODUCT SPEC	-	-				
APPLICATION SPEC	-	-	AMP-LATCH UNIVERSAL EJECTION-STYLE ACTION PIN HEADERS.			
WEIGHT	-	-	SIZE	CAGE CODE	DRAWING NO	RESTRICTED TO
CUSTOMER DRAWING	-	-	A3	00779	C-215243	-
SCALE	-	SHEET	1 OF 1	REV	D	