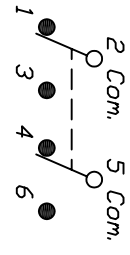


RECOMMENDED PANEL MOUNTING

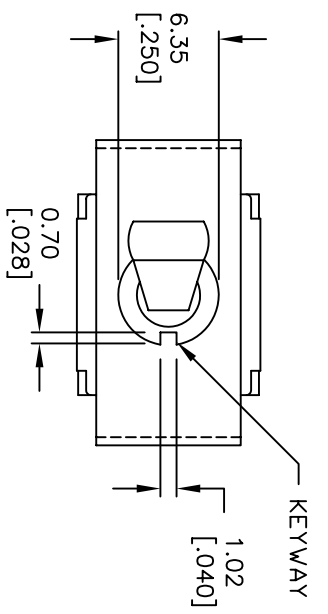


CIRCUIT: DPDT

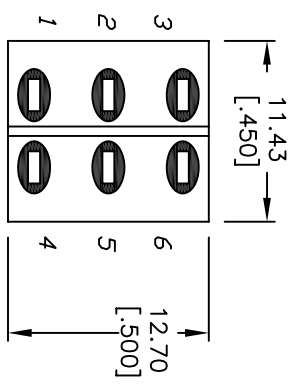
SWITCH FUNCTION ▲		
POS. 1	POS. 2	POS. 3
(DN)	DNF	(DN)
2-3,5-6	2-3,5-4	2-1,5-4

NOTES:

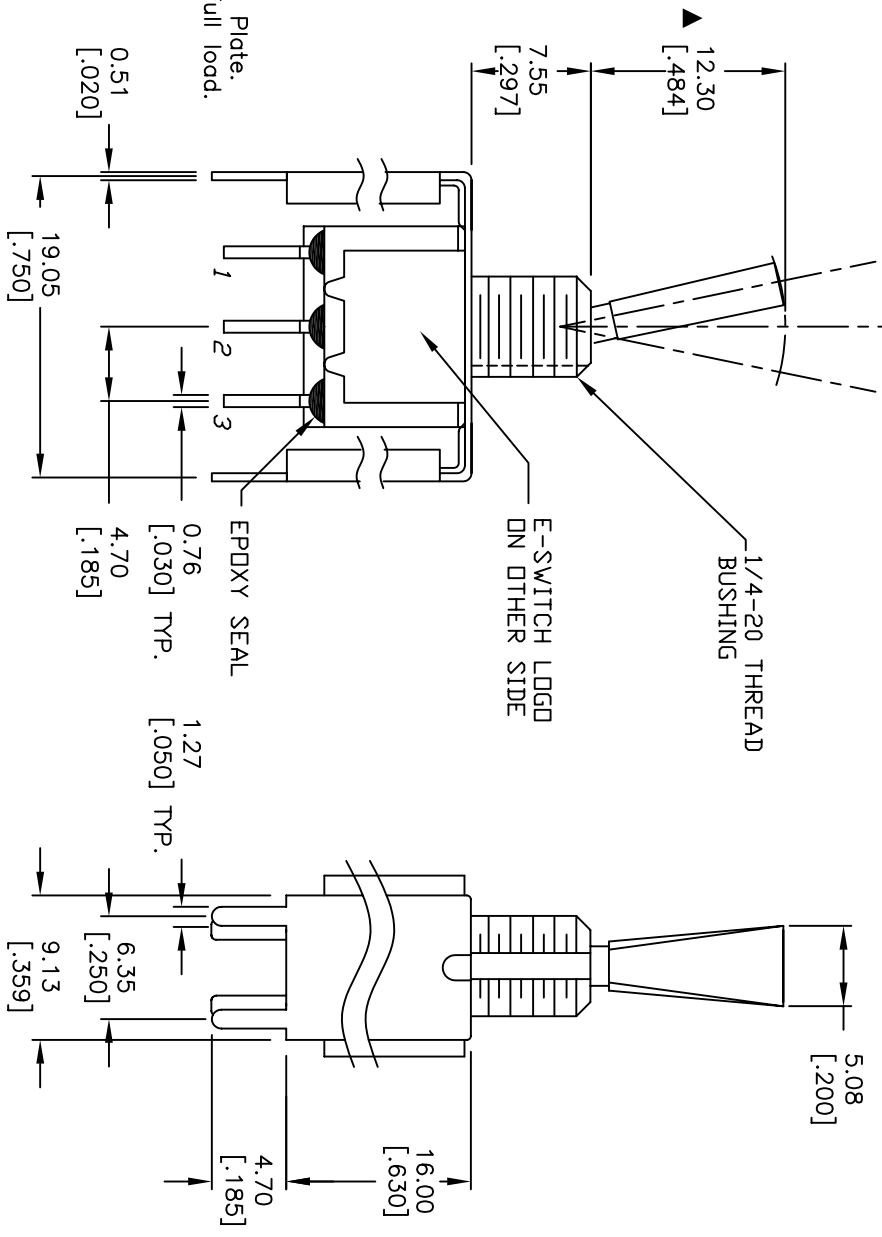
1. ALL DIMENSIONS IN MM [INCH]
2. GENERAL TOLERANCE: X.X=±0.4  
X.XX=±0.25  
( )=Momentary
3. TERM. NOS. FOR REF. ONLY
4. RATING: .4VA Max. @ 20V Max(ACor DC)
5. FIXED TERM. & MOVING CONTACT: Copper Alloy w/Gold Plate.
6. ELECTRICAL LIFE: 50,000 make-and-break cycles at full load.
7. INSULATION RESISTANCE: 1,000M ohm min.
8. DIELECTRIC STRENGTH: 1000V RMS @sea level
9. OPERATING TEMP.: -30°C to 85°C
10. ▲ DENOTES CRITICAL PARAMETER.
11. HARDWARE TO BE SUPPLIED BULK:  
T100011-LOCK WASHER QTY-1  
T100015-LOCK RING QTY-1  
T100000-HEX NUT QTY-2
12. 2002/95/EC (ROHS) COMPLIANT



POS. 1 POS. 2 POS. 3



BOTTOM VIEW  
CROPPED FOR CLARITY



REV. A	10/28/05	RELEASED FOR PRODUCTION	10/28/05	PH
ECN No.		DESCRIPTION	DATE	CHKD

TITLE		SCALE	DATE	DR	DWG	REV
100DP4T6B11VSSREH		2:1	10/28/05	PH	ST102314	A



THE INFORMATION CONTAINED IN THIS DOCUMENT IS PROPRIETARY TO E-SWITCH AND IS NOT TO BE COPIED OR TRANSMITTED