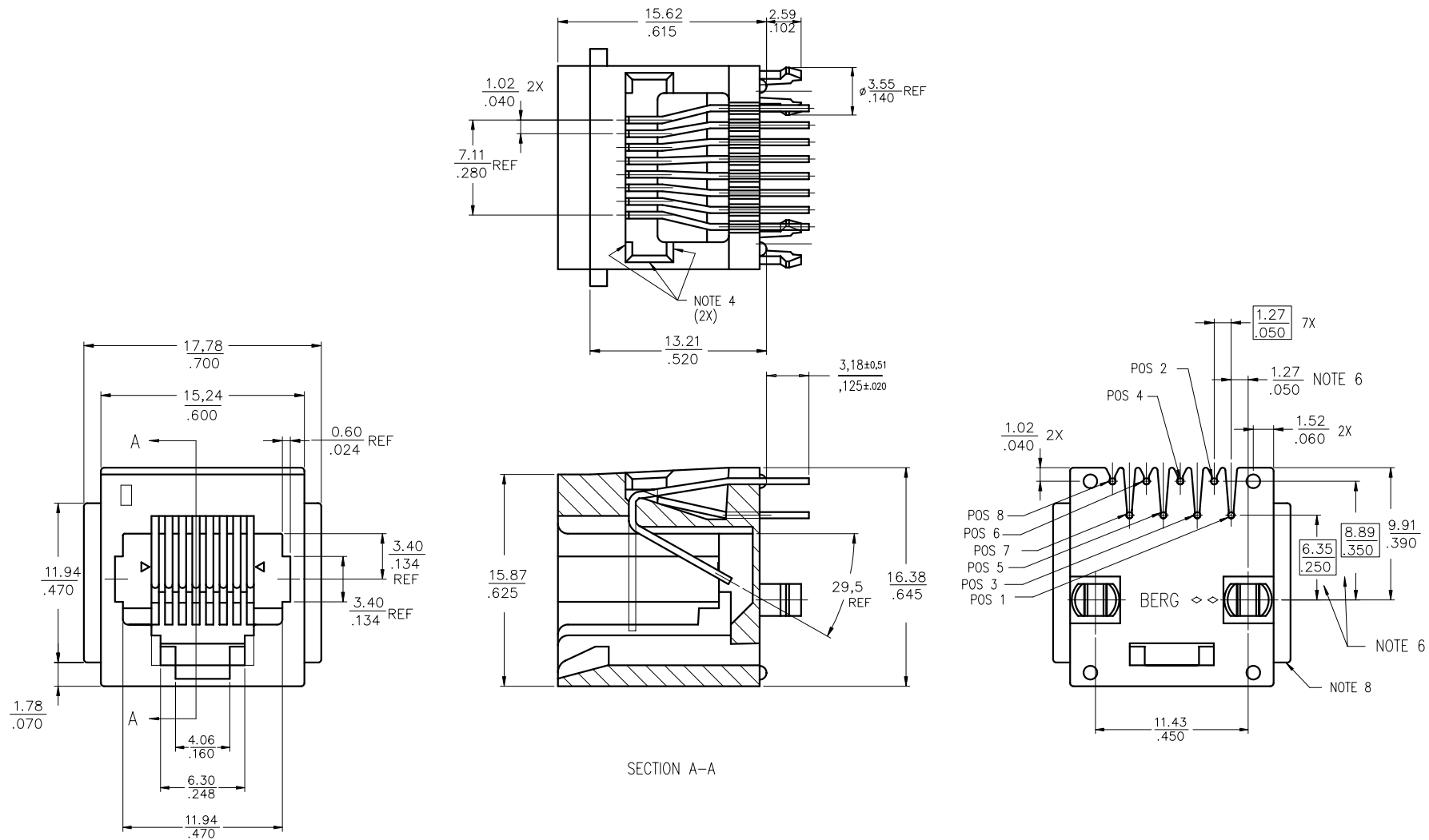


Tous droits strictement réservés. Reproduction ou communication à des tiers sans autorisation écrite du propriétaire.
 FCI Electronics
 Droits de reproduction FCI ELECTRONICS BY

All rights strictly reserved. Reproduction or issue to third parties in any form without written authority from the proprietor.
 FCI Electronics
 Copyright FCI ELECTRONICS BY



mat'l code		tolerance unless otherwise specified		CUSTOMER COPY		 www.fciconnect.com	
rev.	ecn no.	dr	date	linear	.xx±.3/.xx±.01	projection	title
J	T80175	T	C 08/05/98		.xx±.13/.xx±.005		
K	T90098	T	C 15/03/99	xxx±.051/.xxxx±.002	product family	M-JACK	
L	S00022	B	L 26/01/00	angles			ANGLE ±2'0"
M	T00202	M	W 07/04/00	dr	C L FENG 01/08/97	size	dwg no.
N	N04-0102	YS	11/23/04	enr	TONY CHIEN 01/08/97		
				chr	TONY CHIEN 01/08/97	3 : 1	1 OF 2
				appd	JENN TSAO 01/08/97		

Tous droits strictement réservés. Reproduction ou communication à des tiers interdite sans quelque forme que ce soit, sans autorisation écrite du propriétaire. Property of FCI ELECTRONICS. Droits de reproduction FCI ELECTRONICS by

All rights strictly reserved. Reproduction or issue to third parties in any form without written authority from the proprietor. Property of FCI ELECTRONICS. Copyright FCI ELECTRONICS by

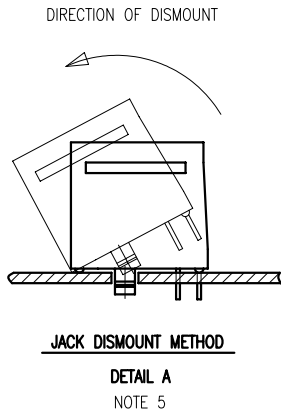
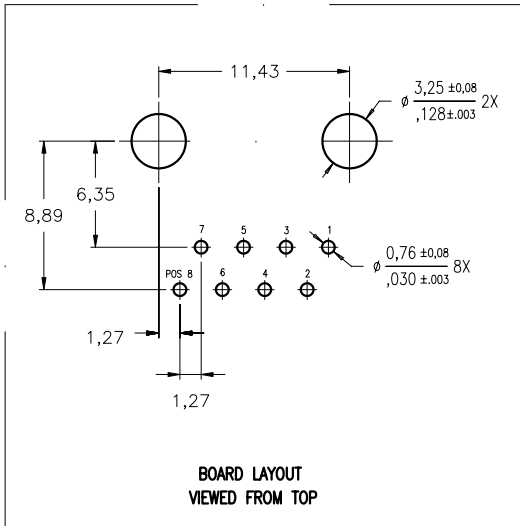
PRODUCT NO.	POSITIONS LOADED	CONTACT PLATING	MOUNTING EARS
90598-001 -001LF	ALL	30u" / ,76u GXT	Y
-002 -002LF	2,3,4,5,6,7	30u" / ,76u GXT	Y
-003 -003LF	ALL	30u" / ,76u Au	Y
-004 -004LF	ALL	50u" / 1,27u Au	Y
-005 -005LF	1,2,7,8	30u" / ,76u GXT	Y
-006 -006LF	ALL	30u" / ,76u GXT	N
-007 -007LF	ALL	50u" / 1,27u Au	N
-008 -008LF	ALL	30u" / ,76u Au	N
-009 -009LF	2-7	30u" / ,76u GXT	N
-010 -010LF	2-7	30u" / ,76u Au	N

PRODUCT NO.	POSITIONS LOADED	CONTACT PLATING	MOUNTING EARS
90598-101 -101LF	ALL	30u" / ,76u GXT	Y
-102 -102LF	2,3,4,5,6,7	30u" / ,76u GXT	Y
-103 -103LF	ALL	30u" / ,76u Au	Y
-104 -104LF	ALL	50u" / 1,27u Au	Y
-105 -105LF	1,2,7,8	30u" / ,76u GXT	Y
-106 -106LF	ALL	30u" / ,76u GXT	N

LEAD FREE PRODUCT NO.

NOTES :

- 1 P/NO WITH DASH 0XX -NOTMAL WAVE SOLDERING APPLICATION.
P/NO WITH DASH 1XX -1R REFLOW APPLICATION.
- 2 PACKAGING SPEC. BUS-14-164.
- ③ SCRATCH MARKS ACCEPTABLE ON THESE SURFACES.
- 4 JACK IS FOR 1,57/,062 THICK PCB.
- ⑤ SHOULD THE JACK NEED TO BE DISMOUNTED FROM THE PCB, PLS REMOVE JACK AS PER RECOMMENDED METHOD HEREIN. (DETAIL A)
NIPPING THE LEGS OF THE PEG TOGETHER IS DISALLOWED,
OTHERWISE LEG BREAKAGE MAY OCCUR.
- ⑥ THESE DIMENSIONS ARE TAKEN FROM THE TOP OF THE PEG.
- 7 GXT IS 0,76um / 30u" MIN GXT WITH Au FLASH OVER 1,27 um / 50u" MIN Ni.
- ⑧ MOUNTING EARS OPTIONAL. REFER TO TABLE
- 9 THIS PRODUCT MEETS EUROPEAN UNION DIRECTIVES AND OTHER COUNTRY REGULATIONS AS DESCRIBED IN GS-22-008
- 10 MOUNTING EARS OPTIONAL. REFER TO TABLE
- 11 THE HOUSING WILL WITHSTAND EXPOSURE TO 260°C PEAK TEMPERATURE FOR 10 SECONDS IN A WAVE SOLDER APPLICATION WITH A 1.57mm MINIMUM THICK CIRCUIT BOARD
- 12 IF LF P/N PACKAGING MEETS GS-14-920 SPECIFICATION



mat'l code		tolerance unless otherwise specified		CUSTOMER COPY		FCI Electronics www.fciconnect.com	
rev.	ecn no.	dr	date	linear	.XX±.13/.XX±.005	projection	title
N				angles	ANGLE ±2'0"		8 POS VERT. SNAP PEG P.C.B. III MOD JACK ASSY
				dr	C L FENG 01/08/97	unit	product family
				enr	TONY CHIEN 01/08/97	mm/inch	M-JACK
				chr	TONY CHIEN 01/08/97	scale	size
				appd	JENN TSAO 01/08/97	3 : 1	dwg no.
sheet	revision						90598
index	sheet						code
							TWN
							sheet
							2 OF 2

PDM: Rev:N

STATUS: Released

Printed: Oct 26, 2005