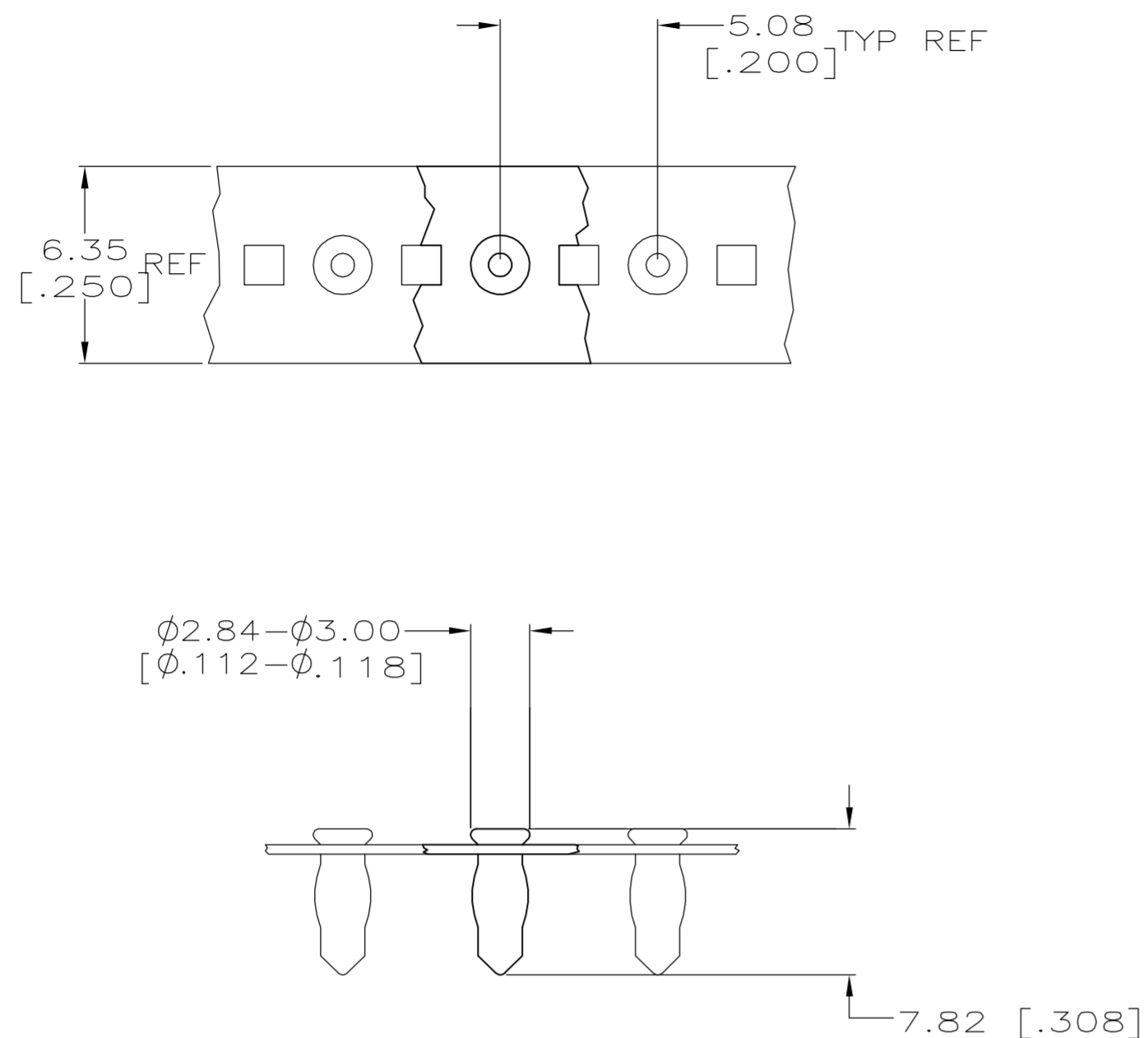
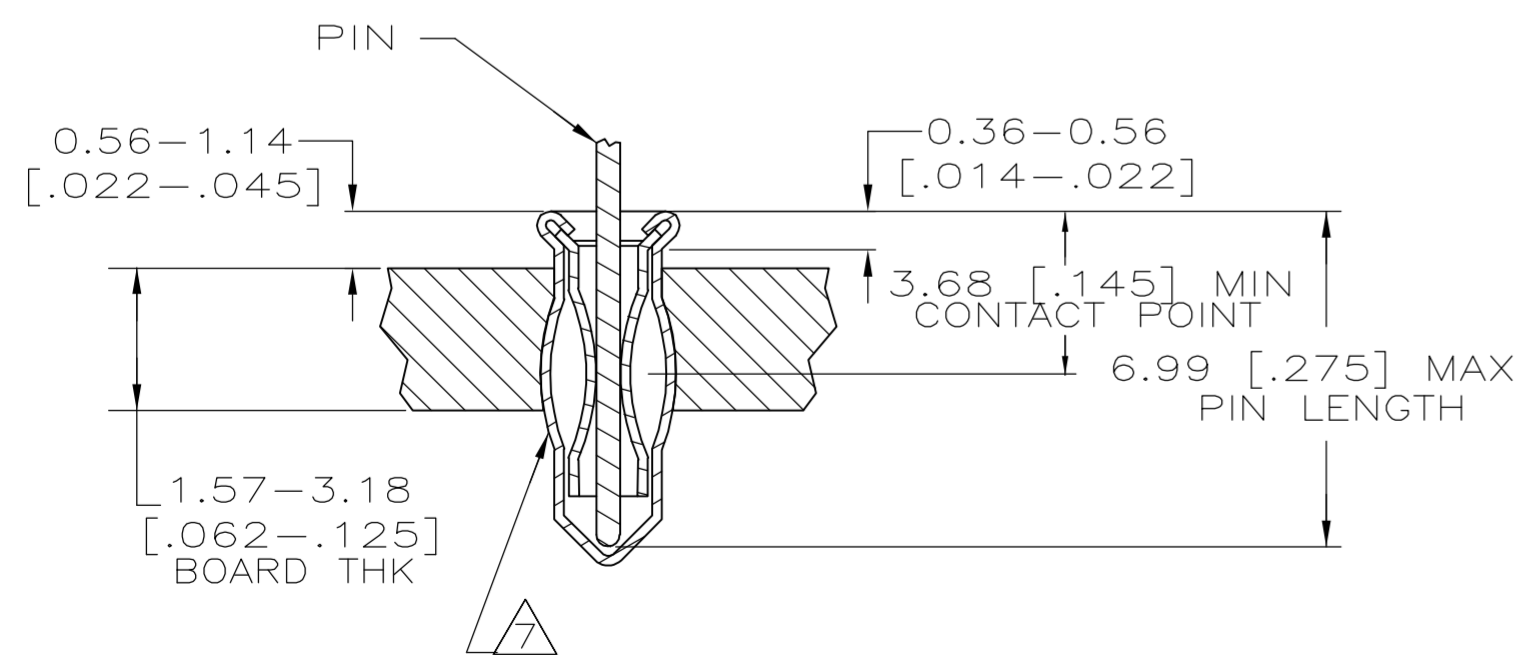


THIS DRAWING IS UNPUBLISHED. RELEASED FOR PUBLICATION
 © COPYRIGHT BY TYCO ELECTRONICS CORPORATION. ALL RIGHTS RESERVED.

| LOC | DIST | REVISIONS | | | |
|-----|------|-------------|-----------|-----------|---------|
| P | LTR | DESCRIPTION | DATE | DWN | APVD |
| AG | 53 | 0 | RELEASED. | 21SEP2005 | JGH/JGH |



- 1 MATERIAL:
EYELET - COPPER PER ASTM B 152
SPRING - BERYLLIUM COPPER PER ASTM B 194
- 2 TIN PLATE PER ASTM B 545 0.00381 [.000150] MIN THICK.
- 3 TIN PLATE PER ASTM B 545 0.00254 [.000100] MIN THICK.
- 4 GOLD PLATE PER ASTM B 488 0.00076 [.000030] MIN THICK ON CONTACT AREA.
- 5 PACKAGED 25,000 PER REEL
- 6 TO INSURE 1/2 OZ MIN RETENTION DO NOT EXCEED 0.10 [.004] DIFFERENCE IN PIN DIA WHEN CHANGING TO A SMALLER DIA PIN
- 7 PRODUCT IS OVALIZED FOR RETENTION IN THE P.C. BOARD. THE RECOMMENDED HOLE DIAMETER IS $\phi 2.59$ [$\phi .102$] MINIMUM, $+0.08$ [.003] MAX. PRIOR TO SOLDERING.
- 8 PACKAGED 10,000 PER REEL



| | | | | |
|--------------------------|--|--------|--------|------------------|
| 3.76-6.99 [.145-.275] | $\phi 1.07-\phi 1.24$ [$\phi .042-\phi .049$] | GOLD 4 | TIN 2 | 1-5645979-2 8 |
| 3.76-6.99 [.145-.275] | $\phi 1.07-\phi 1.24$ [$\phi .042-\phi .049$] | TIN 3 | TIN 2 | 5645979-1 5 |
| LENGTH | DIAMETER | SPRING | EYELET | PART NUMBER |
| PIN | | FINISH | | |

| | | | | |
|---|--|---------------------------------|---|-------------------------|
| THIS DRAWING IS A CONTROLLED DOCUMENT. | | DWN J. HAVENER 21SEP2005 | Tyco Electronics Corporation Harrisburg, PA 17105-3608 | |
| DIMENSIONS: mm [INCHES] | | CHK J. HAVENER 21SEP2005 | | |
| TOLERANCES UNLESS OTHERWISE SPECIFIED: | | APVD J. HAVENER 21SEP2005 | NAME MINIATURE SPRING SOCKET ASSY SERIES 5 WITHOUT SEALANT | |
| 0 PLC ± - 1 PLC ± - 2 PLC ± - 3 PLC ± 0.20 [.008] 4 PLC ± - ANGLES ± - | | PRODUCT SPEC - | SIZE A2 | |
| MATERIAL 1 | | APPLICATION SPEC 114-26004 | CAGE CODE 00779 | DRAWING NO C=5645979 |
| FINISH SEE TABLE | | WEIGHT - | RESTRICTED TO - | SCALE 10:1 |
| | | CUSTOMER DRAWING | SHEET 1 of 1 | REV 0 |