

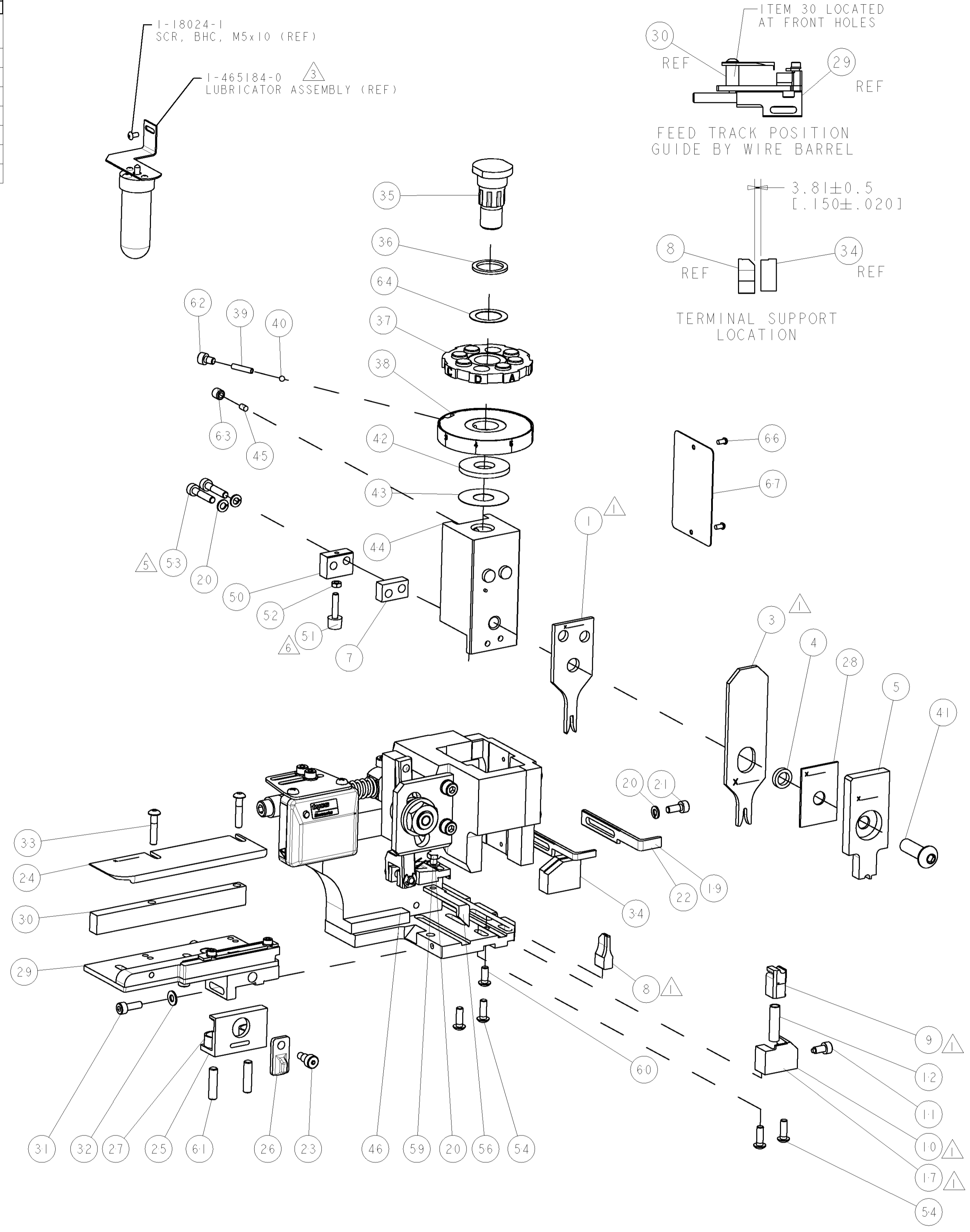
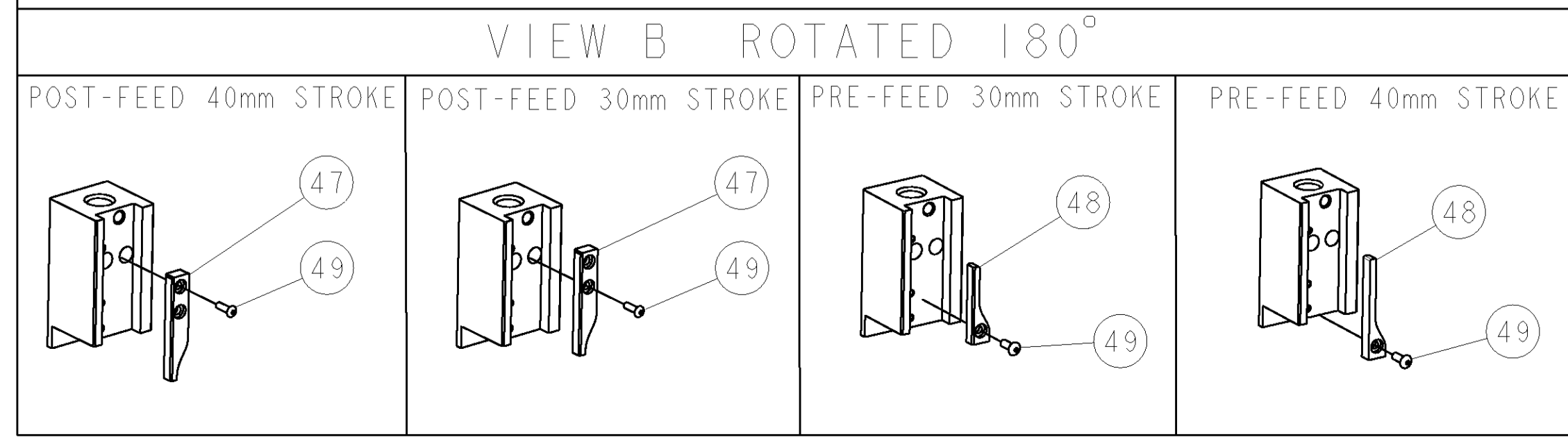
PART NUMBER	REV	TERMINATOR	FEED TYPE	DESCRIPTION
1426594-1	B	LEADMAKER	MECH POST FEED	CUTS CARRIER
1426594-2	B	BENCH	MECH PRE FEED	CUTS CARRIER
1426594-6	B	LEADMAKER	MECH POST FEED	CONTINUOUS CARRIER
7-1426594-1	B	LEADMAKER	MECH POST FEED	-1 AND SPARE PARTS
7-1426594-2	B	BENCH	MECH PRE FEED	-2 AND SPARE PARTS
7-1426594-6	B	LEADMAKER	MECH POST FEED	-6 AND SPARE PARTS
7-1426594-7	B	-	-	SPARE PARTS KIT

WIRE	SIZE	TYPE	RANGE
WIRE	1.78 [.070 IN]	F	0.50mm ² - 1.00mm ²
INSUL	2.29 [.090 IN]	O	1.20-2.10 [.047-.083 IN]
WIRE STRIP LENGTH	3.60-4.40 [.142-.174 IN]		APPL INSTRUCTIONS 408-8322
TERMINAL APPL SPEC			FEED 9.00 [.354 IN]

TYCO PN	MANUF 'S PN		
1572940-1	TN 01 015 0047 1	-	-
1572941-1	TN 02 015 0047 1	-	-

WIRE SIZE	CRIMP HEIGHT	PINPN & LENGTH [IN]
1.00mm ²	1.45 ±0.05 [.057 ±.002 IN]	1-354779-0 [.3040]
0.75mm ²	1.32 ±0.05 [.052 ±.002 IN]	2-354779-2 [.3100]
0.50mm ²	1.22 ±0.05 [.048 ±.002 IN]	3-354779-0 [.3140]

- △ RECOMMENDED SPARE PARTS.
- 2. GREASE RAM, CAM, CAM FOLLOWER AND FEED ROD LIGHTLY.
- △ CERTAIN TERMINALS REQUIRE LUBRICATION. REFER TO THE APPLICATOR INSTRUCTION SHEET FOR MORE INFORMATION.
- 4. LUBRICATE DAILY PER THE APPLICATOR INSTRUCTION SHEET SUPPLIED WITH THE APPLICATOR.
- △ ITEM 53, CUT TO LENGTH AT ASSEMBLY.
- △ ITEM 51, HOLD DOWN BUMPER NOT TO BE USED ON TERMINAL PN TN 02 015 0047 1.
- △ ALL CRIMP DATA CALCULATED BY TYCO ELECTRONICS.



LOC	DIST	REV	DESCRIPTION	DATE	BY	APPD
A	66		SEE ECO-06-006242	16MAR2006	DP	MC
B			SEE ECR-06-011867	17MAY2006	DP	MC

-	-	-	-	-	-	-	-	-	-	73		
-	-	-	-	-	-	-	-	-	-	72		
-	1	1	1	1	1	1	1	1	1	1338705-1	DOCUMENTATION PACKAGE	71
-	-	-	-	-	-	-	-	-	-	-	-	70
-	-	-	-	-	-	-	-	-	-	-	-	69
-	-	-	-	-	-	-	-	-	-	-	-	68
-	1	1	1	1	1	1	1	1	1	461264-1	PLATE, IDENTIFICATION	67
-	2	2	2	2	2	2	2	2	2	21017-2	SCREW, DRIVE	66
-	-	-	-	-	-	-	-	-	-	-	-	65
-	1	1	1	1	1	1	1	1	1	986950-1	WASHER, FLAT PRECISION	64
-	1	1	1	1	1	1	1	1	1	3-18031-0	SCR, SET, CUP POINT M6 X 6.0	63
-	1	1	1	1	1	1	1	1	1	18023-9	SCR, SKT HD CAP M4 X 6.0	62
-	2	2	2	2	2	2	2	2	2	2-18032-5	SCR, SET, FLT POINT M5 X 20.0	61
-	1	1	1	1	1	1	1	1	1	18024-7	SCR, BTN SKT HD CAP (M4 X 10.0)	60
-	1	1	1	1	1	1	1	1	1	5-18022-2	SCR, HEX HD CAP M4 X 8.0	59
-	-	-	-	-	-	-	-	-	-	-	-	58
-	-	-	-	-	-	-	-	-	-	-	-	57
-	1	1	1	1	1	1	1	1	1	1338685-1	PAWL, FEED	56
-	-	-	-	-	-	-	-	-	-	-	-	55
-	4	4	4	4	4	4	4	4	4	18024-8	SCR, BTN SKT HD CAP (M4 X 12.0)	54
-	2	2	2	2	2	2	2	2	2	1-18023-4	SCR, SKT HD CAP M4 X 20.0	53
-	1	1	1	1	1	1	1	1	1	18030-1	NUT, HEX, REG M3	52
-	1	1	1	1	1	1	1	1	1	811242-5	BUMPER, HOLD DOWN	51
-	1	1	1	1	1	1	1	1	1	690753-2	SPACER, TONKER	50
-	1	1	1	1	1	1	1	1	1	18024-3	SCR, BTN SKT HD CAP (M3 X 10.0)	49
-	-	-	-	-	-	-	-	-	-	1338675-1	CAM, UNIVERSAL PRE FEED	48
-	1	1	1	1	1	1	1	1	1	1338676-1	CAM, UNIVERSAL POST-FEED	47
-	1	1	1	1	1	1	1	1	1	1320999-3	APPLICATOR SUBASSEMBLY, HDI	46
-	1	1	1	1	1	1	1	1	1	690191-1	PLUG, NYLON	45
-	1	1	1	1	1	1	1	1	1	1338660-1	RAM	44
-	1	1	1	1	1	1	1	1	1	690125-1	SHIM SUB-ASSY	43
-	1	1	1	1	1	1	1	1	1	690124-1	WASHER, RAM (.115)	42
-	1	1	1	1	1	1	1	1	1	2-18024-6	SCR, BTN SKT HD CAP (M8 X 25.0)	41
-	1	1	1	1	1	1	1	1	1	23241-1	BALL, STEEL	40
-	1	1	1	1	1	1	1	1	1	2-22278-7	SPRING, COMPRESSION	39
-	1	1	1	1	1	1	1	1	1	1320922-1	DISC, ADJUST, INSULATION CRIMP	38
-	1	1	1	1	1	1	1	1	1	354777-1	WIRE DISC, ASSEMBLY	37
-	1	1	1	1	1	1	1	1	1	22480-5	SPRING, COMPRESSION	36
-	1	1	1	1	1	1	1	1	1	690212-1	POST, RAM	35
-	1	1	1	1	1	1	1	1	1	1333246-4	SUPPORT, TERMINAL	34
-	2	2	2	2	2	2	2	2	2	1-18024-0	SCR, BTN SKT HD CAP (M4 X 20.0)	33
-	1	1	1	1	1	1	1	1	1	18027-2	WASHER, FLAT, REG M4	32
-	1	1	1	1	1	1	1	1	1	1-18023-2	SCR, SKT HD CAP M4 X 12.0	31
-	1	1	1	1	1	1	1	1	1	1-1320908-5	SPACER, STRIP GUIDE	30
-	1	1	1	1	1	1	1	1	1	1633073-1	STRIP GUIDE ASSEMBLY	29
-	1	1	1	1	1	1	1	1	1	1-455888-0	SPACER, CRIMPER	28
-	2	2	2	2	2	2	2	2	2	1-22284-0	SPRING, COMPRESSION	27
-	1	1	1	1	1	1	1	1	1	356835-1	LEVER, DRAG RELEASE	26
-	1	1	1	1	1	1	1	1	1	240792-1	DRAG, TERMINAL	25
-	1	1	1	1	1	1	1	1	1	1320928-1	PLATE, STRIP GUIDE	24
-	1	1	1	1	1	1	1	1	1	980371-4	SCR, SKT HD SHLDR 5.0 DIA X 6.0	23
-	1	1	1	1	1	1	1	1	1	690472-2	STRIPPER	22
-	1	1	1	1	1	1	1	1	1	1-18023-1	SCR, SKT HD CAP M4 X 10.0	21
-	4	4	4	4	4	4	4	4	4	18025-2	WASHER, SPRG LOCK, REG M4	20
-	-	-	-	-	-	-	-	-	-	690472-1	STRIPPER	19
-	-	-	-	-	-	-	-	-	-	-	-	18
-	1	1	1	1	1	1	1	1	1	1338684-1	SHEAR HOLDER, FRONT	17
-	-	-	-	-	-	-	-	-	-	-	-	16
-	-	-	-	-	-	-	-	-	-	-	-	15
-	-	-	-	-	-	-	-	-	-	-	-	14
-	-	-	-	-	-	-	-	-	-	-	-	13
-	1	1	1	1	1	1	1	1	1	3-22280-3	SPRING, COMPRESSION	12
-	1	1	1	1	1	1	1	1	1	356885-4	STOP, SHEAR	11
-	-	-	-	-	-	-	-	-	-	1320921-1	SHEAR HOLDER, FRONT, CUT	10
-	1	1	1	1	1	1	1	1	1	462006-7	FLOATING SHEAR, FRONT	9
-	1	2	2	2	1	1	1	1	1	1633130-9	ANVIL, COMBINATION .070	8
-	1	1	1	1	1	1	1	1	1	2-240641-5	SPACER	7
-	-	-	-	-	-	-	-	-	-	-	-	6
-	1	1	1	1	1	1	1	1	1	2-455889-0	DEPRESSOR, SHEAR	5
-	1	1	1	1	1	1	1	1	1	238011-9	BLOCK, CRIMPER SPACER	4
-	1	2	2	2	1	1	1	1	1	8-456135-0	CRIMPER, INSULATION O PREMIUM	3
-	-	-	-	-	-	-	-	-	-	-	-	2
-	1	2	2	2	1	1	1	1	1	3-456404-5	CRIMPER, WIRE PREMIUM	1

-77	-76	-72	-71	-6	-2	-1	PART NO	DESCRIPTION	ITEM NO
-	-	-	-	-	-	-	-	-	84
-	-	-	-	-	-	-	-	-	83
-	-	-	-	-	-	-	-	-	82
-	-	-	-	-	-	-	-	-	81
-	-	-	-	-	-	-	-	-	80
-	-	-	-	-	-	-	-	-	79
-	-	-	-	-	-	-	-	-	78
-	-	-	-	-	-	-	-	-	77
-	-	-	-	-	-	-	-	-	76
-	-	-	-	-	-	-	-	-	75
-	-	-	-	-	-	-	-	-	74

DIMENSIONS: mm [IN] 	TOLERANCES UNLESS OTHERWISE SPECIFIED: 0 PLC ± 1 PLC ± 2 PLC ± 3 PLC ± 4 PLC ± ANGLES ±	DWN: PROUSE 01FEB2006 CWN: APVD: M. CLIFFORD 01FEB2006 PRODUCT SPEC: APPLICATION SPEC: See Table WEIGHT: MATERIAL: FINISH:	tyco Tyco Electronics Harrisburg, PA 17105-3608 Electronic NAME: SIDE FEED HDI APPLICATOR SIZE: CAGE CODE DRAWING NO: A1 00779 C=1426594 RESTRICTED TO: SCALE: 3:5 SHEET 1 OF 1 REV B
----------------------------	---	--	--