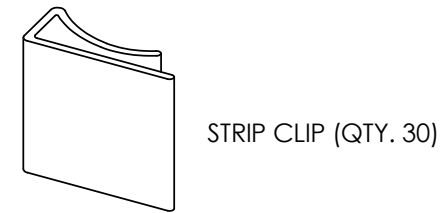
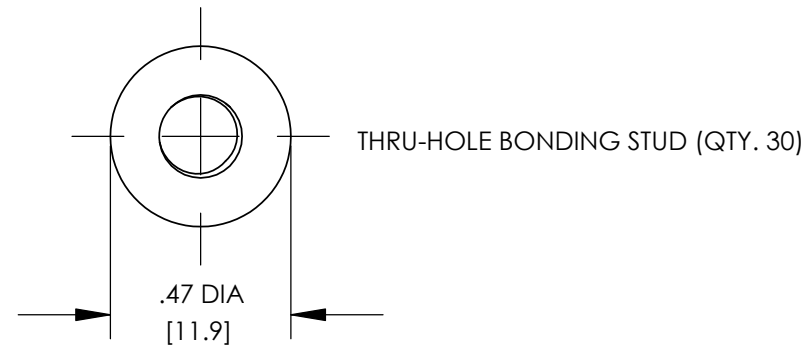
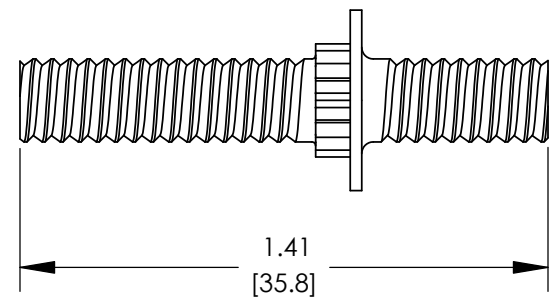


THIS COPY IS PROVIDED ON A RESTRICTED BASIS AND IS NOT TO BE USED IN ANY WAY DETRIMENTAL TO THE INTERESTS OF PANDUIT CORP.



STRIP CLIP (QTY. 30)

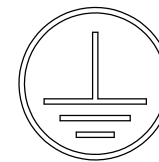
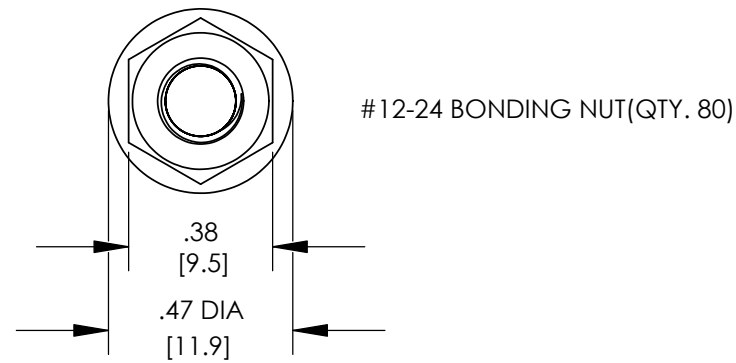
- NOTES:
1. THRU-HOLE GROUNDING KIT
PART NUMBER: RGS134C-10-1
 2. PACKAGING: 1 KIT PER BOX
 3. ALL COMPONENTS THAT MAKE UP THIS KIT ARE RoHS COMPLIANT.
 4. DIMENSIONS IN PARENTHESIS ARE MILLIMETERS.



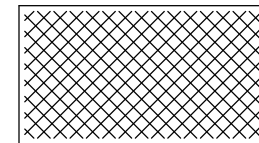
LISTED
GROUNDING AND BONDING EQUIPMENT



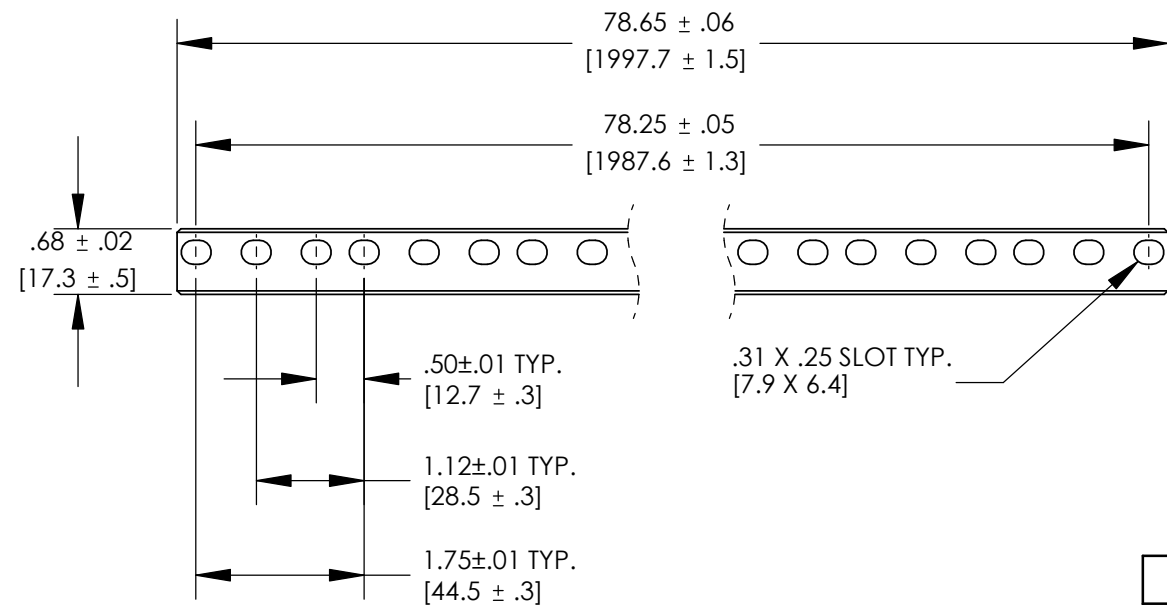
CERTIFIED



UNIVERSAL GROUNDING STICKER (QTY. 10)



CLEANING PAD (QTY. 1)



GROUNDING STRIP (QTY. 10)
45 RU (EIA SPACING)



5cc TUBE ANTI-OXIDANT PASTE (QTY. 1)

C41702_01

PANDUIT CORP. TINLEY PARK, ILLINOIS

THRU-HOLE GROUNDING KIT
(RGS134C-10-1)
CUSTOMER DRAWING

UNLESS OTHERWISE SPECIFIED
DIMENSIONAL TOLERANCES ARE:
(.X) ± (.XXX) ±
(.XX) ± ANGLES ±

UNLESS OTHERWISE SPECIFIED,
ALL DIMENSIONS ARE GIVEN IN
INCHES, THIRD ANGLE PROJECTION

01	3/07	JHNU	JMAR	REVISED NOTE 1: THRU-HOLE WAS CAGE NUT	PC00657				DRAWN BY JHNU	MAT'L:	SCALE	NONE
00	3/07	JHNU	JMAR	DRAWING RELEASED	PC00681			DATE 3/07	DRAWING NO / CAD FILE		DWG B SIZE	
REV	DATE	BY	CHK	DESCRIPTION	ECN	PM	CUST	CHK'D			C41702	