

DO NOT SCALE FROM THIS PRINT

DESIGNED & DIMENSIONED IN MILLIMETERS

MPT-XX-6.30-XX-X-V-XX

No OF POSITIONS
-02, -03, -04, -06, -08

HEIGHT
-6.30: 6.30 MM

TAIL LENGTH
-01: FOR 1.57[.062] THICK PCB (USE SUB-T-1M39-XX.XX-01-X)
-03: FOR 2.36[.093] THICK PCB (USE SUB-T-1M39-XX.XX-03-X)

OPTION
-LC: LOCKING CLIP (SEE FIG 2, SHT 2)

VERTICAL

PLATING SPECIFICATION
-L: SEE TABLE 2, SHT 2
-T: SEE TABLE 2, SHT 2

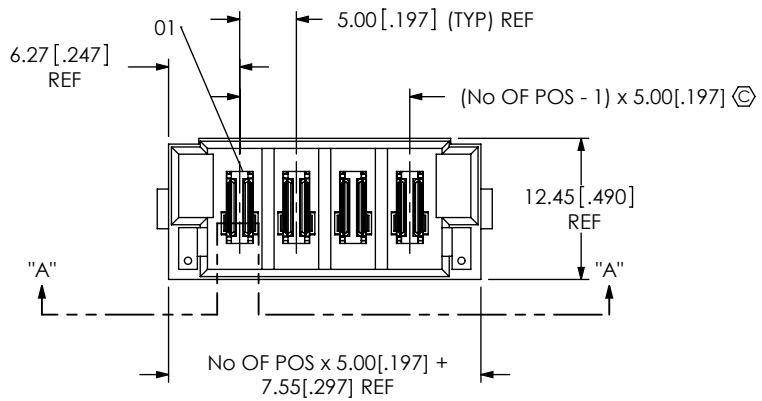


TABLE 1

STYLE	"A"	SUB-T-1M39-XX.XX-XX-X
-01	2.72[.107]	SUB-T-1M39-06.30-01-X
-03	3.51[.138]	SUB-T-1M39-06.30-03-X

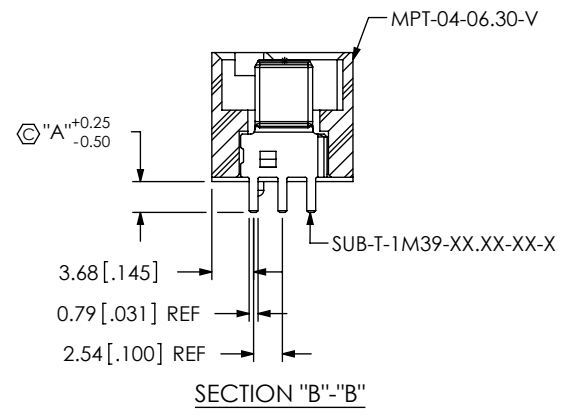
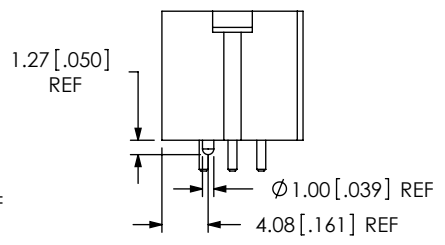
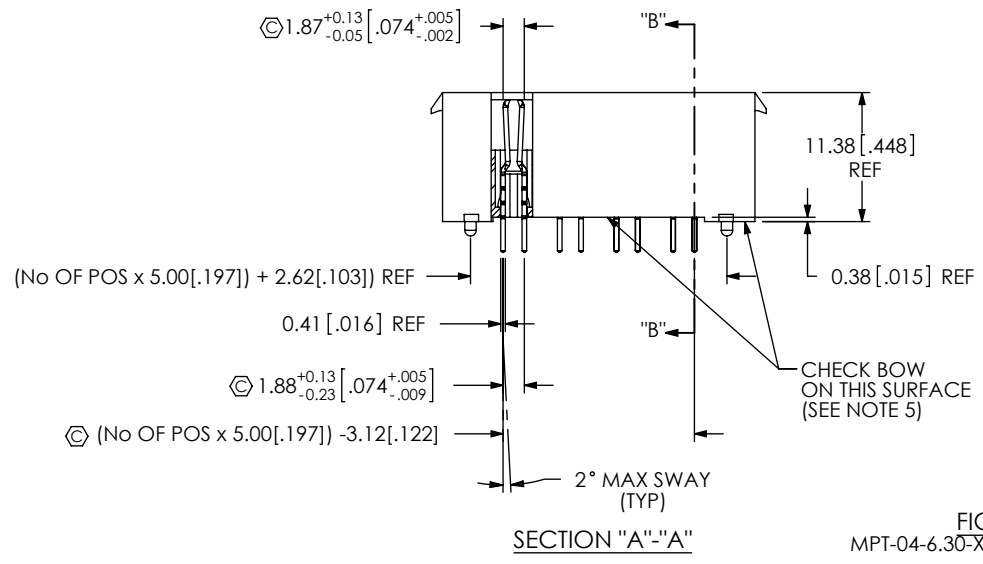
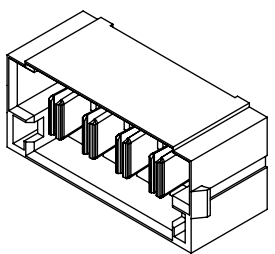


FIG 1
MPT-04-6.30-XX-X-V SHOWN



- NOTES:
- ⊙ REPRESENTS A CRITICAL DIMENSION.
 - BURR ALLOWANCE: 0.038[.0015] MAX.
 - MINIMUM PUSHOUT FORCE: 4.45N[1.0 LB].
 - PARTS TO BE PACKAGED IN TRAYS.
 - ⊙ BOW ALLOWED AT .051MM/25MM [.002 IN/IN]
 - MINIMUM -LC PULL OUT FORCE: 2.23N [0.5LB]

UNLESS OTHERWISE SPECIFIED, DIMENSIONS ARE IN MILLIMETERS. TOLERANCES ARE:

DECIMALS	ANGLES
.X: ±0.3 [.01]	2°
.XX: ±0.13 [.005]	
.XXX: ±0.051 [.0020]	

PROPRIETARY NOTE
THIS DOCUMENT CONTAINS INFORMATION CONFIDENTIAL AND PROPRIETARY TO SAMTEC, INC. AND SHALL NOT BE REPRODUCED OR TRANSFERRED TO OTHER DOCUMENTS OR DISCLOSED TO OTHERS OR USED FOR ANY PURPOSE OTHER THAN THAT WHICH IT WAS OBTAINED WITHOUT THE EXPRESSED WRITTEN CONSENT OF SAMTEC, INC.

520 PARK EAST BLVD. NEW ALBANY, IN 47150
PHONE: 812-944-6733 FAX: 812-948-5047
e-Mail: info@SAMTEC.com code: 55322

MATERIAL: DO NOT SCALE DRAWING SHEET SCALE: 1:0.6
INSULATOR: LCP, UL 94V-O COLOR: BLACK
TERMINAL: COPPER ALLOY

DESCRIPTION:
VERTICAL POWER TERMINAL

DWG. NO.
MPT-XX-6.30-XX-X-V-XX

BY: CLAY W 2/2/2007 SHEET 1 OF 2

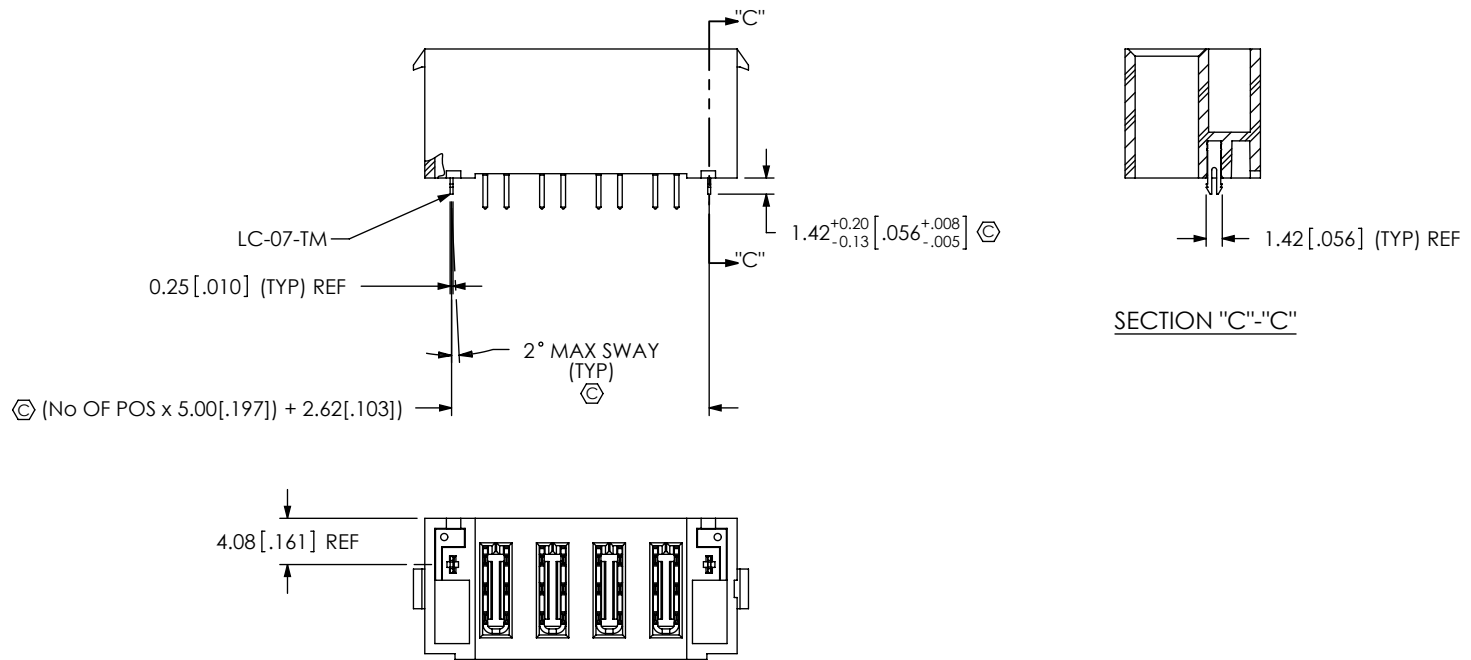


FIG 2
MPT-04-6.30-XX-X-V-LC SHOWN
(SAME AS FIG 1, UNLESS OTHERWISE STATED)

TABLE 2		
PLATING	POWER PIN CONTACT AREA	POWER PIN TAIL
-L	10μ GOLD	MATTE TIN
-T	MATTE TIN	MATTE TIN

PROPRIETARY NOTE
THIS DOCUMENT CONTAINS INFORMATION CONFIDENTIAL AND PROPRIETARY TO SAMTEC, INC. AND SHALL NOT BE REPRODUCED OR TRANSFERRED TO OTHER DOCUMENTS OR DISCLOSED TO OTHERS OR USED FOR ANY PURPOSE OTHER THAN THAT WHICH IT WAS OBTAINED WITHOUT THE EXPRESSED WRITTEN CONSENT OF SAMTEC, INC.

DO NOT SCALE DRAWING



520 PARK EAST BLVD, NEW ALBANY, IN 47150
PHONE: 812-944-6733 FAX: 812-948-5047
e-Mail: info@SAMTEC.com code: 55322

DESCRIPTION:	VERTICAL POWER TERMINAL
DWG. NO.	MPT-XX-6.30-XX-X-V-XX
BY: CLAY W	2/2/2007
SHEET 2 OF 2	