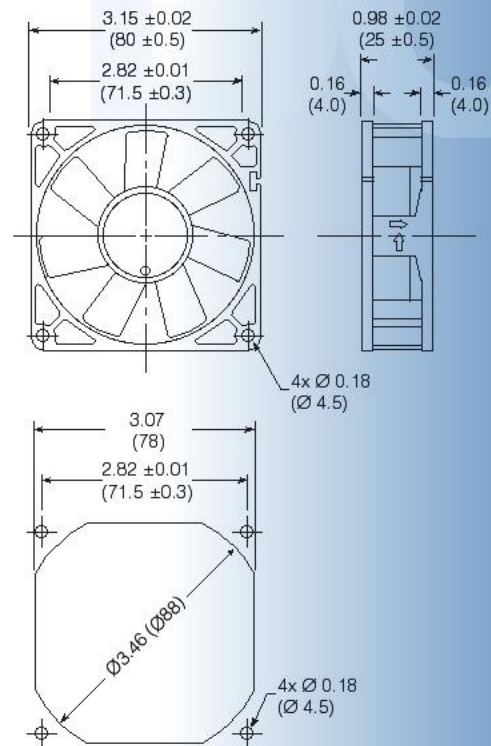


**Size: (80 x 80 x 25 mm)
3.15 x 3.15 x 0.98 inches**

- Broad range of models to meet air flow and sound noise targets
- Electronic locked rotor sensor, auto-restart reverse polarity protection
- 5, 12, or 24 VDC
- Flanged or ribbed frame styles; ball bearings
- Options include tachometer or locked rotor output signal, and thermistor control



Model No.	Rated Voltage (V)	Current (mA)			Revolution (RPM)	Air Volume (CFM)	Maximum Static Pressure (in H ₂ O)	Sound Noise (dBA)	Weight (oz)
		5	12	24					
F8025 S	5/12/24	150	75	50	1,500	25	0.05	20	2.79
F8025 L	5/12/24	200	90	60	1,800	29	0.07	22	2.79
F8025 M	5/12/24	290	120	80	2,100	34	0.09	26	2.79
F8025 H	5/12/24	420	145	90	2,400	39	0.12	29	2.79
F8025 E	5/12/24	800	240	140	2,800	46	0.16	32	2.79
F8025 X	12/24	—	480	260	3,200	51	0.18	35	2.79