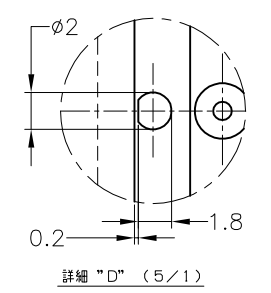
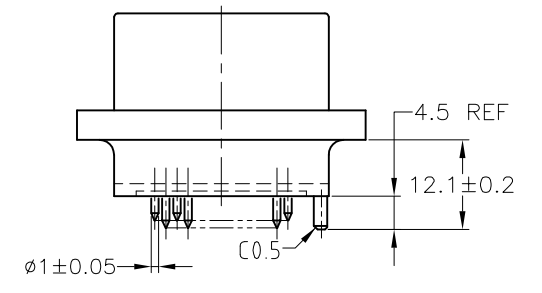
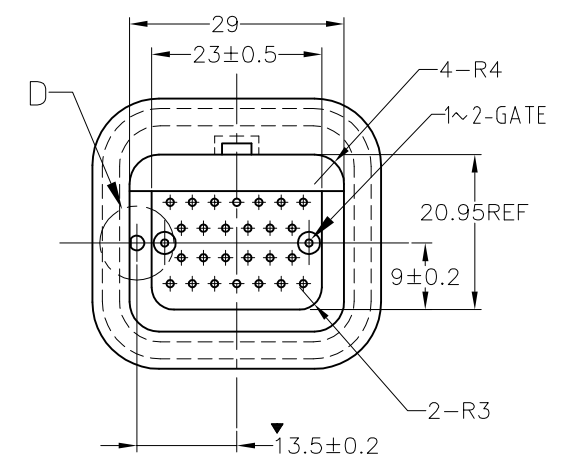
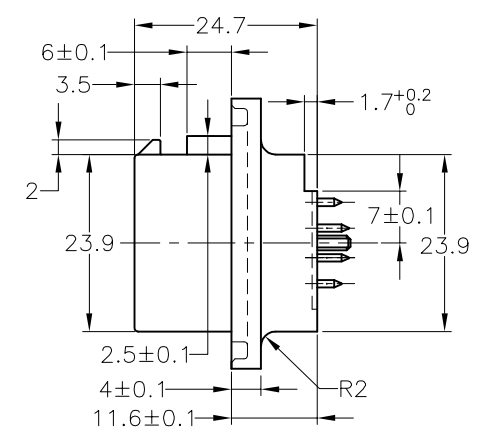
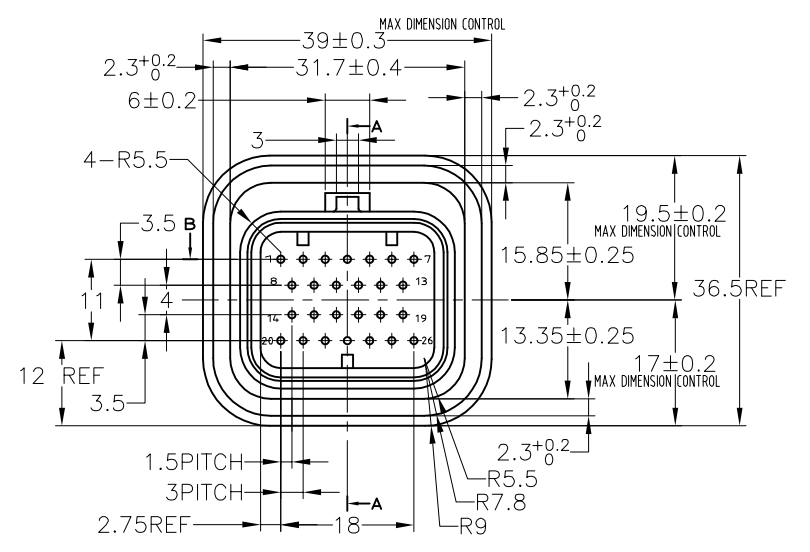
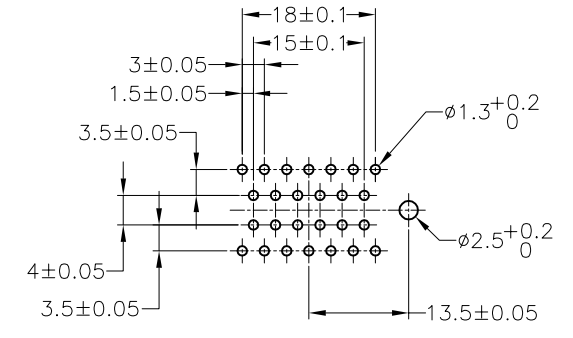
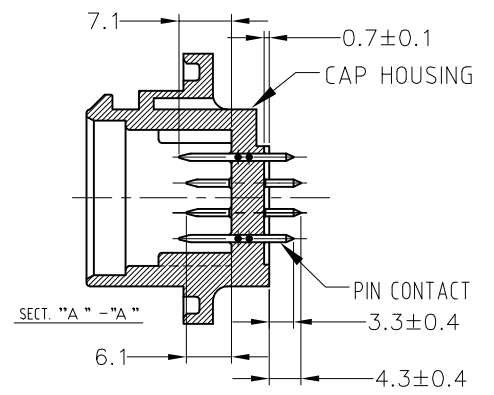
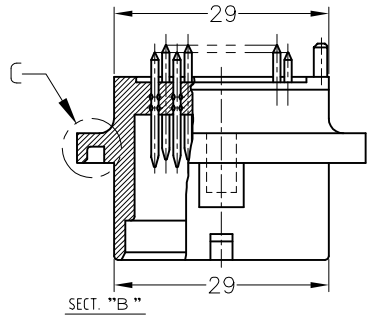
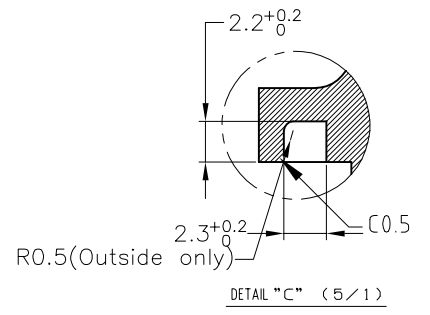


LOC		DIST		REVISIONS			
J		-		REV	DESCRIPTION	DATE	BY
				A2	REVISED	ECR-15-008111	01JUN2015 TS KB

(RECOMMENDED P.C.BORD DIMENSION, TOLERANCE±0.1)
 プリント基板推奨ホールパターン、公差±0.1



NOTES, 1.GENERAL TOLERANCE : ± 0.3
 DRAFT ANGLE : ± 1 MAX*
 ALL UNSPECIFIED RADII : R0.5
 ALL UNSPECIFIED THICKNESS : 15
 2.MATERIAL
 CAP HOUSING : THERMOPLASTIC POLYESTER
 PIN CONTACT : BRSS
 3.CRITICAL DIMENSIONS:▼

SEE DWG	SEE DWG	SEE DWG	SELECTIVE-TIN (MATTE)	SELECTIVE GOLD × 26	PART NUMBER
SEE DWG 1473418	SEE DWG 1473418	-	SELECTIVE-TIN (MATTE)	SELECTIVE GOLD × 26	6473418-2
SEE DWG 1473418	SEE DWG 1473418	-	SELECTIVE-TIN (MATTE)	SELECTIVE GOLD × 26	6473418-1
3-1437290-7	-	-	SELECTIVE-TIN (MATTE)	SELECTIVE GOLD × 26	6437288-6
OBSOLETE	SEE DWG 1473418	SEE DWG 1473418	TIN-LEAD	SELECTIVE GOLD × 26	1473418-2
OBSOLETE	SEE DWG 1473418	SEE DWG 1473418	TIN-LEAD	SELECTIVE GOLD × 26	1473418-1
OBSOLETE	3-1437290-7	-	TIN-LEAD	SELECTIVE GOLD × 26	1437288-6
MATING PLUG ASSEMBLY 嵌合相手	REMARKS 備考	OLD PART NUMBER 旧型番	CONTACT FINISH 半田付け側	CONTACT SEDE 接触部側	PART NUMBER 型番
			CONTACT FINISH コンタクト仕上		

THIS DRAWING IS A CONTROLLED DOCUMENT.

DWG: A YAMAGUCHI 24SEP02
 CHK: K. BETSUI 24SEP02
 APPO: K. BETSUI 24SEP02
 NAME: 108-78140

TE Connectivity
 WATER SEALED CONNECTOR
 CAP HOUSING 26POS ASSEMBLY

SIZE: A1 CAGE CODE: 1437288-6 DRAWING NO: 1437288-6
 SCALE: 2:1 SHEET: 1 OF 1 REV: A2