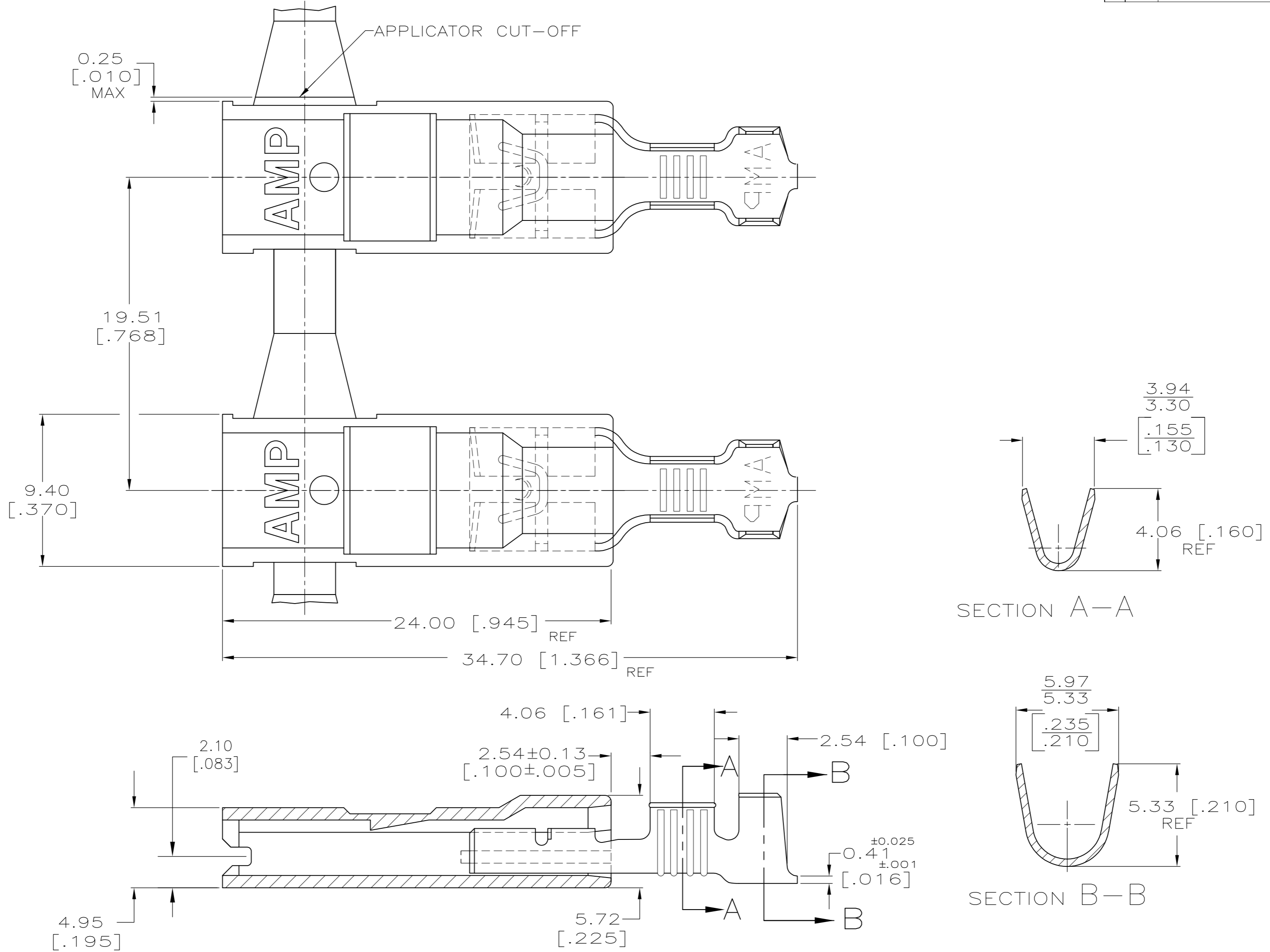


THIS DRAWING IS UNPUBLISHED. RELEASED FOR PUBLICATION  
 © COPYRIGHT - By - ALL RIGHTS RESERVED.

LOC		DIST		REVISIONS			
P	LTR	DESCRIPTION		DATE	DWN	APVD	
AF	50	A3	REVISED PER ECR-12-013219		08JAN13	KH	KR



- 1 LOW-INSERTION FASTON TERMINALS, BASE P/N 63306, ARE USED IN THIS PRODUCT.
- 2 TIN PLATE PER .002032 [.000080] MIN
- 3 PRELIMINARY-NOT FOR PRODUCTION

STANDARD	TIN OVER NICKEL	2.79-4.32	0.8-2.0 mm <sup>2</sup> [18-14]	0.813 [.032]	3 521367-3
STANDARD	TIN PLATE	[.110-.170] DIA			521367-2
STANDARD	PLAIN				521367-1
PACKAGING	TERMINAL FINISH	INSULATION RANGE	WIRE SIZE	MATING TAB THK ± 0.025 [±.001]	PART NO

THIS DRAWING IS A CONTROLLED DOCUMENT.		DWN	15JAN01	 TE Connectivity
DIMENSIONS: mm [INCHES]		CHK	15JAN01	
TOLERANCES UNLESS OTHERWISE SPECIFIED:		APVD	15JAN01	
0 PLC ± - 1 PLC ± - 2 PLC ± - 3 PLC ± 0.25 [.010] 4 PLC ± - ANGLES ± -		NAME		
MATERIAL HOUSING - 6/6 V0 NYLON TERMINAL - BRASS		PRODUCT SPEC	108-1285	ASSEMBLY, ULTRA-POD, RECEPTACLE, 6.35 [.250] SERIES
FINISH HOUSING - NATURAL TERMINAL - SEE TABLE		APPLICATION SPEC	114-2124	SIZE
		WEIGHT	-	CAGE CODE
		CUSTOMER DRAWING		DRAWING NO
				RESTRICTED TO
				A2 00779 C=521367
				SCALE 5:1 SHEET 1 of 1 REV A3

521367

A