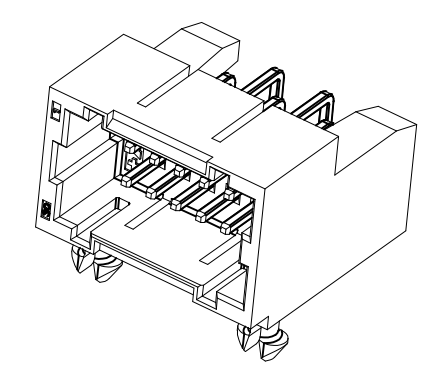
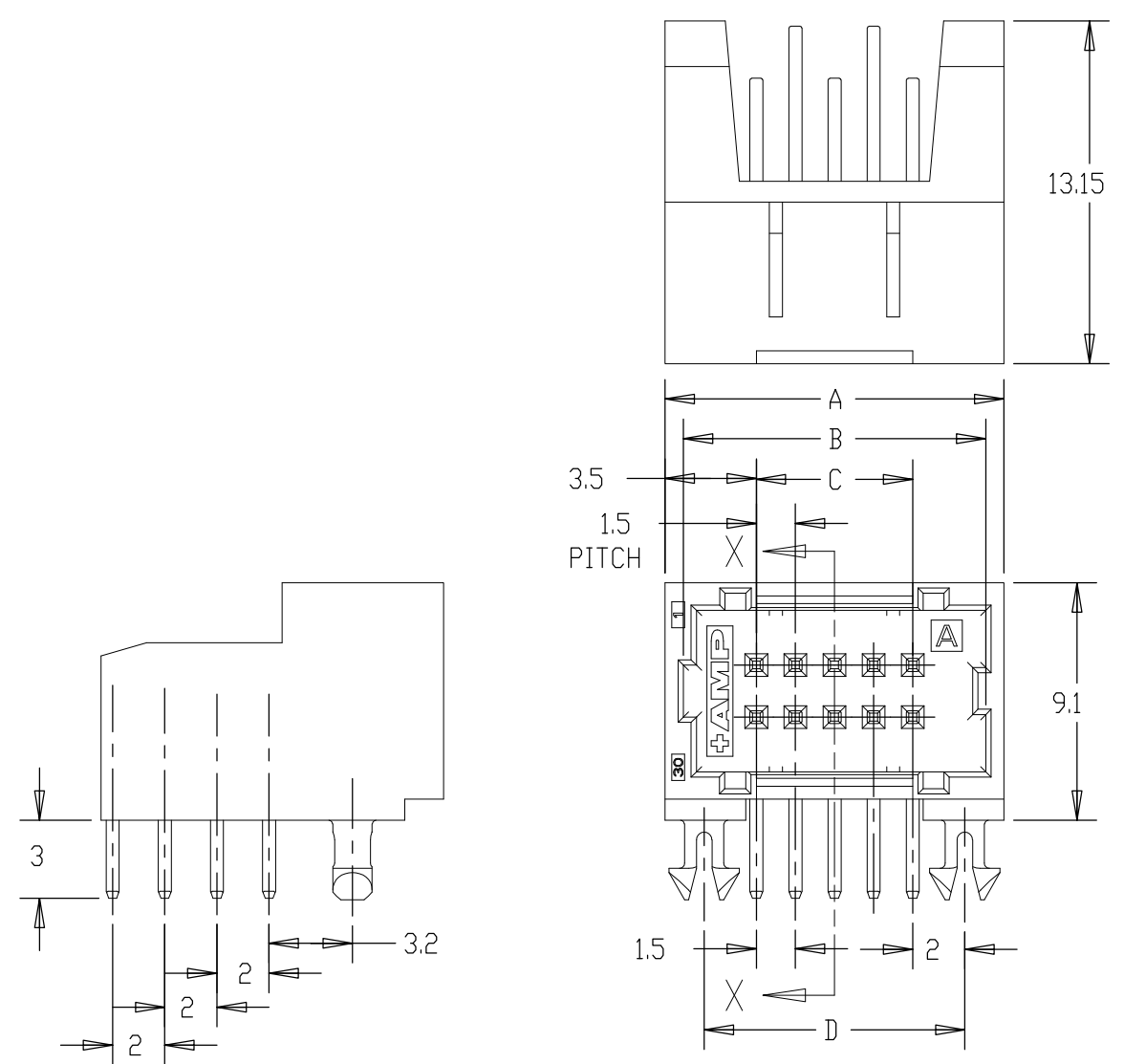
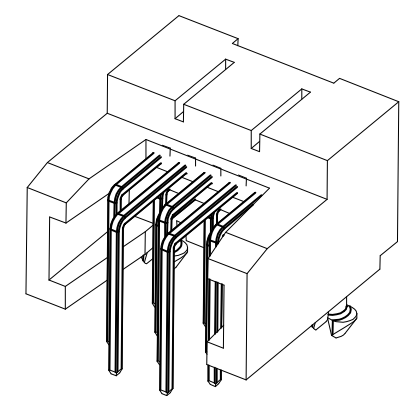


THIS DRAWING IS UNPUBLISHED. RELEASED FOR PUBLICATION
 © COPYRIGHT - By - ALL RIGHTS RESERVED.

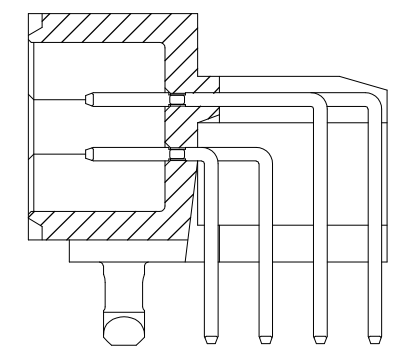
LOC	DIST	REVISIONS					
ES	00	P	LTR	DESCRIPTION	DATE	DWN	APVD
			B2	REVISED PER ECO-11-005033	29MAR11	RK	HMR



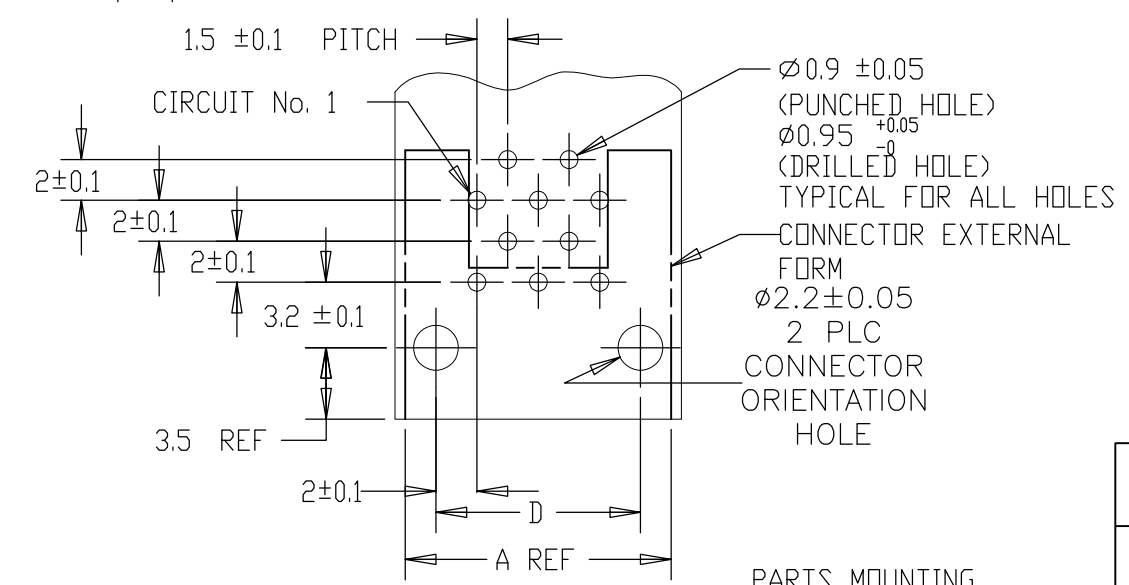
ISOMETRIC VIEW
SCALE 3:1



ISOMETRIC VIEW
SCALE 3:1



SECTION X-X



RECOMMENDED PCB LAYOUT - THK= 1.6
NON-ACCUMULATIVE TOLERANCE
SCALE 3:1

PARTS MOUNTING
SIDE

NOTES:

- MATERIAL:
HOUSING: NYLON (G.F) UL 94V-0
POST: PRE-TIN 0.5MM SQ BRASS WIRE
- GENERAL TOLERANCE ±0.3

THIS DRAWING IS A CONTROLLED DOCUMENT.		DWN J.JIANG 13FEB03	TE Connectivity															
DIMENSIONS: mm		CHK S.YAO 13FEB03																
TOLERANCES UNLESS OTHERWISE SPECIFIED:		APVD T.SASAKI 13FEB03	NAME DBL ROW (H) TYPE WITH BOADRLOCK HDR ASSY For AMP Mini Common Terminated (CT) Connector 1.5mm Pitch															
<table border="1"> <tr><td>0 PLC</td><td>± -</td></tr> <tr><td>1 PLC</td><td>± 0.3</td></tr> <tr><td>2 PLC</td><td>± 0.10</td></tr> <tr><td>3 PLC</td><td>± 0.001</td></tr> <tr><td>4 PLC</td><td>± 0.0001</td></tr> <tr><td>ANGLES</td><td>± -</td></tr> <tr><td>FINISH</td><td>± -</td></tr> </table>		0 PLC	± -	1 PLC	± 0.3	2 PLC	± 0.10	3 PLC	± 0.001	4 PLC	± 0.0001	ANGLES	± -	FINISH	± -	PRODUCT SPEC 108-60018	RESTRICTED TO	
0 PLC	± -																	
1 PLC	± 0.3																	
2 PLC	± 0.10																	
3 PLC	± 0.001																	
4 PLC	± 0.0001																	
ANGLES	± -																	
FINISH	± -																	
MATERIAL SEE NOTE		APPLICATION SPEC 114-5223	SIZE A3	CAGE CODE 00779														
		WEIGHT -	DRAWING NO C-292262	REV B2														
		CUSTOMER DRAWING		SCALE 4:1 SHEET 1 OF 2														

THIS DRAWING IS UNPUBLISHED. RELEASED FOR PUBLICATION - , - .
 © COPYRIGHT - By - ALL RIGHTS RESERVED.

LOC	DIST	REVISIONS					
		P	LTR	DESCRIPTION	DATE	DWN	APVD
ES	00		-	SEE SHEET 1	-	-	-

2.7	35.5	28.5	34.1	35.5	40	9-292262-0	4-292262-0
2.6	31.0	27.0	32.6	34.0	38	8-292262-8	3-292262-8
2.5	29.5	25.5	31.1	32.5	36	8-292262-6	3-292262-6
2.4	28.0	24.0	29.6	31.0	34	8-292262-4	3-292262-4
2.3	26.5	22.5	28.1	29.5	32	8-292262-2	3-292262-2
2.2	25.0	21.0	26.6	28.0	30	8-292262-0	3-292262-0
2.1	23.5	19.5	25.1	26.5	28	7-292262-8	2-292262-8
2.0	22.0	18.0	23.6	25.0	26	7-292262-6	2-292262-6
1.9	20.5	16.5	22.1	23.5	24	7-292262-4	2-292262-4
1.8	19.0	15.0	20.6	22.0	22	7-292262-2	2-292262-2
NET WEIGHT (g)	D	C	B	A	POS	BLUE	GRAY (NATURAL)
	DIMENSIONS					P/N	

THIS DRAWING IS A CONTROLLED DOCUMENT.		DWN	STE TE Connectivity				
DIMENSIONS: mm		CHK					
		APVD	NAME DBL ROW (H) TYPE WITH BOADRLOCK HDR ASSY For AMP Mini Common Terminated (CT) Connector 1.5mm Pitch				
		PRODUCT SPEC	SIZE				
MATERIAL		SEE SHEET 1	CAGE CODE	DRAWING NO	RESTRICTED TO		
SEE NOTE 1		SEE SHEET 1	A3	00779	C-292262	-	
FINISH		WEIGHT	CUSTOMER DRAWING		SCALE	SHEET	REV
					1:1	2 OF 2	B2