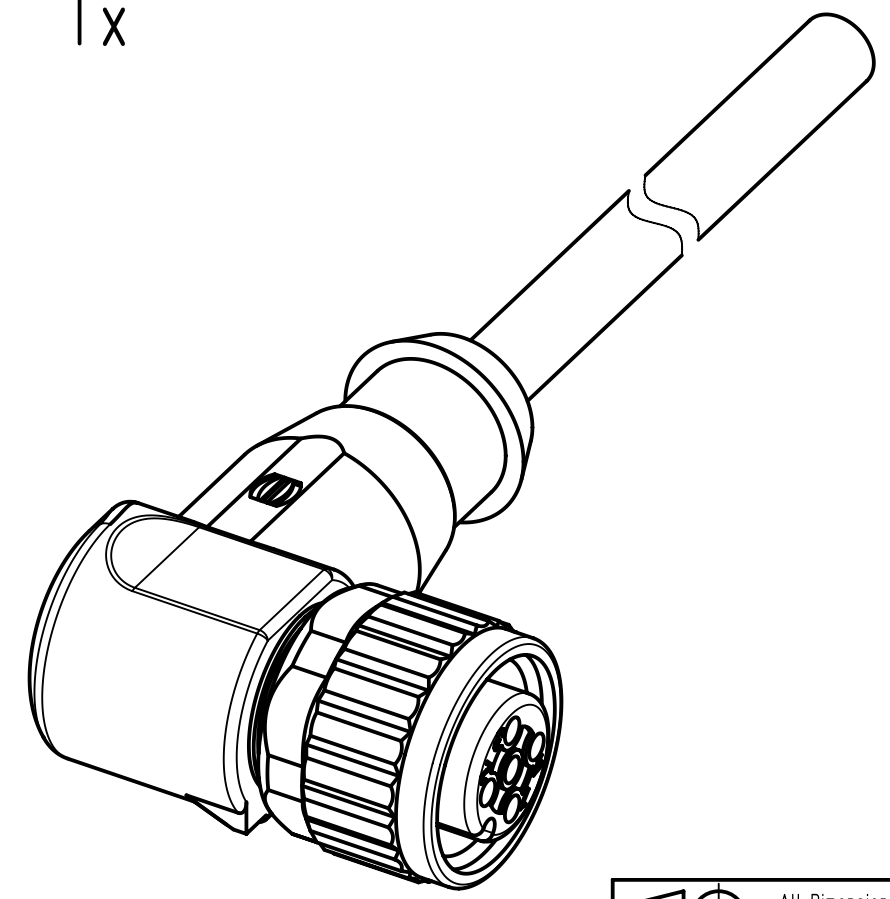


- Loading-Plan:**
- 1 — brown
  - 2 — white
  - 3 — blue
  - 4 — black
  - 5 — green-yellow



Protection level: IP67  
 Temperature range: -25°C ... +80°C

length in "1m" step	40	XXX=400
	39	XXX=390
	·	·
	12	XXX=120
	11	XXX=110
length in "0.1m" step	10	XXX=100
	9.9	XXX=099
	9.8	XXX=098
	·	·
	0.4	XXX=004
	0.3	XXX=003
	0.2	XXX=002
	0.1	XXX=001
<b>Step</b>	<b>a [m]</b>	<b>XXX</b>

4.0 to 40	+1%
0.1 to 3.9	+0.04
<b>a [m]</b>	<b>Tolerance</b>

**Part no.** 213487005XXXXXX

<b>Type of cable</b>	XX
PUR black, 5x0.34mm <sup>2</sup>	XX=92
PVC grey, 5x0.34mm <sup>2</sup>	XX=85

	All rights reserved		Scale 2:1		Free size tol.		Ref.	
	Department EC PD - RO		Created by POPESCUD	Inspected by AVRAM	Standardisation HOFFMANN	Date 2016-04-13	State Final Release	
HARTING Electronics GmbH		Title M12 A-coded Cable Assembly				Doc-Key / ECM-Nr. 100578864/UGD/009/B 500000103214		
D-32339 Espelkamp		Type TB	Number 213487005XXXXXX			Rev. B	Page 1/1	