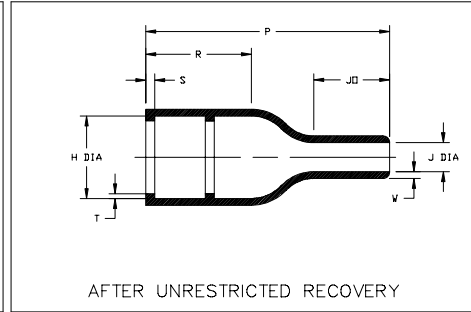
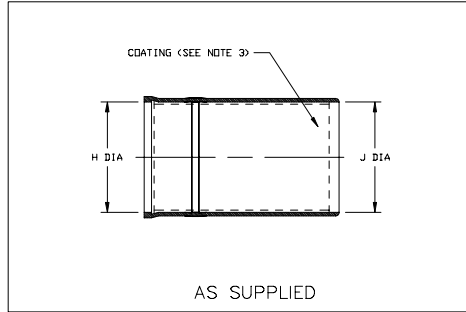


Thermofit[®] Molded Parts
 Specification Control Drawing
 Limited Distribution

Part Number : 202D1XX-X-01
 Description : Boot, Straight With Lips

NOTES

- All dimensions are in $\frac{\text{inches}}{\text{[millimeters]}}$
- Dimensions appearing in table are as follows:
 - a - As Supplied
 - b - After Unrestricted Recovery
- Coating is optional. As supplied dimensions appearing in table are for uncoated parts. When coating is added, entry diameters will be reduced by .06 max.



| PART NUMBER | H | | J | | P ±10% | R Ref | S Ref | T Ref | J0 ±10% | W ±20% |
|--------------|----------------|---------------|----------------|--------------|----------------|---------------|--------------|--------------|---------------|---------------|
| | Min | Max | Min | Max | | | | | | |
| | a | b | a | b | b | b | b | b | b | |
| 202D121-X-01 | 1.11 [28,2] | .41 [10,5] | 1.11 [28,2] | .22 [5,6] | 1.50 [38,1] | .83 [21,1] | .12 [3,0] | .04 [1,0] | .40 [10,2] | .07 [1,78] |

**If this document is printed it becomes uncontrolled.
 Check for the latest revision.**

Raychem

RAYCHEM CORPORATION
 300 CONSTITUTION DRIVE
 MENLO PARK, CALIFORNIA 94025

Revision : A
 Date : 7/16/97

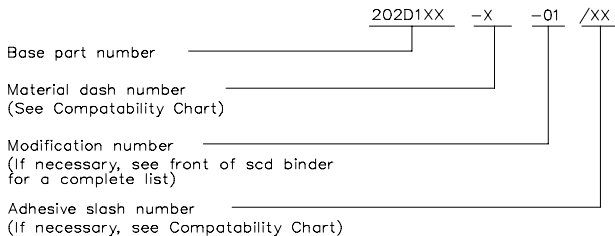
Part Number : 202D1XX-X-01
 Description : Boot, Straight With Lips

Thermofit[®] Molded Parts
 Specification Control Drawing
 Limited Distribution

Part Number : 202D1XX-X-01
 Description : Boot, Straight With Lips

| MATERIAL DASH NO. | MATERIAL DESCRIPTION | RT SPEC | COATING SLASH NO. | COATING S NO. | COATING DESCRIPTION |
|-------------------|------------------------|---------|-------------------|---------------|---------------------|
| -3 | Polyolefin, Semi-rigid | RT-301 | /86 | S-1048 | Adhesive |
| -4 | Polyolefin, Flexible | RT-1304 | /86 | S-1048 | Adhesive |
| | | | | | |
| | | | | | |
| | | | | | |

ORDERING INFORMATION



THIS DRAWING IS SUBJECT TO CHANGE WITHOUT NOTICE; CONSULT YOUR
 NEAREST FIELD REPRESENTATIVE FOR CURRENT REVISION

Raychem

RAYCHEM CORPORATION
 300 CONSTITUTION DRIVE
 MENLO PARK, CALIFORNIA 94025

Revision : A
 Date : 7/16/97

Part Number : 202D1XX-X-01
 Description : Boot, Straight With Lips