



## 60W Passive Power over Ethernet Adapter Lowest Cost Ultra PoE Power Injector



### Features

- Continuous flow of power with no detection
- Very Low leakage
- Non-Vented Case
- 2 or 3 Wire Options
- 1 Year Warranty
- Lowest Cost Ultra PoE
- Full Protection OCP, OVP
- Level V Efficiency
- Optional Gigabit Base-T Data Rate

### Applications

- Satellite Receivers
- Wireless Network Access Points
- Kiosks
- Security Camera
- LCD Displays
- WiMax Access Points

### Safety Approvals

- cUL/UL
- CE

### Mechanical Characteristics

- Length: 163mm (6.4in)
- Width: 65mm (2.56in)
- Height: 36mm (1.42in)
- Weight: 0.4Kg

### Output Specifications

Model Number	Output Voltage	Output Current	Input Connector	Gigabit
POE61U - 560D	56V	1.1 A	3 Wire C14	No
POE61U - 560DG	56V	1.1A	3 Wire C14	Yes
POE61W -560D	56V	1.1A	2 Wire C8	No
POE61W- 560DG	56V	1.1A	2 Wire C8	Yes

Phihong is not responsible for any error, and reserves the right to make changes without notice. Please visit our website at [www.phihong.com](http://www.phihong.com) for the most up-to-date specifications and contact information.

**INPUT:****AC Input Voltage Range**

90 to 264VAC

**AC Input Voltage Rating**

100 to 240VAC, 47-63Hz

**AC Input Current**

2.0A (RMS) maximum for 90VAC

1.2A (RMS) maximum for 240VAC

**Leakage Current**

0.25mA maximum for 264VAC, 50Hz (U Models)

0.25mA maximum for 264VAC, 50Hz (W models)

**AC Inrush Current**

30A maximum for 115VAC

60A maximum for 230VAC

(at cold start, 25°C)

**OUTPUT:****Total Output Power**

60W

**Output Ripple**

250mVp-p

**DC Offset**

No data degradation with DC imbalance 18mA

**Efficiency**

Meets Level V Requirements; 87% minimum

**Hold-up Time**

10mS min. 120VAC and maximum load

**ENVIRONMENTAL:****Temperature**

Operation 0 to +40°C

Non-operation -20 to +65°C

**Humidity**

Operation 5 to 90%

**EMC**

FCC Part 15 Class A

EN55022 Class A

**Isolation Test**

Primary to Secondary: 4242VDC for 1 minute, 10mA

Primary to F.G.: 2121VDC for 1 minute, 10mA

Secondary to F.G.: 2121VDC for 1 minute, 10mA

**Immunity**

ESD: EN61000-4-2. Level 3

RS: EN61000-4-3. Level 2

EFT: EN61000-4-4. Level 2

Surge: EN61000-4-5. Level 3

CS: EN61000-4-6. Level 2

Voltage Dips EN61000-4-11

Harmonic: EN61000-3-2 Class A

**Insulation Resistance**

Primary to Secondary: &gt;10M OHM 500VDC

Primary to Field Ground: &gt;10M OHM 500VDC

**FEATURE:****Over Voltage/Current, Short Circuit Protection**

Outputs equipped with short circuit protection and overload protection.

The output can be shorted permanently without damage

**Input Connector**

IEC320 C14 for U Models

IEC320 C8 for W Models

**Output Connection**

4-pair powering for Gigabit models

Pins 3,6, 4,5(+) Pins 1,2, 7,8 (-)

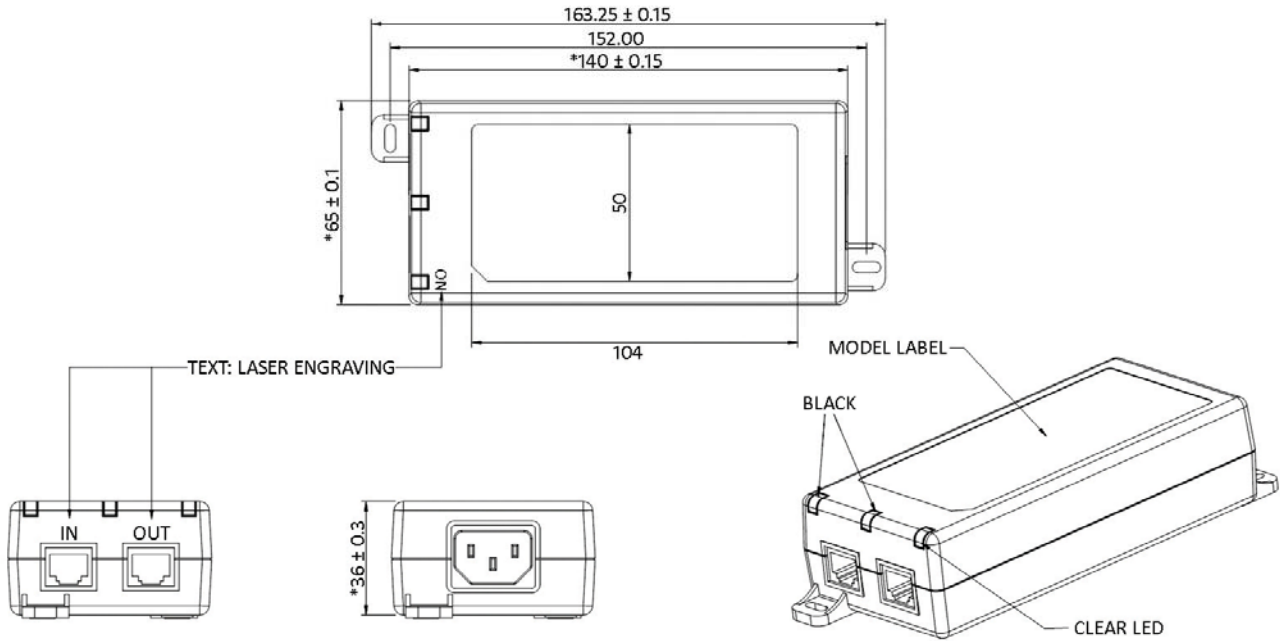
2-pair powering for non-gigabit models

Pins 4,5(+) Pins 7,8 (-)

**Warranty**

1 Year

### POE61U Series with 3 Wire Input



### POE61W Series with 2 Wire Input

