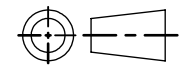
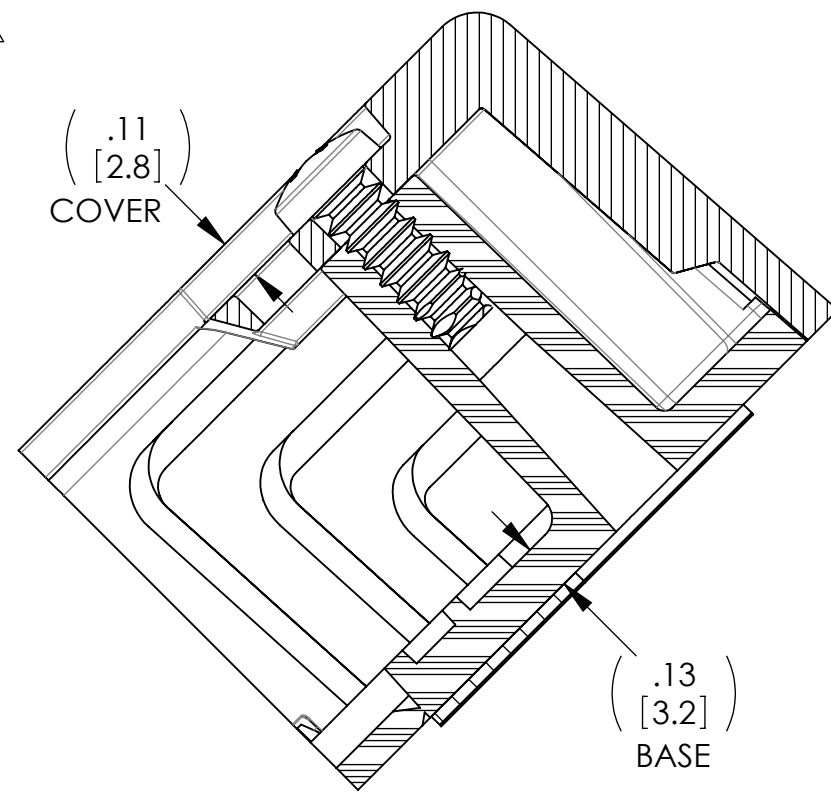
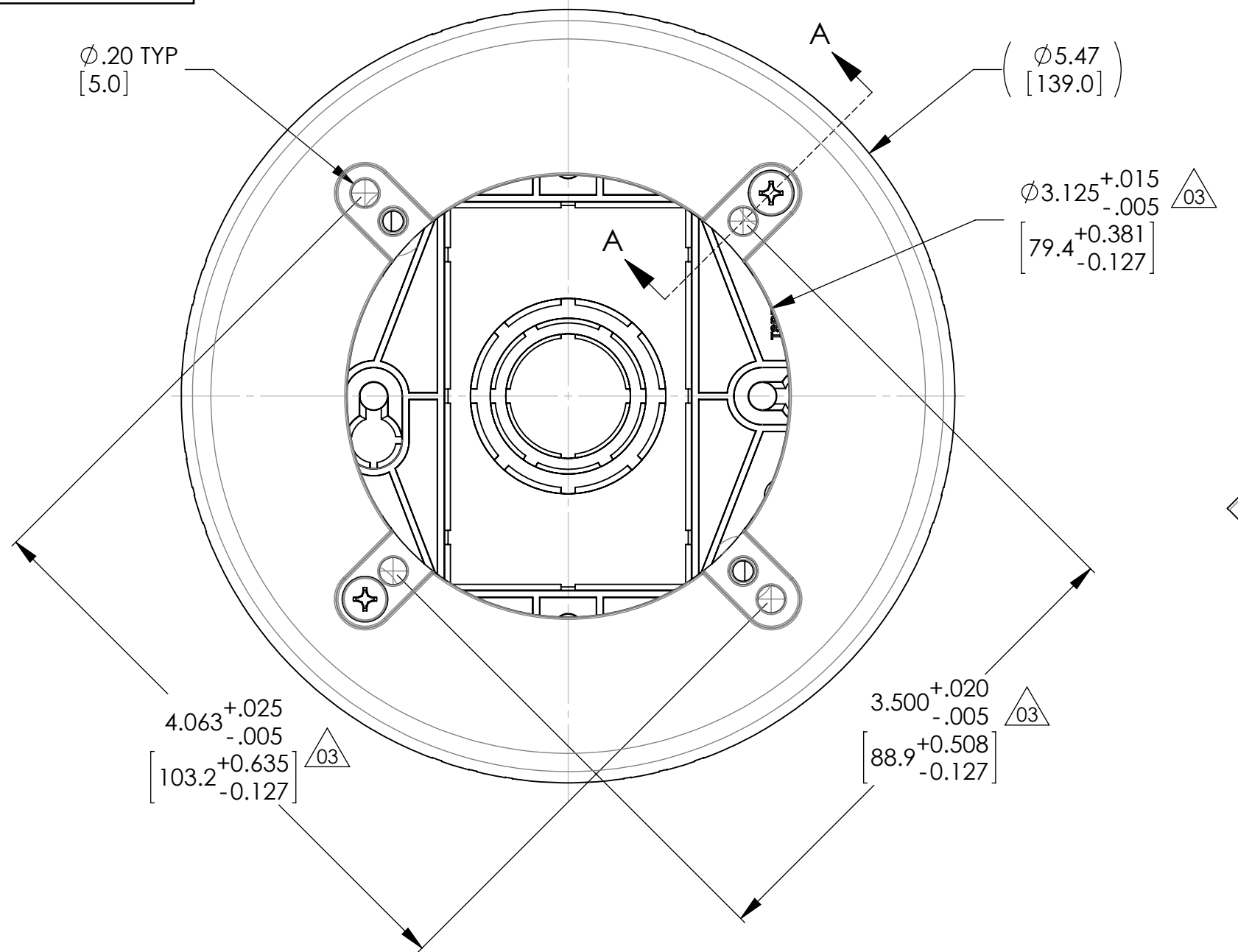


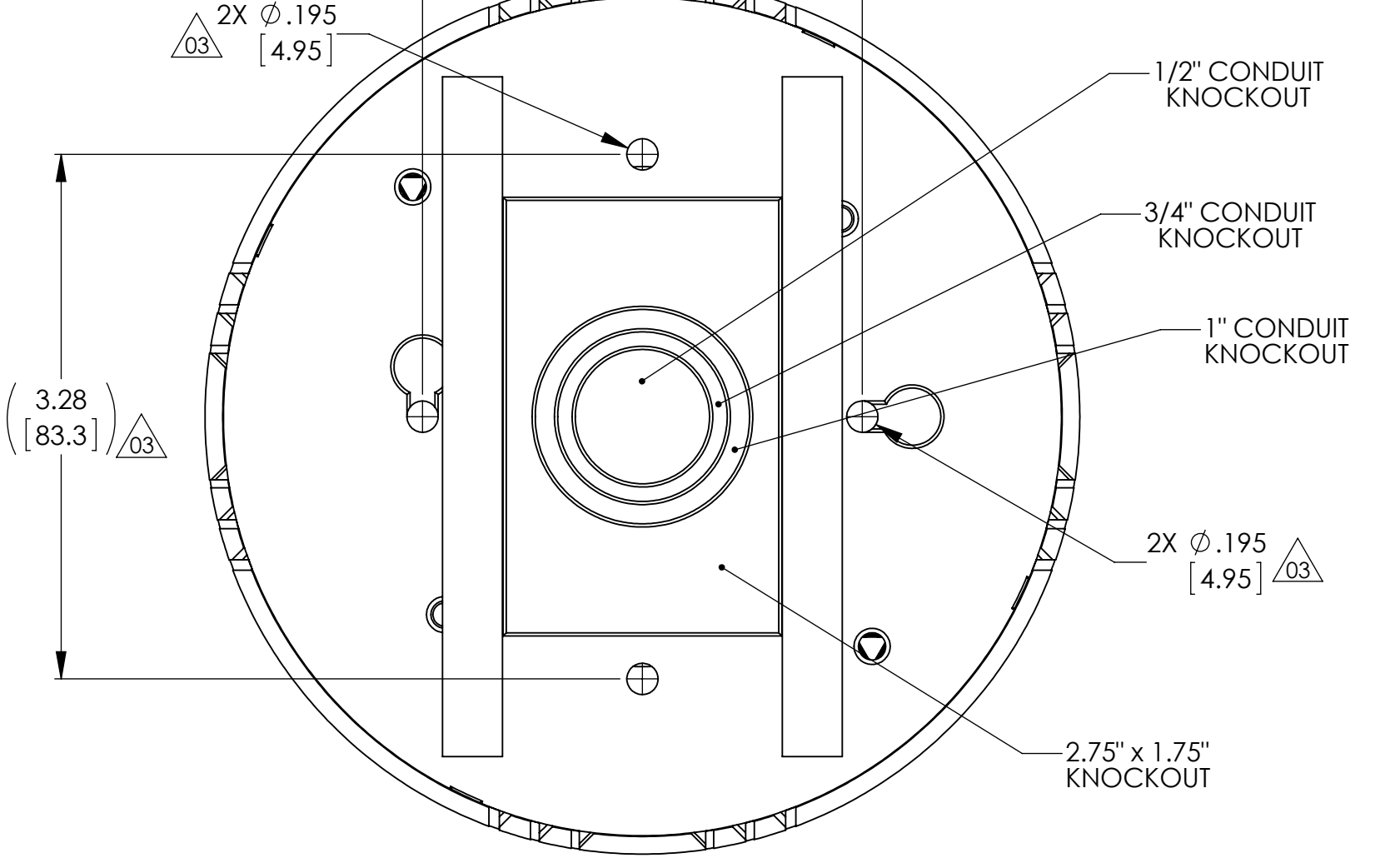
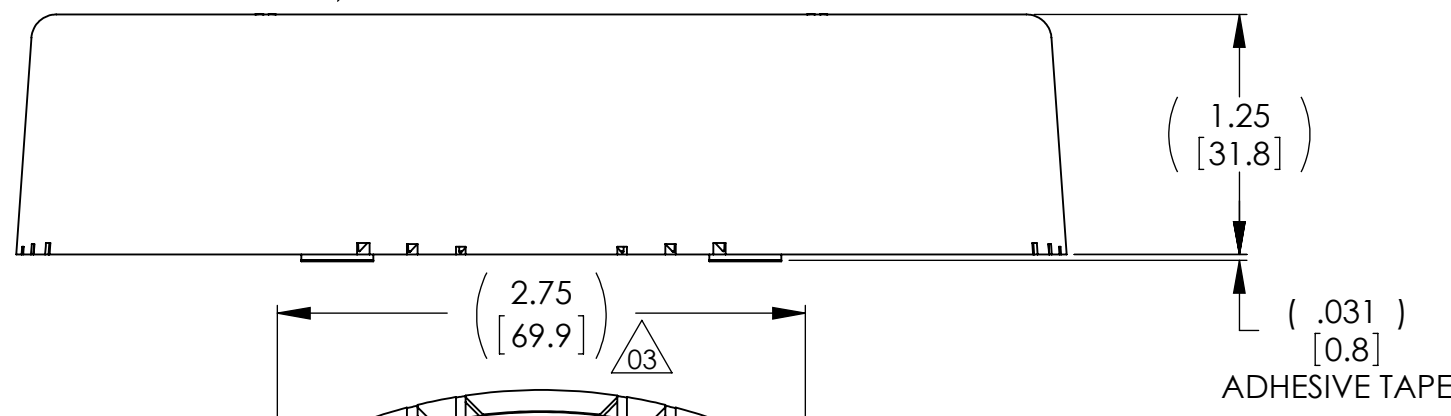
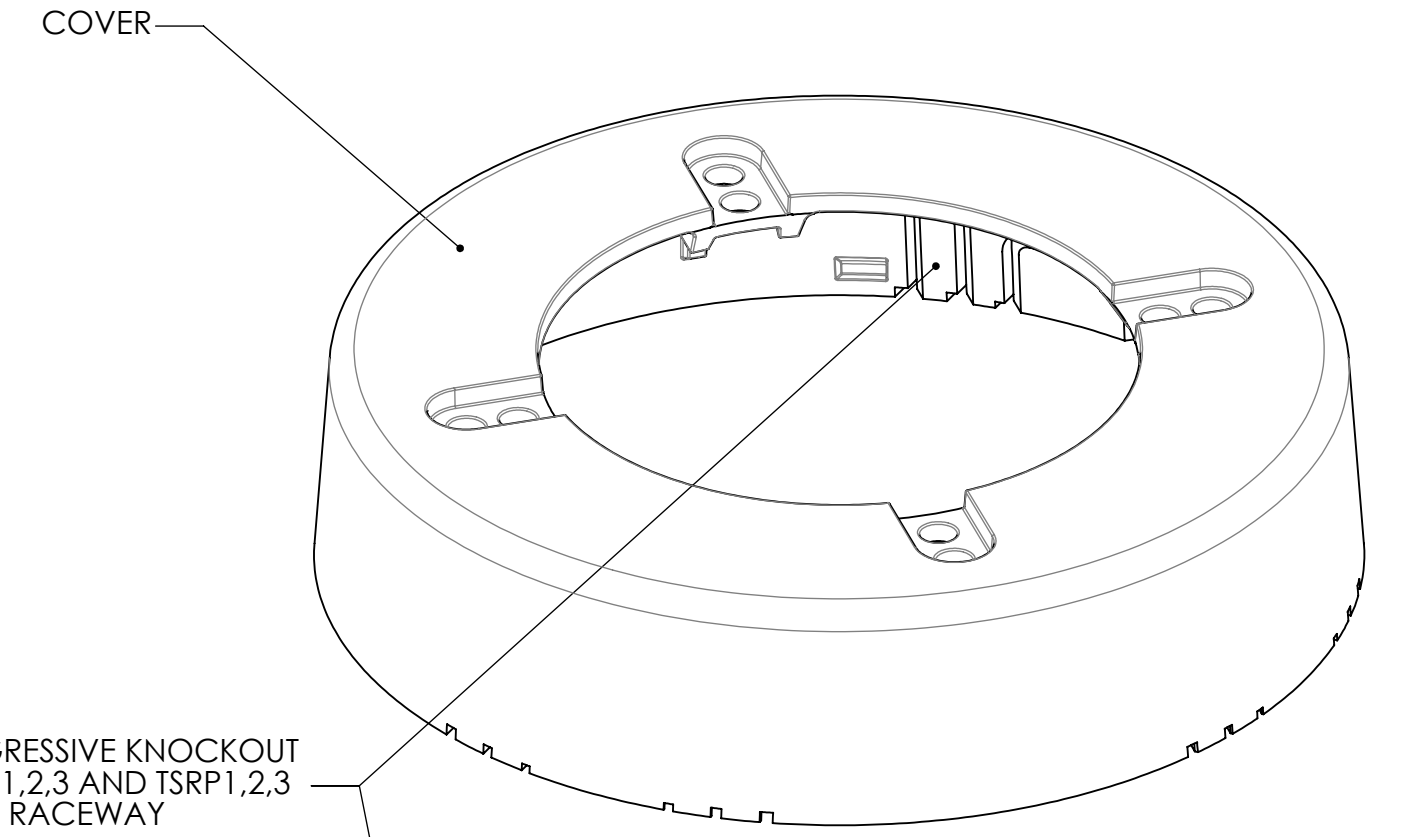
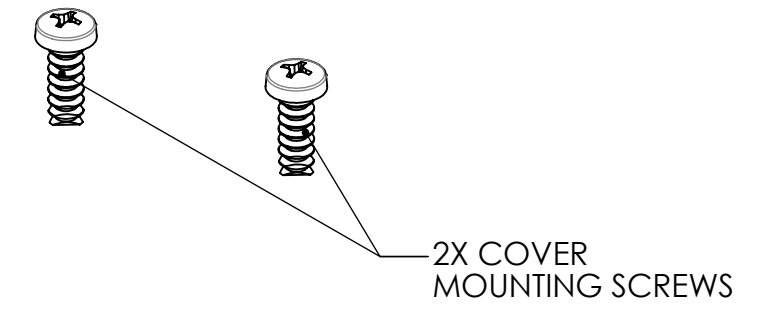
SW2011



Revision level		Revision Record	Changed	Date	Approved	Date
Drawing	Part					
03	-	SEE ECN# 012389	CJR	06/19/2013	CJR	06/19/2013



NOTE:
ALL COMPONENTS SHIP
LOOSE IN PACKAGE.



PRODUCT CODE DESCRIPTION

TSR__-RB
 ↑
 COLOR
 I=IVORY
 FW=OFFICE WHITE
 W=WHITE
 (FOR OTHER COLORS
 CONTACT FACTORY)

PART NO.	DESCRIPTION
TSRP_-RB	POWER-RATED SYSTEM
TSR_-RB	LOW VOLTAGE SYSTEM

- Notes
- FEATURES:
- ADHESIVE STRIPS PROVIDED FOR EASY PLACEMENT OF BASE DURING ASSEMBLY
 - SCREWS PROVIDED FOR MOUNTING OF COVER TO BASE
 - KNOCKOUT ENTRIES FOR ALL 3 SIZES OF TSR AND TSRP RACEWAY
 - LOW PROFILE
 - PAINABLE WITH LATEX BASED PAINT
 - FACE PLATE MOUNTS TO COVER DIRECTLY FOR EASY ACCESS
 - CONDUIT AND RECTANGULAR KNOCKOUTS PROVIDED ON BASE
 - BASE IS RIBBED FOR STABILITY

Material	Units	inches
PVC	Dimension without tolerances details to:	
	.xxxx = ±.0005	
	.xxx = ±.005	
	.xx = ±.01	
	.x = ±.03	
	None = ±.06	
	< = ±0.5*	

The copyright of this drawing is reserved by HellermannTyton. It is issued on condition that it is not reproduced, copied, or disclosed to a third party, either wholly or in part, without the consent of HellermannTyton.

Drawn: CJR 09/27/2012
 Approved: CJR 01/11/2013

HellermannTyton
 North America
 Email: corp@htamericas.com
 Web: www.hellermann.tyton.com

Article/Type-No	TSR_-RB & TSRP_-RB /03	Scale	1:1
Title	ASSY, TSRP & TSR, ROUND JUNCTION BOX	Project Number	PRP12-0638
Drawing-No	12-0638-101-CSU	Format	C
Production : Phase		Sheet	1/1