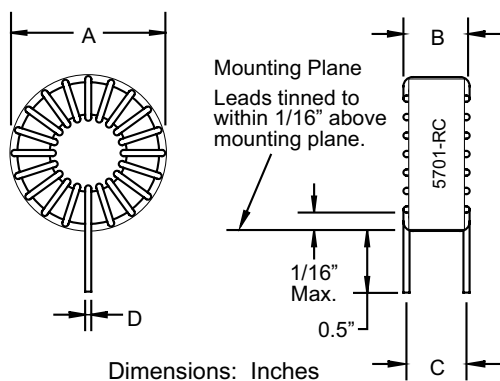


High Current Toroid Inductors

Features

- Low radiation
- High current capacity
- High inductance
- Increase inductance with AC excitation current to compensate reduced inductance with DC bias
- Low cost
- Operating temperature: -55 to 105 °C

† RoHS Directive 2002/95/EC Jan. 27, 2003 including annex and RoHS Recast 2011/65/EU June 8, 2011.



| 5700 Series | | | | | | | | |
|-------------|----------------------|------------|-----------------------|------------|-------------|-------------|-------------|-------------|
| Part Number | L (μH) ±15 % @ 1 KHz | I (A) Max. | L (μH) Min. @ I rated | DCR Ω Max. | Dim. A Max. | Dim. B Max. | Dim. C Nom. | Dim. D Nom. |
| 5701-RC | 10 | 11.00 | 5 | 0.008 | 0.875 | 0.437 | 0.32 | 0.064 |
| 5702-RC | 25 | 5.50 | 12 | 0.014 | 0.875 | 0.437 | 0.30 | 0.040 |
| 5703-RC | 125 | 2.75 | 70 | 0.12 | 0.875 | 0.437 | 0.30 | 0.020 |
| 5704-RC | 275 | 2.00 | 150 | 0.24 | 0.875 | 0.437 | 0.30 | 0.016 |
| 5705-RC | 450 | 1.50 | 270 | 0.49 | 0.875 | 0.437 | 0.30 | 0.016 |
| 5706-RC | 25 | 9.00 | 15 | 0.012 | 1.125 | 0.562 | 0.45 | 0.064 |
| 5707-RC | 75 | 5.00 | 40 | 0.04 | 1.125 | 0.562 | 0.42 | 0.036 |
| 5708-RC | 400 | 2.25 | 225 | 0.33 | 1.125 | 0.562 | 0.42 | 0.018 |
| 5709-RC | 800 | 1.75 | 475 | 0.64 | 1.125 | 0.562 | 0.42 | 0.015 |
| 5710-RC | 1000 | 1.50 | 575 | 0.98 | 1.125 | 0.562 | 0.40 | 0.012 |
| 5711-RC | 50 | 9.50 | 25 | 0.012 | 1.250 | 0.625 | 0.53 | 0.064 |
| 5712-RC | 150 | 4.75 | 85 | 0.046 | 1.250 | 0.625 | 0.50 | 0.036 |
| 5713-RC | 700 | 2.25 | 400 | 0.42 | 1.250 | 0.625 | 0.50 | 0.018 |
| 5714-RC | 1250 | 1.75 | 750 | 0.85 | 1.250 | 0.625 | 0.48 | 0.015 |
| 5715-RC | 1600 | 1.50 | 950 | 1.27 | 1.250 | 0.625 | 0.48 | 0.012 |
| 5716-RC | 125 | 7.75 | 65 | 0.032 | 1.812 | 0.750 | 0.68 | 0.064 |
| 5717-RC | 500 | 4.00 | 275 | 0.15 | 1.812 | 0.750 | 0.65 | 0.032 |
| 5718-RC | 1100 | 2.50 | 650 | 0.33 | 1.812 | 0.750 | 0.65 | 0.025 |
| 5719-RC | 2250 | 1.75 | 1350 | 0.92 | 1.812 | 0.750 | 0.65 | 0.018 |
| 5720-RC | 4500 | 1.25 | 2700 | 2.64 | 1.812 | 0.750 | 0.65 | 0.012 |
| 5721-RC | 250 | 8.00 | 125 | 0.041 | 2.125 | 0.937 | 0.79 | 0.062 |
| 5722-RC | 900 | 3.75 | 500 | 0.175 | 2.125 | 0.937 | 0.75 | 0.032 |
| 5723-RC | 1800 | 2.50 | 1000 | 0.55 | 2.125 | 0.937 | 0.75 | 0.023 |
| 5724-RC | 4000 | 1.75 | 2100 | 1.16 | 2.125 | 0.937 | 0.74 | 0.018 |
| 5725-RC | 8000 | 1.00 | 4500 | 3.34 | 2.125 | 0.937 | 0.74 | 0.012 |
| 5726-RC | 25 | 2.50 | 16 | 0.040 | 0.550 | 0.220 | 0.21 | 0.020 |
| 5727-RC | 35 | 2.50 | 29 | 0.035 | 0.700 | 0.320 | 0.30 | 0.025 |
| 5728-RC | 50 | 2.50 | 35 | 0.060 | 0.750 | 0.320 | 0.28 | 0.020 |
| 5729-RC | 100 | 2.50 | 70 | 0.080 | 0.850 | 0.360 | 0.33 | 0.020 |
| 5730-RC | 70 | 3.00 | 50 | 0.050 | 0.850 | 0.360 | 0.33 | 0.025 |
| 5731-RC | 40 | 4.00 | 30 | 0.025 | 0.850 | 0.360 | 0.34 | 0.032 |

"-RC" suffix indicates RoHS compliance.