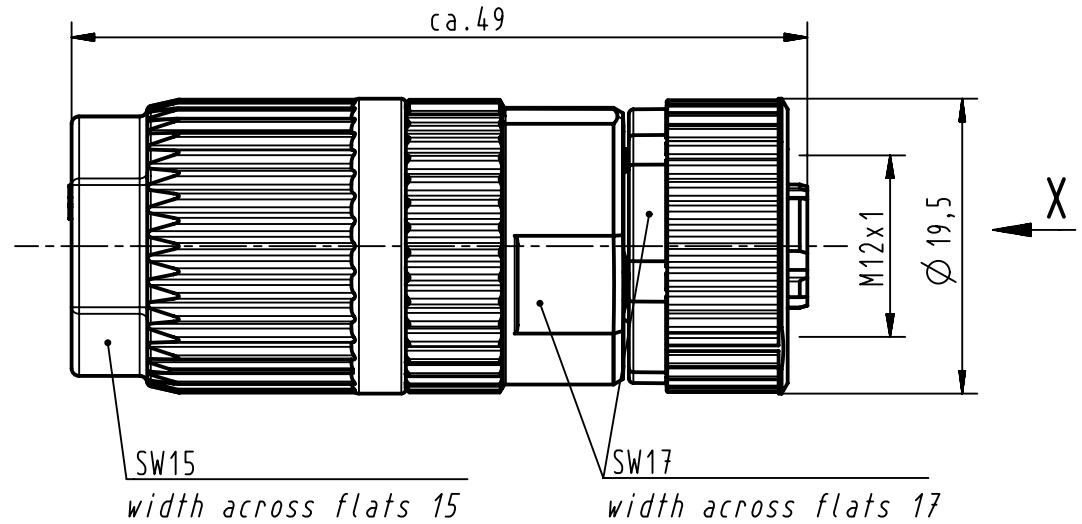
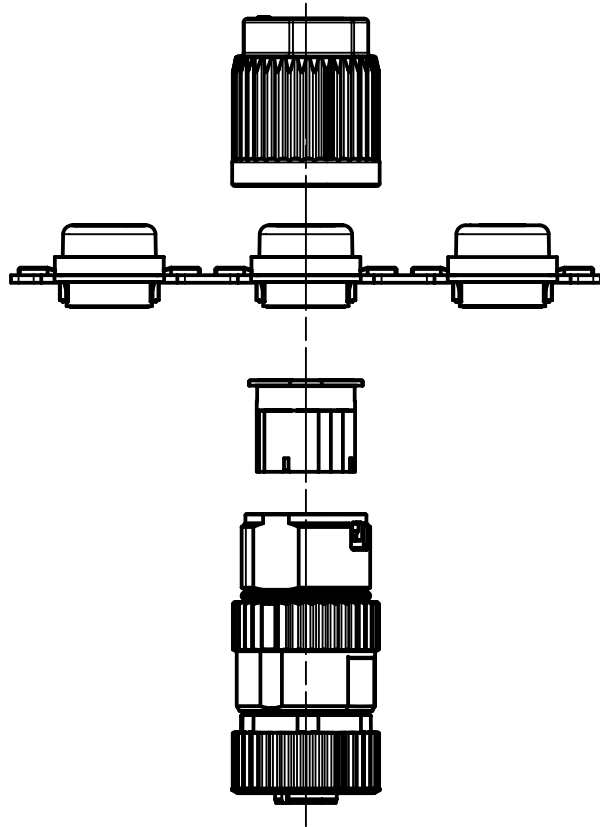
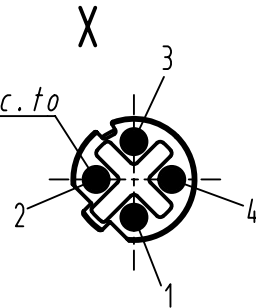


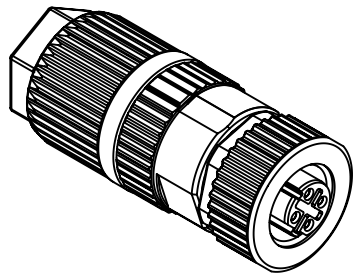
(1:1)



Steckgesicht n.
Contact face acc.to
IEC 61076-2-101



Leiterquerschnitt conductor cross section	0,14 - 0,34mm ² AWG26-AWG22
Kabeldurchmesser cable outside diameter	4,5 - 8,8mm



	All Dimensions in mm Original Size DIN A4	Scale	Free size tol.			Ref.
		2:1				Sub.
All rights reserved Department EC PD - DE	HARTING Electronics GmbH D-32339 Espelkamp	Created by	Inspected by	Standardisation	Date	State
		DYCKC	HARLASS	HOFFMANN	2012-11-22	Final Release
Title					Doc-Key / ECM-Nr.	
M12-L shielded female 4-pole D-coded					100196014/UGD/004/D 500000056896	
Type	Number	Rev.			Page	
TB	21032812405	D			1/1	