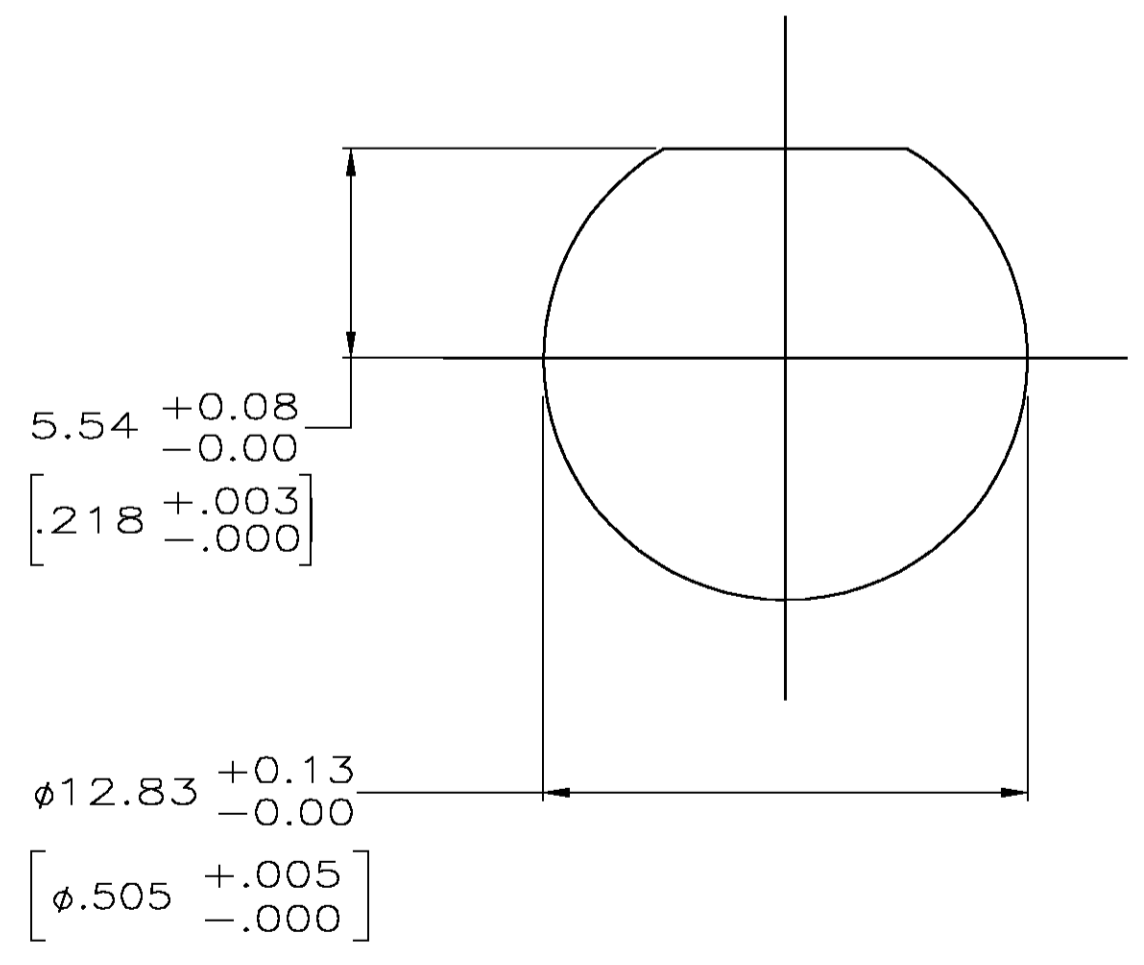
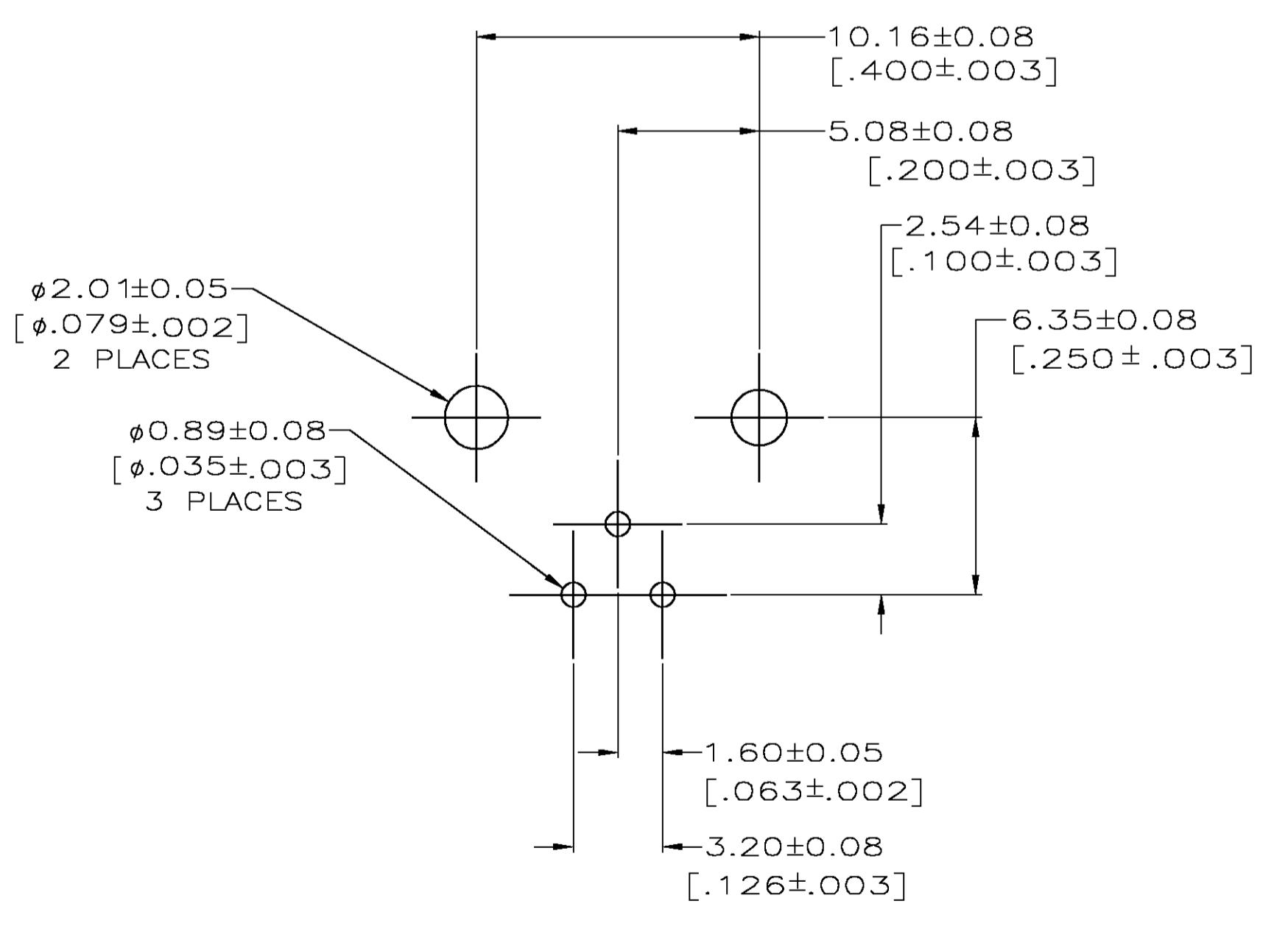


- 1 POLYESTER, PBT, 15% GLASS FIBER REINFORCED, NATURAL, PER MIL-M-24519.
- 2 ZINC PER QQ-Z-363.
- 3 POLYMETHYLPENTENE, GENERAL PURPOSE.
- 4 PHOSPHOR BRONZE PER QQ-B-750.
- 5 BRASS PER QQ-B-626.
- 6 BRASS PER ASTM-B-453.
- 7 NICKEL PL PER QQ-N-290, 3.81  $\mu\text{m}$  [.000150] MINIMUM THICK
- 8 GOLD PL PER MIL-G-45204, 0.76  $\mu\text{m}$  [.000030] MINIMUM THICK
- 9 TIN PL PER ASTM-B-545 3.81  $\mu\text{m}$  [.000150] MINIMUM THICK



PCB CONFIGURATION

RECOMMENDED PANEL CUTOUT

228686-1  
PART NO

THIS DRAWING IS A CONTROLLED DOCUMENT.		DMN R. E. RUTH 3-8-91	10/30/90	Tyco Electronics Corporation Harrisburg, PA 17105-3608	
DIMENSIONS: INCHES		CHK A. GABANY 3-8-91	APVD A. GABANY 3-8-91	NAME JACK ASSEMBLY, RIGHT ANGLE, PCB, SERIES TWIN BNC	
TOLERANCES UNLESS OTHERWISE SPECIFIED: 0 PLG ± - 1 PLG ± - 2 PLG ± 0.20 [.008] 3 PLG ± - 4 PLG ± - ANGLES ± -		APPLICATION SPEC		RESTRICTED TO	
MATERIAL A1		FINISH A1		SIZE A1	CAGE CODE 00779
CUSTOMER DRAWING		DRAWING NO C=228686		SCALE 5:1	SHEET 1 OF 1