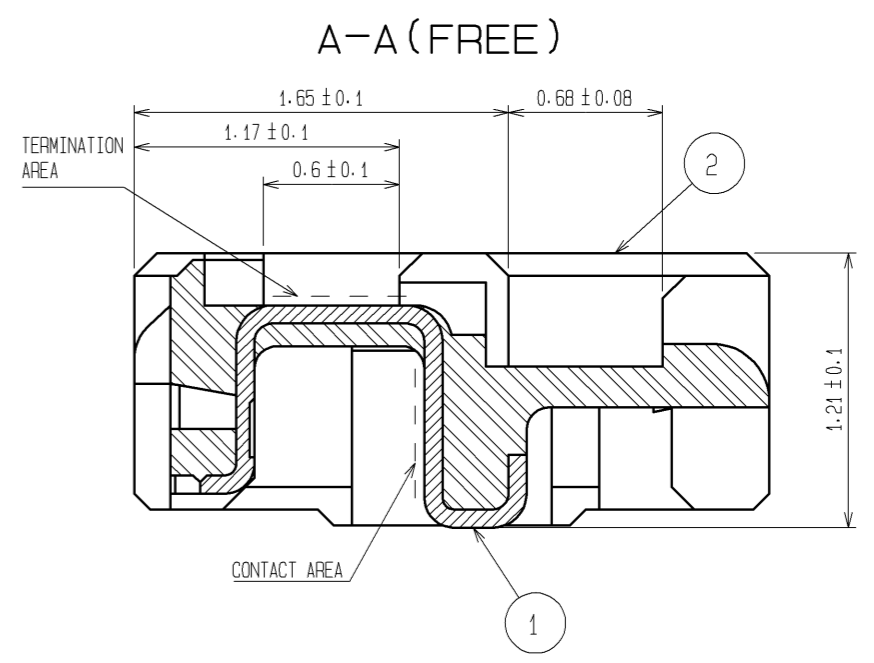
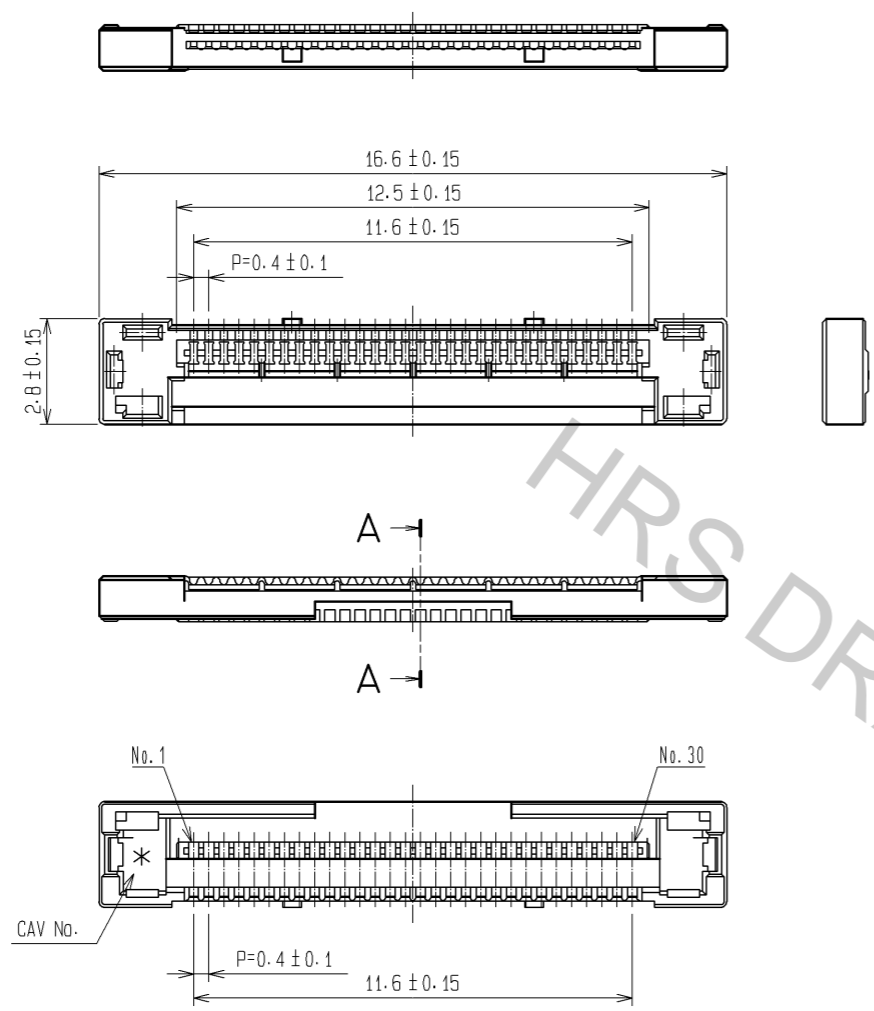
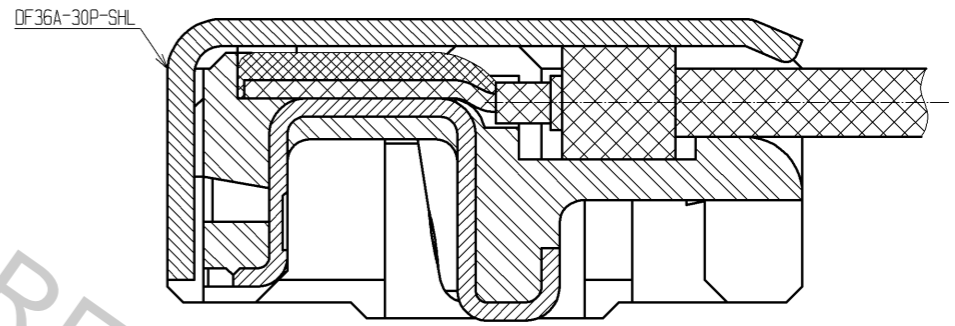


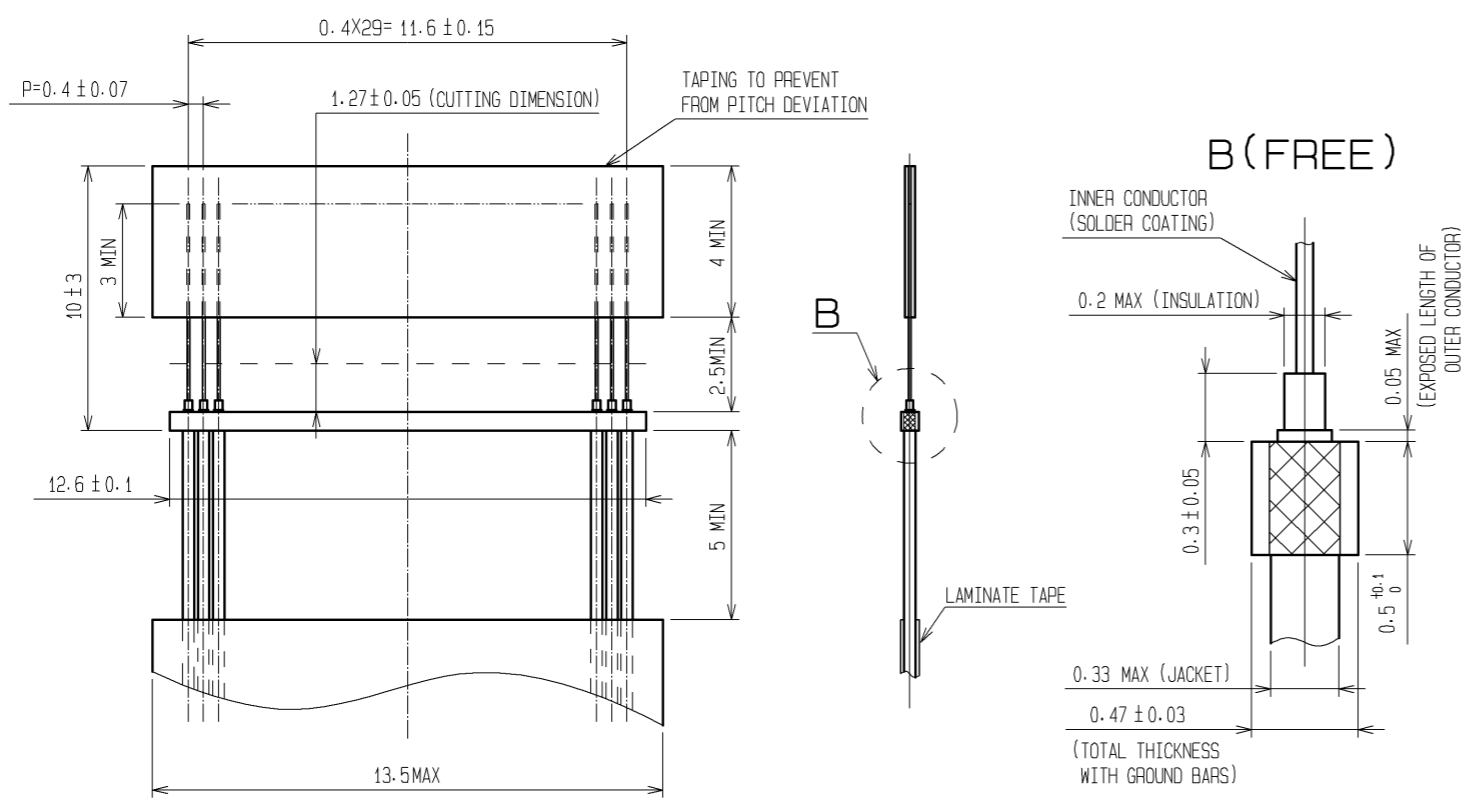
Apr.1.2017 Copyright 2017 HIROSE ELECTRIC CO., LTD. All Rights Reserved.



CABLE TERMINATION FIGURE(FREE)



RECOMMENDED CABLE SUBASSEMBLY



- NOTES 1. APPLICABLE CABLE: THIN COAXIAL CABLE (AWG#42-AWG#46)
 2. THIS CONNECTOR IS NOT HOT PLUGGABLE. MATE AND UNMATE WHILE THE POWER IS OFF.
 3. THE ASSEMBLY IS COMPLETED BY COMBINING TWO PARTS 'CONNECTOR UNIT AND METAL SHIELDING'. REFER TO THE TABLE FOR EACH ITEM No., PART NAME, PART No. AND CODE No.

ITEM No.	PART NAME	PART No.	CODE No.
1, 2	CONNECTOR UNIT	DF36-30P-0.4SD(55)	CL662-4018-3-55
-	METAL SHIELDING	DF36A-30P-SHL	CL662-4019-6-00

NO.	MATERIAL	FINISH	REMARKS	NO.	MATERIAL	FINISH	REMARKS
1	PHOSPHOR BRONZE		CONTACT AREA : GOLD PLATING 0.1µm min TERMINATION AREA : GOLD PLATING 0.1µm min UNDER PLATING : NICKEL PLATING 1µm min	5	PS		BLACK
				4	POLYESTER		CLEAR
				3	PS		CLEAR
				2	LCP		UL94V-0 . BLACK

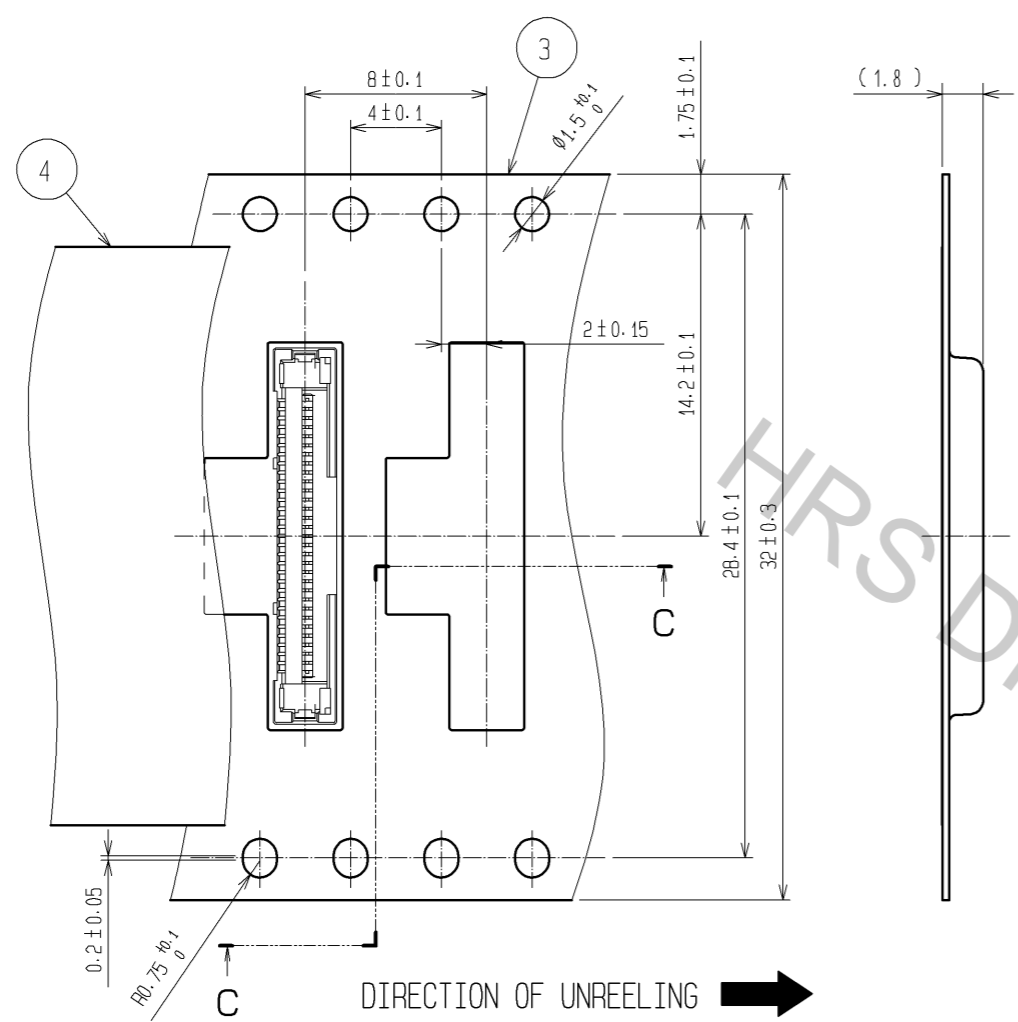
UNITS	SCALE	COUNT	DESCRIPTION OF REVISIONS	DESIGNED	CHECKED	DATE
mm	5 : 1	△				

HRS HIROSE ELECTRIC CO., LTD.	APPROVED : MH. YAMANE	14.05.27	DRAWING NO. EDC3-315347-03 PART NO. DF36-30P-0.4SD(55) CODE NO. CL662-4018-3-55
	CHECKED : MH. TSUCHIDA	14.05.27	
	DESIGNED : AH. MIYAZAKI	14.05.26	
	DRAWN : AH. MIYAZAKI	14.05.26	

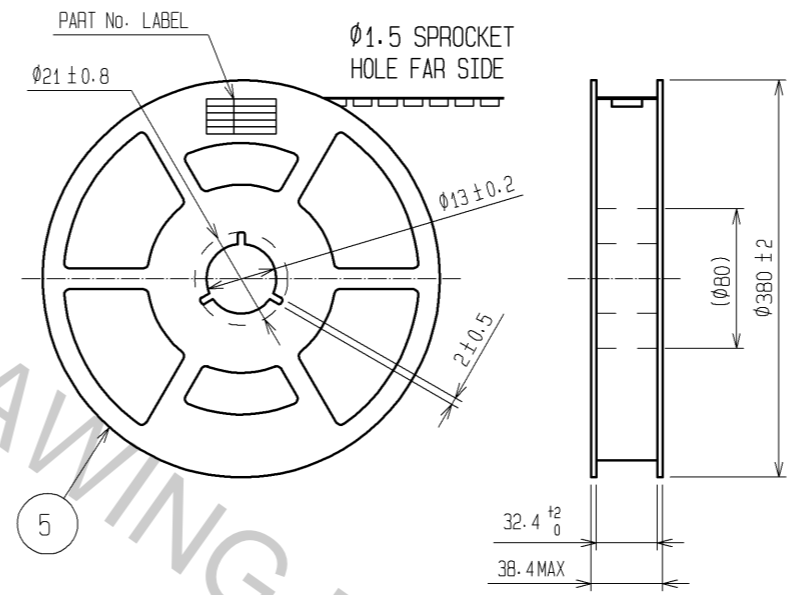
1 2 3 4 5 6 7 8

A
B
C
D
E
F

A
B
C
D
E
F



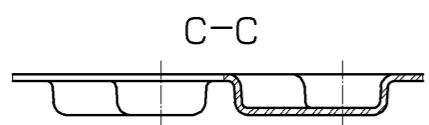
STYLE AND DIMENSION OF REEL (FREE)



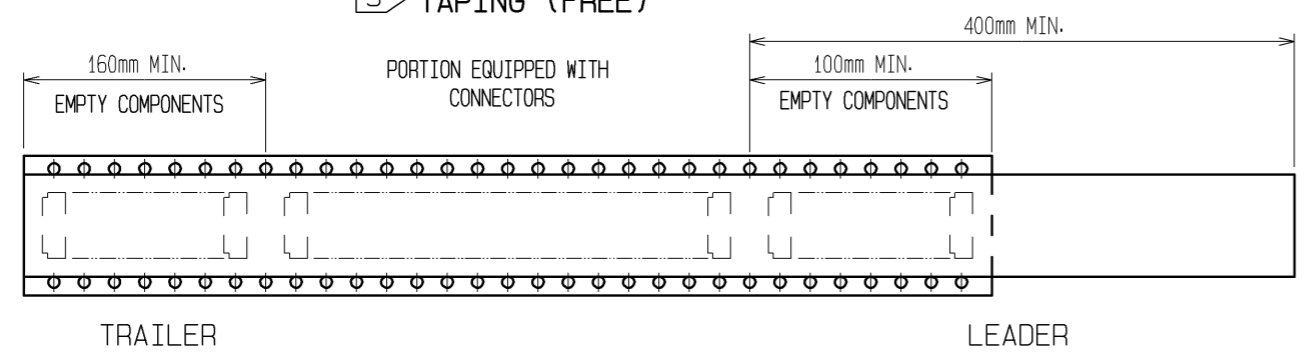
DETAIL OF PART No. LABEL

生産月日	年 月 日
製品コード	CL662-4018-3-55
製品名	DF36-30P-0.4SD(55)
納入数量	500pcs
納入者	ヒロセ電機(株)

_____ SUPPLIER
 _____ QUANTITY
 _____ PART No.
 _____ CODE No.
 _____ DATE OF MANUFACTURED



5 TAPING (FREE)



- NOTES 4. PER REEL: 500 COMPONENTS.
 5 REFER TO JIS C 0806. (PACKAGING OF COMPONENTS FOR AUTOMATIC HANDLING)
 6. THE DIMENSIONS IN PARENTHESES ARE FOR REFERENCE.

HRS	DRAWING NO.	EDC3-315347-03
	PART NO.	DF36-30P-0.4SD(55)
	CODE NO.	CL662-4018-3-55
		△ 2/2