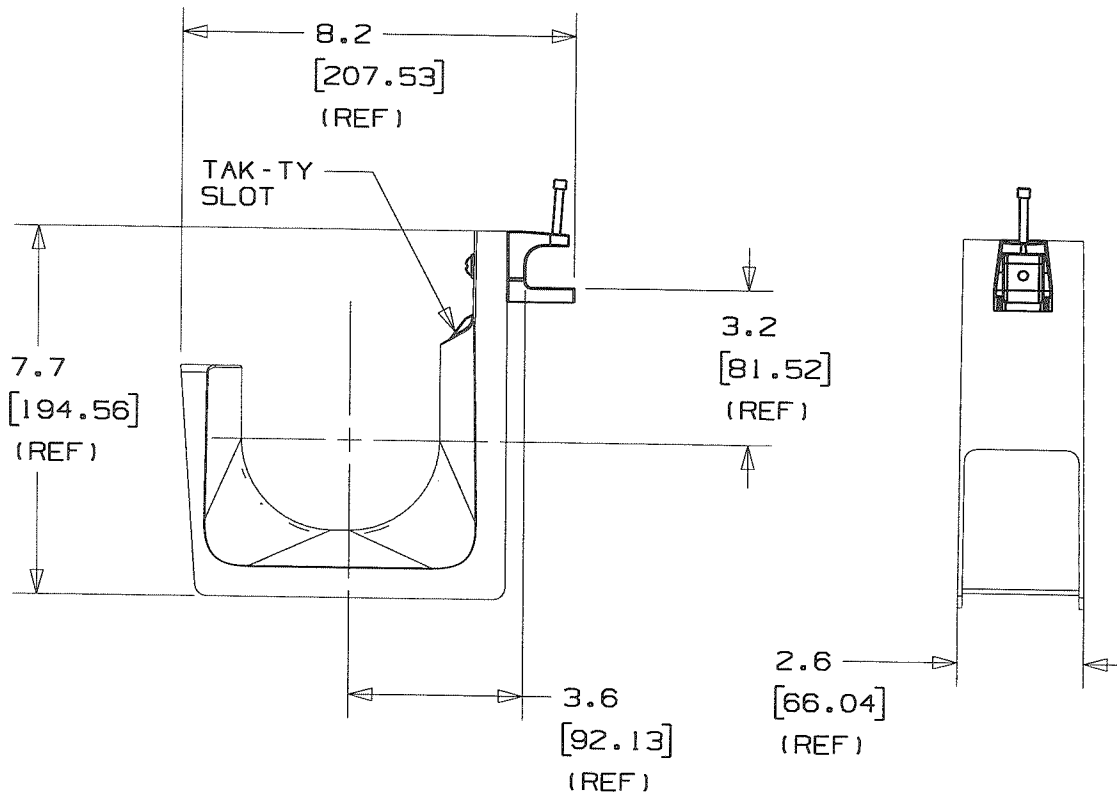
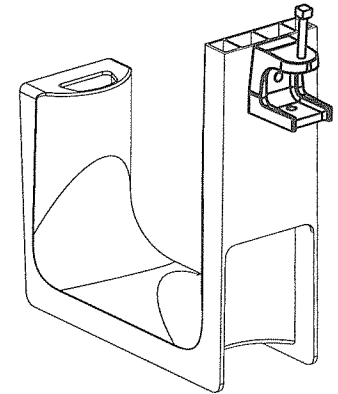


THIS COPY IS PROVIDED ON A RESTRICTED BASIS AND IS NOT TO BE USED IN ANY WAY DETRIMENTAL TO THE INTERESTS OF PANDUIT CORP.



| PANDUIT PART NO. | FLANGE THICKNESS | WEIGHT lbs 10 (g) pcs |
|------------------|-------------------------------|-----------------------------|
| JP4SBC87-___ | UP TO 3/4" (19.05mm) THICK | 2.89 (1310.9) |



NOTES:

- SEE CURRENT PRICE SHEET FOR PART NUMBER SUFFIX DESIGNATION FOR PACKAGE SIZE AND PRODUCT COLOR.
- HOOK MATERIAL: 33% GLASS FILLED NYLON 6/6
CLAMP MATERIAL: MALLEABLE IRON
LOCK WASHER: ZINC PLATED STEEL
BOLT: ZINC PLATED STEEL
- PRODUCT IS DESIGNED TO SUPPORT A MAXIMUM OF 4.0" (101.6) DIAMETER BUNDLE. MAXIMUM RECOMMENDED STATIC LOAD: 100 lbs.
- PRODUCT INCORPORATES FEATURES ALLOWING USER TO RETAIN CABLE BUNDLES IN J-PRO J-HOOK WITH TAK-TY CABLE TIES UP TO 3/4" WIDE.
- PRODUCT MARKINGS:
cULus logo and statement:
"SUITABLE FOR USE IN AIR HANDLING SPACES IN ACCORDANCE WITH SECTION 300-22 (C) & (D) OF THE NATIONAL ELECTRIC CODE."
ULC logo and statement:
"IN ACCORDANCE WITH CAN/ULC S-102.2 IN SINGLE UNITS OR PAIRS, 4 ft (1220mm) MIN. SPACING, FSR=0, SDC=20."

| | |
|--|---|
| DIMENSIONS IN BRACKETS ARE METRIC [mm] | |
| CAD FILENAME/LAYERS: G03043DN_PB_JP4SBC87_01 | |
| PANDUIT CORP. TINLEY PARK, ILLINOIS | |
| J-PRO J-HOOK SCREW ON BEAM CLAMP (JP4SBC87-___) | |
| UNLESS OTHERWISE SPECIFIED, DIMENSIONAL TOLERANCES ARE: (.X) ±0.05 (1.3) (.XXX) ±0.010 (0.25) (.XX) ±0.02 (0.5) ANGLES ± 5° | UNLESS OTHERWISE SPECIFIED, ALL DIMENSIONS ARE GIVEN IN INCHES, THIRD ANGLE PROJECTION. |
| DRAWN BY: JAD | MAT'L: NONE |
| DATE: 2/10/06 | SEE NOTE 2 |
| DRAWING NO.: GB3043DN | DRG SIZE: A |

| REV | DATE | BY | CHK | DESCRIPTION | ECN | R | CUST | SUP |
|-----|---------|-----|-----|---------------------------|----------|---|------|-----|
| 1 | 2/20/06 | JAD | PN | FLANGE THICKNESS WAS 7/8" | GB3043DN | 1 | | |