

Low Voltage Solder or Quick Connect Terminals 186-

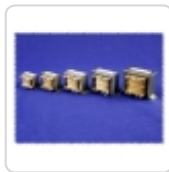
187 Series

Chassis Mount - 115 & 115/230 V Primary

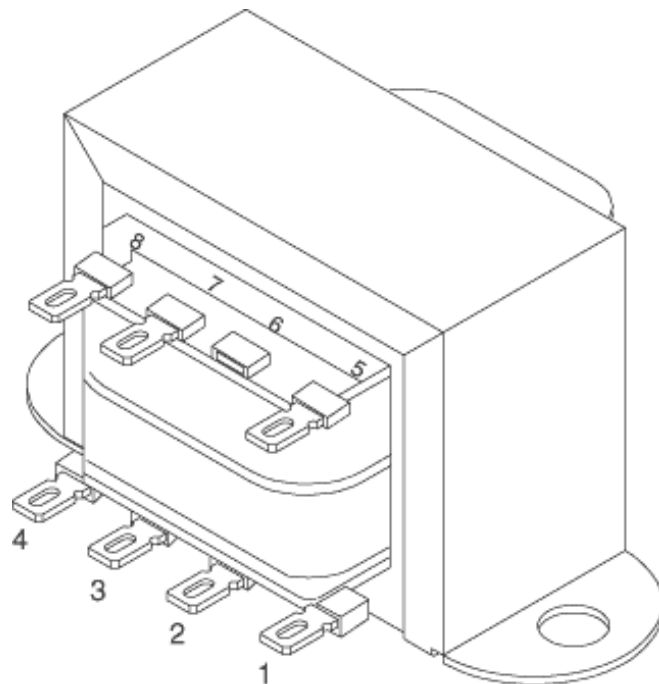
Features



- Choice of two primaries: Single Primary 115VAC (187 series) or Dual Primary 115/230VAC (186 series).
- Either series operates on 50/60 Hz.
- Combination solder or quick connect terminals.
- Split bobbin construction eliminates the need for an electrostatic shield.
- Hi-pot tested to 2 KV RMS.
- Economical open style, channel frame - chassis mount design
- Insulation material - minimum of Class B or 130 degrees C
- Designed to Class A temperature rise
- UL recognized & CSA certified.



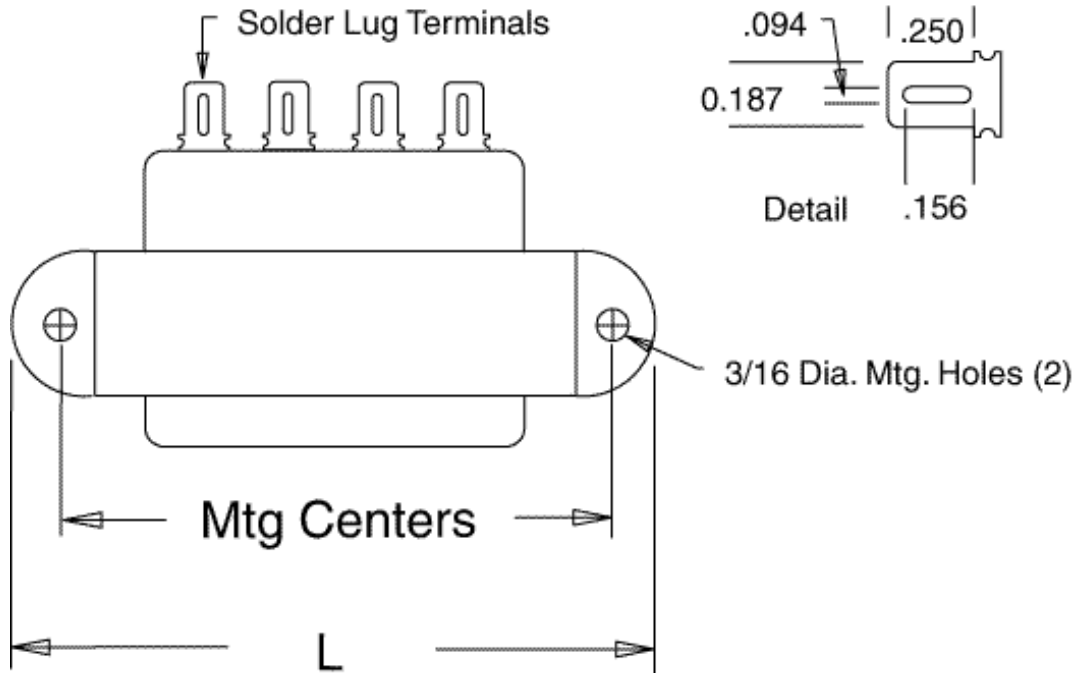
A wiring diagram for this series can be downloaded [here](#).



3/16 (.187) Quick Connect

or

Solder Lug Terminals



Part No. Single Primary 115 VAC	Part No. Dual Primary 115/230 VAC	Secondary (R.M.S.) VAC	Current (Amps)	VA Rating	Length L	Dimensions			
						Depth B (Not Including Terminals)	Mounting Centers D	Depth To Terminal E	
187A10	-	10V C.T.	0.25	2.5	2.06	1.06	1.18	1.75	1.44
187B10	186B10	10V C.T.	0.6	6	2.37	1.25	1.37	2.00	1.62
187C10	186C10	10V C.T.	1.2	12	2.81	1.37	1.62	2.37	1.73
187D10	186D10	10V C.T.	3	30	3.25	1.68	1.93	2.81	2.06
187E10	186E10	10V C.T.	5	50	3.68	1.81	2.25	3.12	2.19
187F10	186F10	10V C.T.	10	100	4.03	2.25	2.56	3.50	2.62
187A12	-	12.6V C.T.	0.19	2.5	2.06	1.06	1.18	1.75	1.44
187B12	186B12	12.6V C.T.	0.5	6.3	2.37	1.25	1.37	2.00	1.62
187C12	186C12	12.6V C.T.	1	12.6	2.81	1.37	1.62	2.37	1.73
187D12	186D12	12.6V C.T.	2.5	31.5	3.25	1.68	1.93	2.81	2.06
187E12	186E12	12.6V C.T.	4	50.4	3.68	1.81	2.25	3.12	2.19
187F12	186F12	12.6V C.T.	8	100.8	4.03	2.25	2.56	3.50	2.62
187A16	-	16V C.T.	0.15	2.4	2.06	1.06	1.18	1.75	1.44
187B16	186B16	16V C.T.	0.4	6.4	2.37	1.25	1.37	2.00	1.62
187C16	186C16	16V C.T.	0.8	12.8	2.81	1.37	1.62	2.37	1.73
187D16	186D16	16V C.T.	2	32	3.25	1.68	1.93	2.81	2.06
187E16	186E16	16V C.T.	3.5	56	3.68	1.81	2.25	3.12	2.19
187F16	186F16	16V C.T.	6.25	100	4.03	2.25	2.56	3.50	2.62
187A20	-	20V C.T.	0.12	2.4	2.06	1.06	1.18	1.75	1.44
187B20	186B20	20V C.T.	0.3	6	2.37	1.25	1.37	2.00	1.62
187C20	186C20	20V C.T.	0.6	12	2.81	1.37	1.62	2.37	1.73
187D20	186D20	20V C.T.	1.5	30	3.25	1.68	1.93	2.81	2.06
187E20	186E20	20V C.T.	2.8	56	3.68	1.81	2.25	3.12	2.19
187F20	186F20	20V C.T.	5	100	4.03	2.25	2.56	3.50	2.62
187A24	-	24V C.T.	0.1	2.4	2.06	1.06	1.18	1.75	1.44
187B24	186B24	24V C.T.	0.25	6	2.37	1.25	1.37	2.00	1.62
187C24	186C24	24V C.T.	0.5	12	2.81	1.37	1.62	2.37	1.73
187D24	186D24	24V C.T.	1.25	30	3.25	1.68	1.93	2.81	2.06
187E24	186E24	24V C.T.	2.4	57.6	3.68	1.81	2.25	3.12	2.19

Part No. Single Primary	Part No. Dual Primary	Secondary (R.M.S.) VAC	Current (Amps)	VA Rating	Length L	Dimensions			Depth To Terminal E
						Depth (Not Including Terminals) B	Height C	Mounting Centers D	
187F24	186F24	24V C.T.	4	96	4.03	2.25	2.56	3.50	2.62
187A28	-	28V C.T.	0.08	2.4	2.06	1.06	1.18	1.75	1.44
187B28	186B28	28V C.T.	0.2	5.6	2.37	1.25	1.37	2.00	1.62
187C28	186C28	28V C.T.	0.42	12	2.81	1.37	1.62	2.37	1.73
187D28	186D28	28V C.T.	1.07	30	3.25	1.68	1.93	2.81	2.06
187E28	186E28	28V C.T.	2	56	3.68	1.81	2.25	3.12	2.19
187F28	186F28	28V C.T.	3.57	100	4.03	2.25	2.56	3.50	2.62
187A36	-	36V C.T.	0.06	2.34	2.06	1.06	1.18	1.75	1.44
187B36	186B36	36V C.T.	0.17	6.12	2.37	1.25	1.37	2.00	1.62
187C36	186C36	36V C.T.	0.35	12.6	2.81	1.37	1.62	2.37	1.73
187D36	186D36	36V C.T.	0.85	30.6	3.25	1.68	1.93	2.81	2.06
187E36	186E36	36V C.T.	1.5	54	3.68	1.81	2.25	3.12	2.19
187F36	186F36	36V C.T.	2.8	100.8	4.03	2.25	2.56	3.50	2.62
187A48	-	48V C.T.	0.05	2.4	2.06	1.06	1.18	1.75	1.44
187B48	186B48	48V C.T.	0.12	6	2.37	1.25	1.37	2.00	1.62
187C48	186C48	48V C.T.	0.25	12	2.81	1.37	1.62	2.37	1.73
187D48	186D48	48V C.T.	0.62	30	3.25	1.68	1.93	2.81	2.06
187E48	186E48	48V C.T.	1.2	57.6	3.68	1.81	2.25	3.12	2.19
187F48	186F48	48V C.T.	2	96	4.03	2.25	2.56	3.50	2.62
187A56	-	56V C.T.	0.04	2.5	2.06	1.06	1.18	1.75	1.44
187B56	186B56	56V C.T.	0.11	6.16	2.37	1.25	1.37	2.00	1.62
187C56	186C56	56V C.T.	0.21	12.3	2.81	1.37	1.62	2.37	1.73
187D56	186D56	56V C.T.	0.53	30	3.25	1.68	1.93	2.81	2.06
187E56	186E56	56V C.T.	1	56	3.68	1.81	2.25	3.12	2.19
187F56	186F56	56V C.T.	1.8	100.8	4.03	2.25	2.56	3.50	2.62
187A120	-	120V C.T.	0.02	2.4	2.06	1.06	1.18	1.75	1.44
187B120	186B120	120V C.T.	0.05	6	2.37	1.25	1.37	2.00	1.62
187C120	186C120	120V C.T.	0.1	12	2.81	1.37	1.62	2.37	1.73
187D120	186D120	120V C.T.	0.25	30	3.25	1.68	1.93	2.81	2.06
187E120	186E120	120V C.T.	0.5	60	3.68	1.81	2.25	3.12	2.19
187F120	186F120	120V C.T.	0.85	102	4.03	2.25	2.56	3.50	2.62

Data subject to change without notice