

80 mm sq.

San Ace 80



General Specifications

- Material Frame: Plastics (Flammability: UL94V-0),
Impeller: Plastics (Flammability: UL94V-1)
- Expected Life Refer to specifications (L10:Survival rate:90% at 60°C ,
rated voltage, and continuously run in a free air state)
- Lead Wire ⊕red ⊖black or blue (Sensor) yellow
- Storage Temperature -30°C to +70°C (Non-condensing)

80×80×15 mm (Mass : 68g) **9P** type

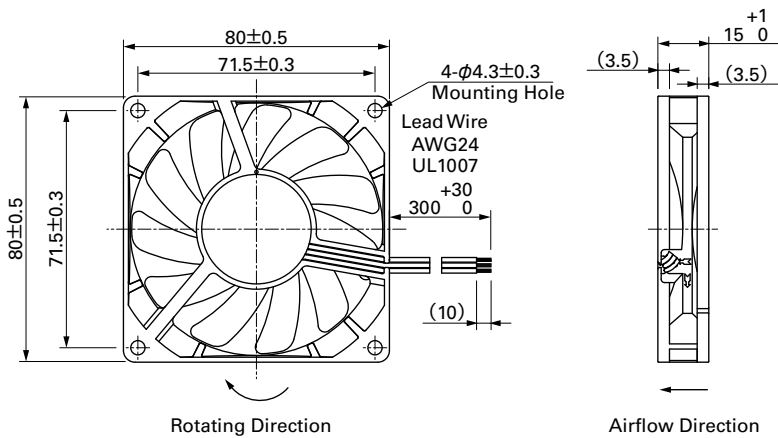
Specifications

The following nos. **have pulse sensors and ribs.**

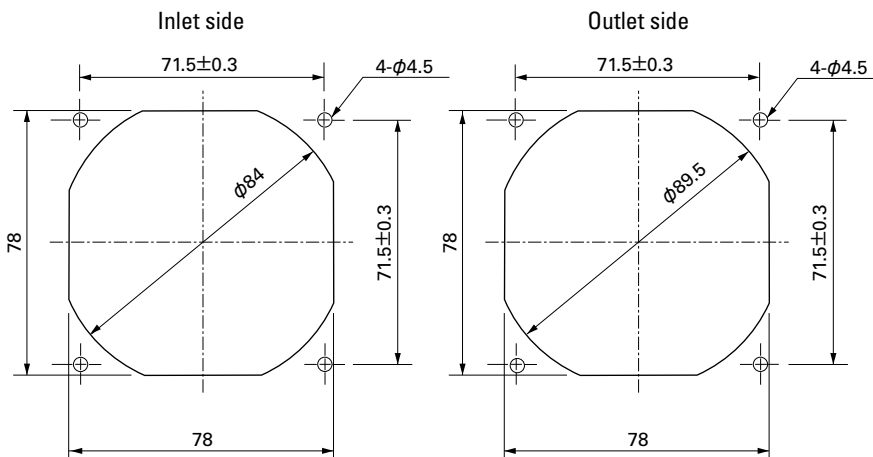
Model No.	Rated Voltage [V]	Operating Voltage Range [V]	Rated Current [A]	Rated Input [W]	Rated Speed [min ⁻¹]	Max. Airflow [m ³ /min] [CFM]	Max. Static Pressure [Pa] [inchH ₂ O]	SPL [dB(A)]	Operating Temperature [°C]	Expected Life [h]		
109P0812H701	12	7 to 13.8	0.2	2.4	3,100	0.91	32.1	29.4	0.118	31	-20 to +70	40,000/60°C
109P0812M701			0.09	1.08	2,000	0.57	20.1	12.6	0.051	21		60,000/60°C
109P0824H701	24	14 to 27.6	0.1	2.4	3,100	0.91	32.1	29.4	0.118	31	-20 to +70	40,000/60°C
109P0824M701			0.05	1.2	2,000	0.57	20.1	12.6	0.051	21		60,000/60°C

Other sensor specifications are available as options. Please refer to the index (pp. 497 to 498).

Dimensions (unit: mm)



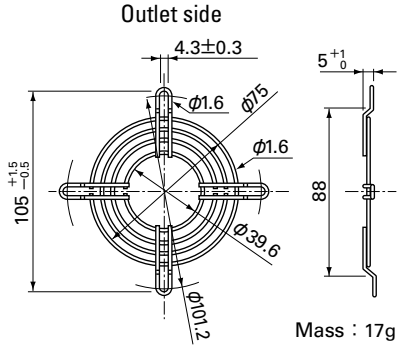
Reference Dimensions of Mounting Holes and Vent Opening (unit: mm)



Options (unit: mm)

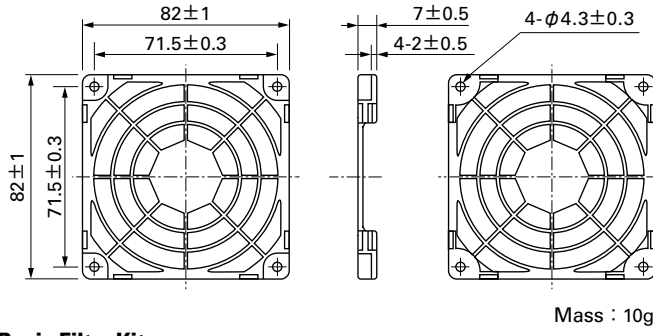
Finger Guards

Model : 109-049C Color : Nickel-chrome plating (silver)
 Surface treatment : Nickel-chrome plating (silver)



Resin Finger Guards

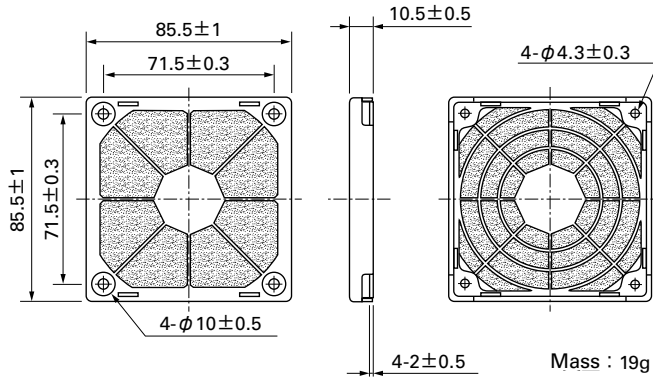
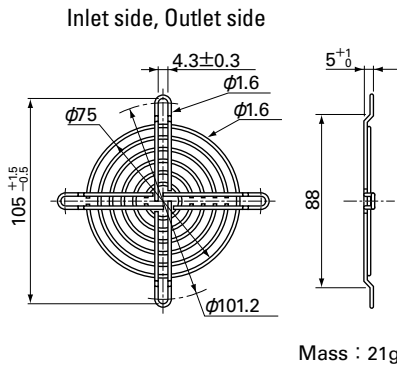
Model : 109-1002G



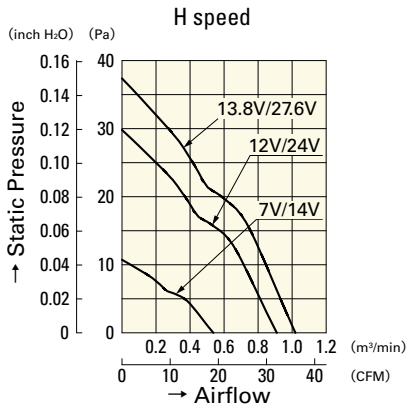
Model : 109-049E Color : Nickel-chrome plating (silver)
 Surface treatment : Nickel-chrome plating (silver)
 : 109-049H : Cation electropainting (black)

Resin Filter Kits

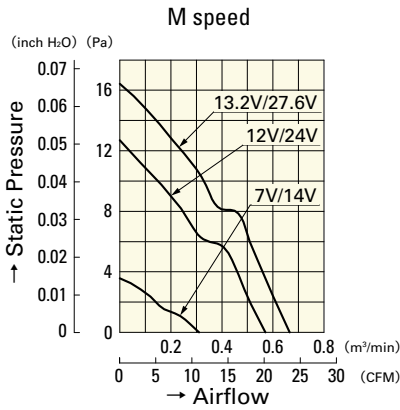
Model : 109-1002F13 (13PPI), 109-1002F20 (20PPI)
 : 109-1002F30 (30PPI), 109-1002F40 (40PPI)



Airflow - Static Pressure Characteristics



109P0812H701
 109P0824H701



109P0812M701
 109P0824M701