

THIS DRAWING IS UNPUBLISHED. RELEASED FOR PUBLICATION 20
 © COPYRIGHT 20 BY TYCO ELECTRONICS CORPORATION. ALL RIGHTS RESERVED.

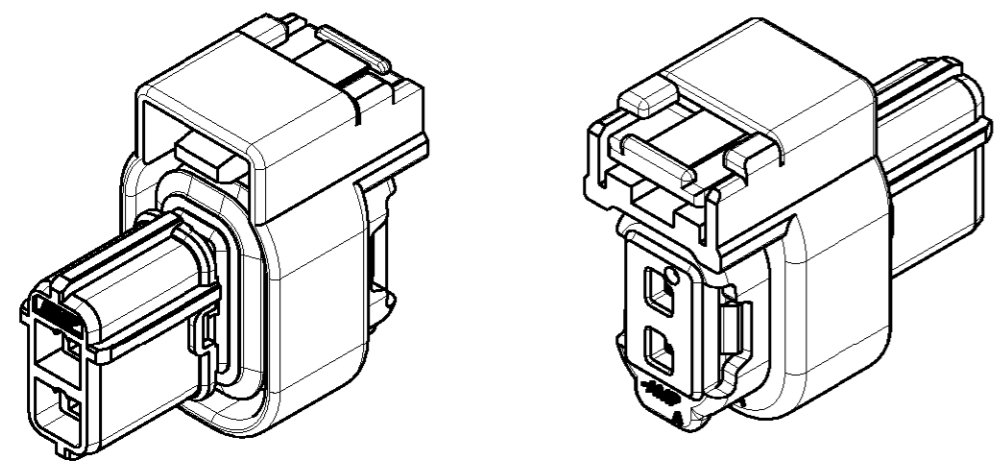
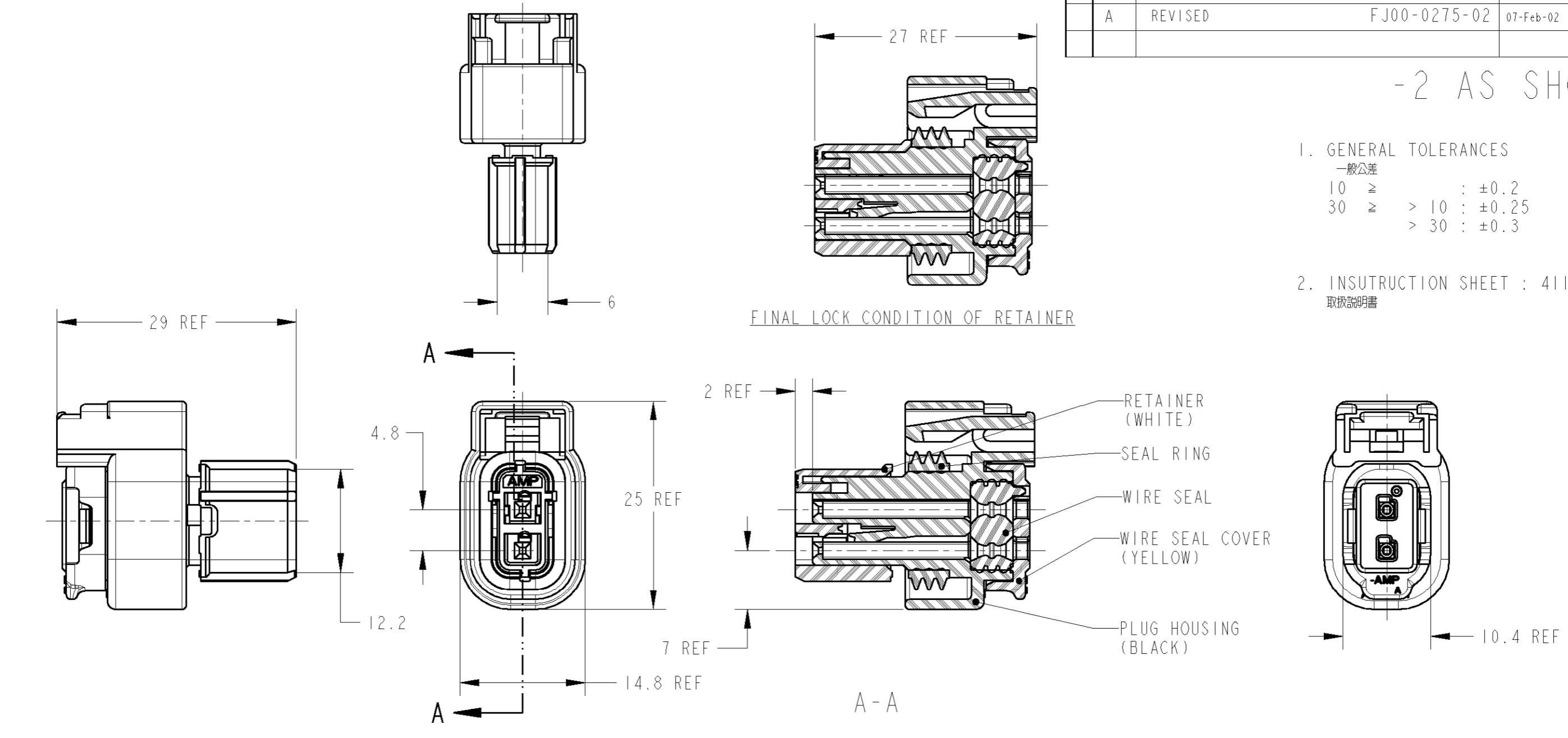
| LOC | DIST | REVISIONS | | | | | | |
|-----|------|-----------|-----|-------------|--------------|-----------|-----|------|
| | | P | LTR | DESCRIPTION | ECN | DATE | DWN | APVD |
| J | - | 0 | | RELEASED | FJ00-2574-01 | 01-Nov-01 | Y.F | K.A |
| | | 01 | | REVISED | FJ00-0174-02 | 29-Jan-02 | Y.N | K.A |
| | | A | | REVISED | FJ00-0275-02 | 07-Feb-02 | Y.F | K.A |

- 2 AS SHOWN

1. GENERAL TOLERANCES
 一般公差
 10 ≥ : ±0.2
 30 ≥ > 10 : ±0.25
 > 30 : ±0.3

2. INSUTRUCION SHEET : 411-78021
 取扱説明書

FINAL LOCK CONDITION OF RETAINER



THIS DRAWING IS A CONTROLLED DOCUMENT FOR TYCO ELECTRONICS CORPORATION
 IT IS SUBJECT TO CHANGE AND THE CONTROLLING ENGINEERING ORGANIZATION
 SHOULD BE CONTACTED FOR THE LATEST REVISION.

| DIMENSIONS: | TOLERANCES UNLESS OTHERWISE SPECIFIED: |
|--------------|----------------------------------------|
| 単位: 毫米 mm | 一般公差 |
| | 0-PLC ± |
| | 1-PLC ±0.5 |
| | 2-PLC ±0.13 |
| | 3-PLC ±0.013 |
| | 4-PLC ±0.0001 |
| | ANGLES ±3°00' |

MATERIAL PBT FINISH BLACK

DWN Y. FUJIWARA 01NOV01
 CHK Y. NOGUCHI 01NOV01
 APVD K. ASAI 01NOV01
 PRODUCT SPEC 108-5763
 APPLICATION SPEC 114-5278
 WEIGHT 4.5g

| | | | |
|-----------------------------------------------------------------------|------------|----------------------------------------------|--------------------|
| WIRE RANGE 抱合電線断面積 | 0.3~0.5 SQ | INSULATION DIA 被覆外径 | 1.4~1.7 DIA |
| tyco Electronics | | Tyco Electronics AMP K.K. Kawasaki, Japan | |
| NAME 名称 PLUG HOUSING ASSY 2 POS (A) CLEAN BODY 025 CONNECTOR | | | |
| SIZE | CAGE CODE | DRAWING NO | RESTRICTED TO |
| A3 | 00779 | 1473845 | |
| CUSTOMER DRAWING | | SCALE 尺度 | SHEET 1 OF 1 REV A |