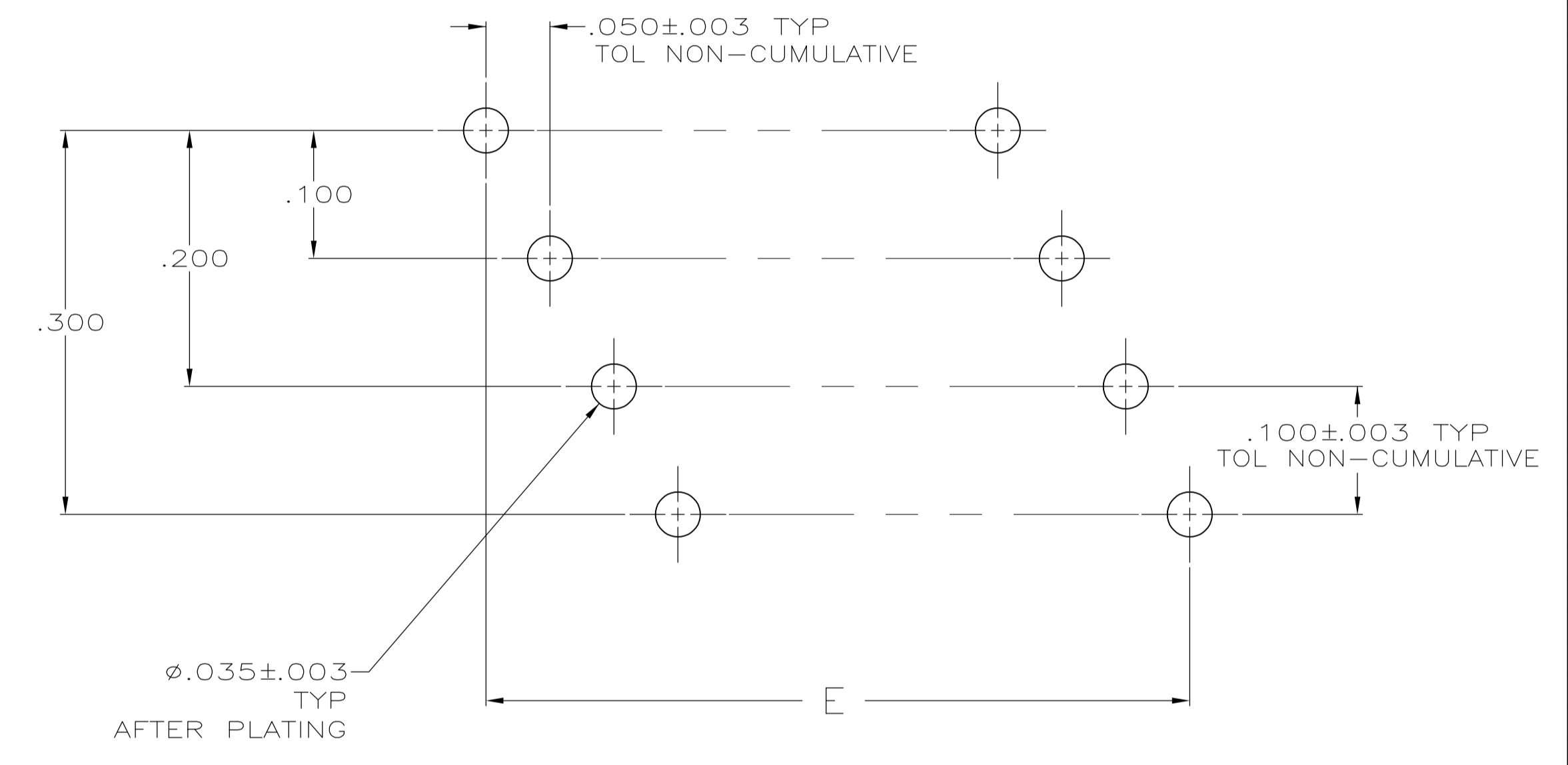
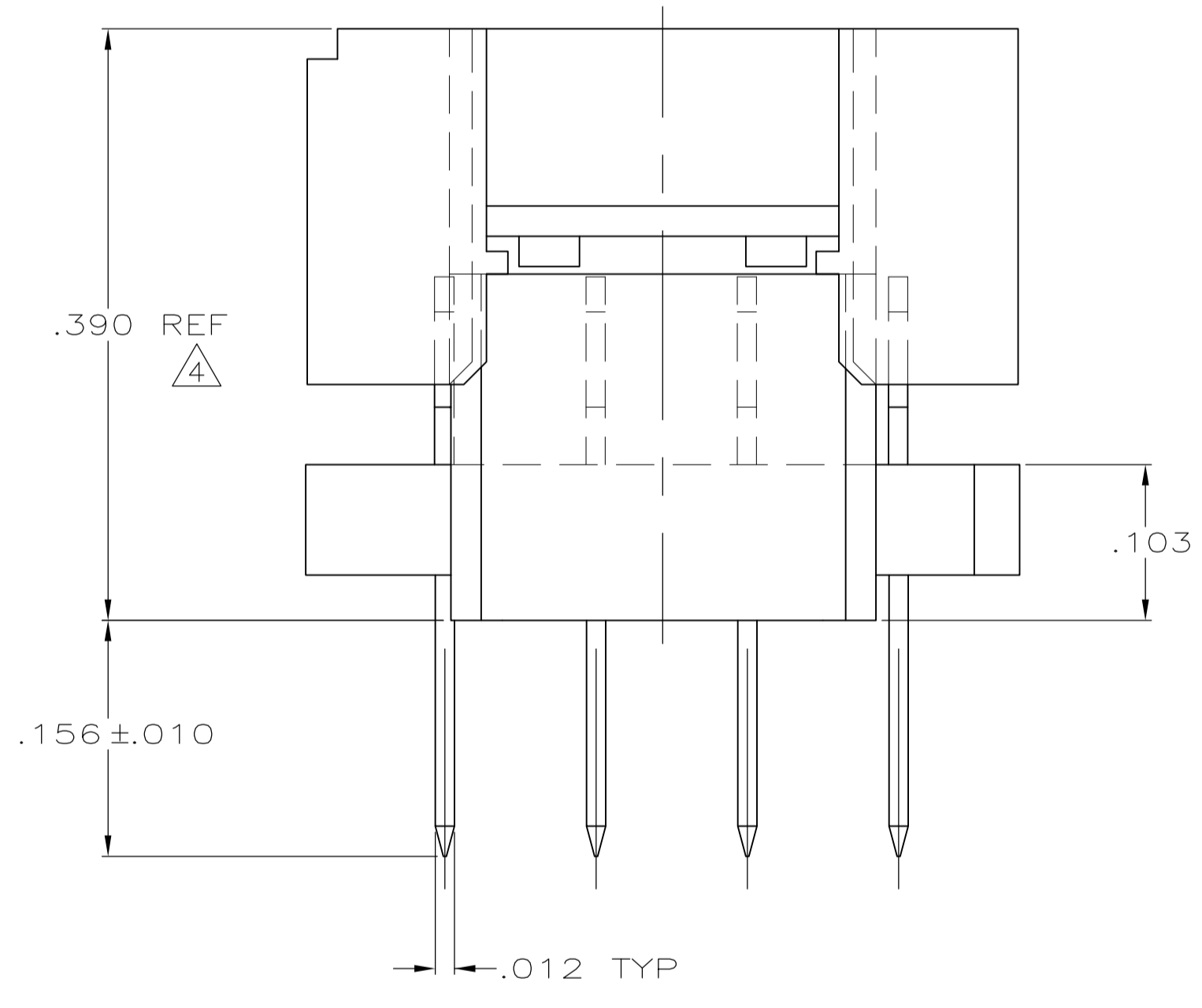
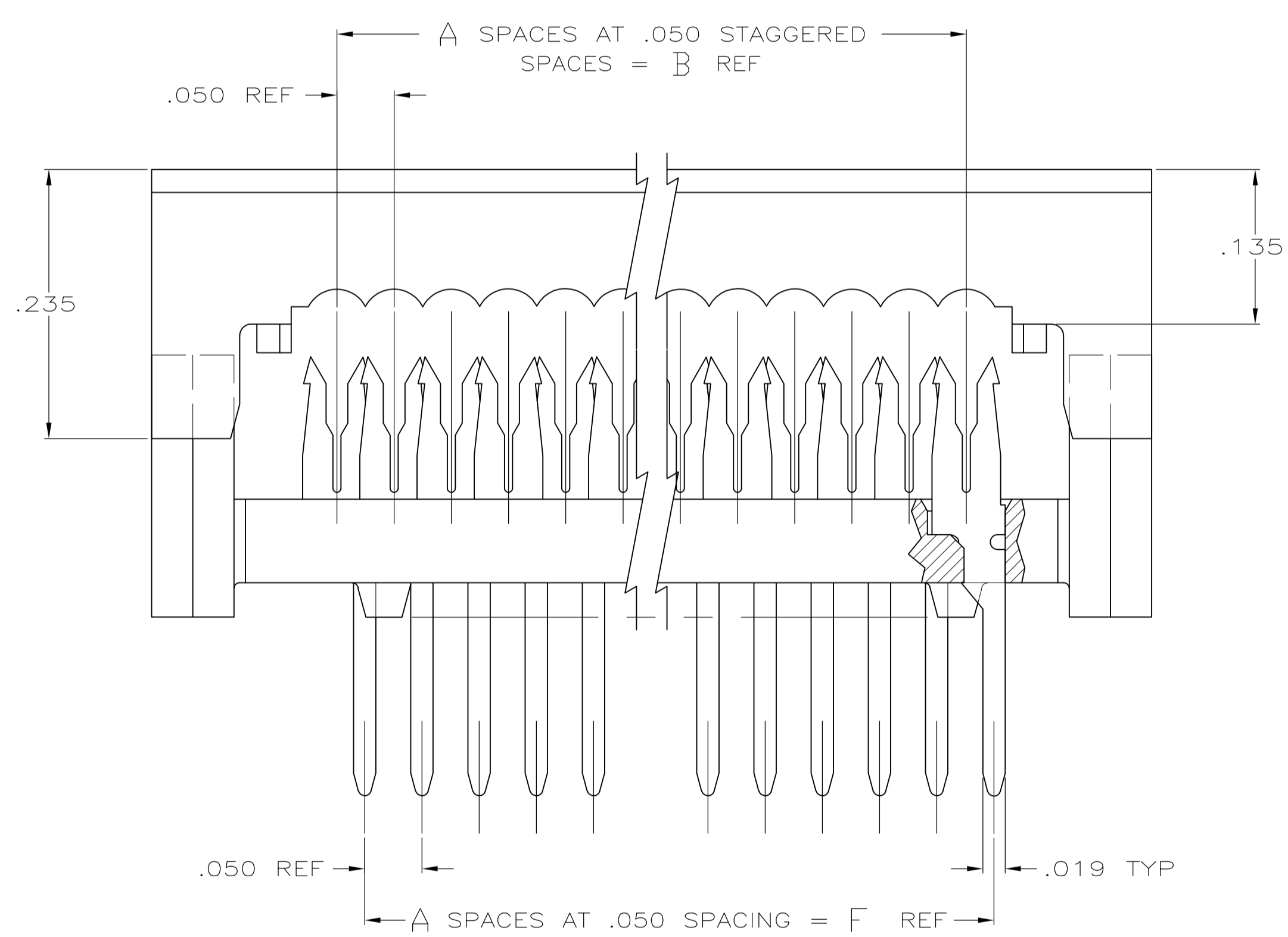
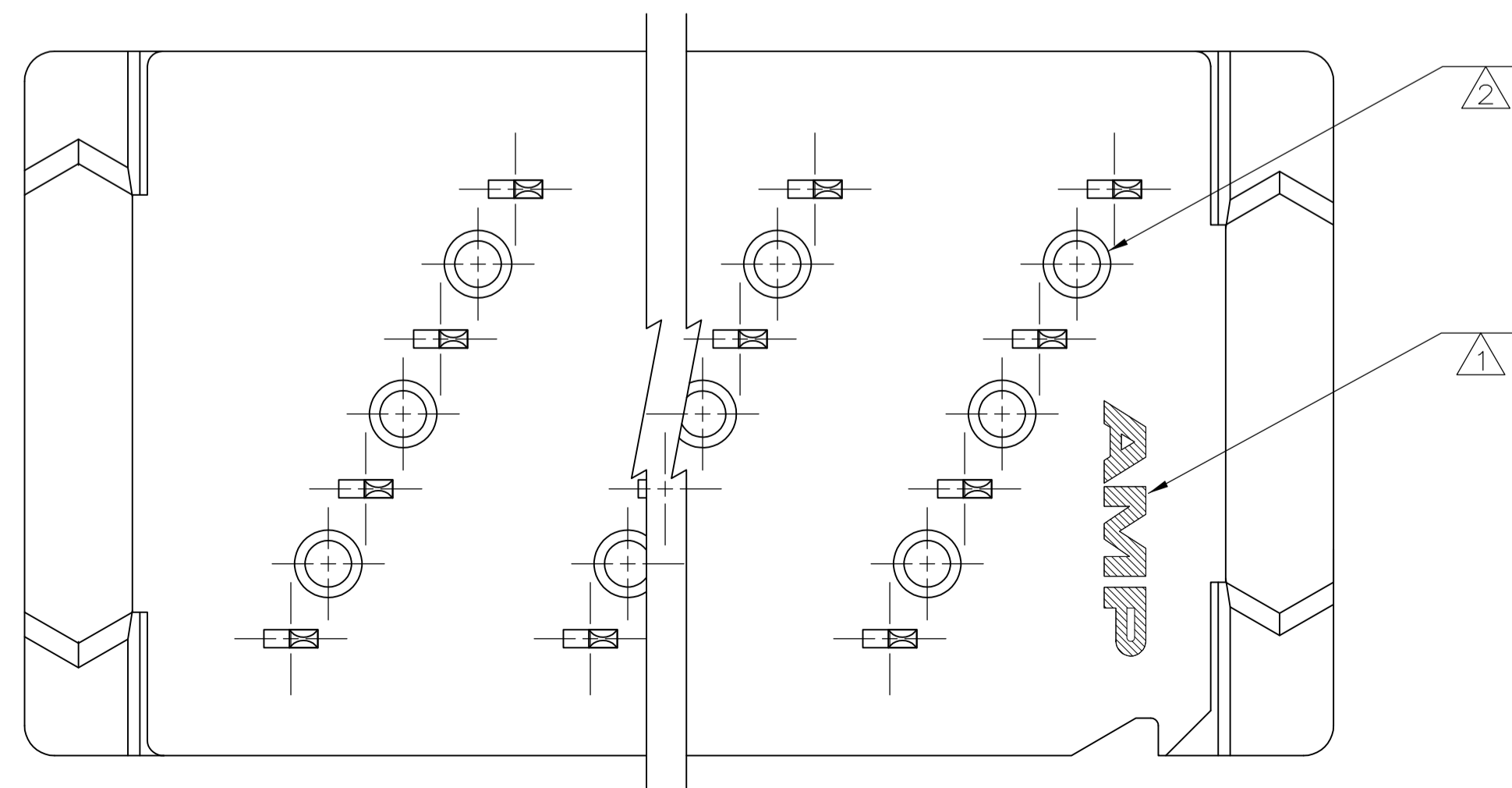


- 1 AMP TRADEMARK LOCATED IN APPROX AREA SHOWN.
- 2 STANDOFFS: POSN 12 (9) STANDOFFS AS SHOWN.
 POSN 16 (12) STANDOFFS, 3 PER DIAGONAL ROW.
 POSN 20 (15) STANDOFFS, 3 PER DIAGONAL ROW.
 POSN 24 (18) STANDOFFS, 3 PER DIAGONAL ROW.
 POSN 28 (21) STANDOFFS, 3 PER DIAGONAL ROW.
 POSN 32 (24) STANDOFFS, 3 PER DIAGONAL ROW.
 POSN 36 (27) STANDOFFS, 3 PER DIAGONAL ROW.
 POSN 40 (30) STANDOFFS, 3 PER DIAGONAL ROW.
 POSN 44 (33) STANDOFFS, 3 PER DIAGONAL ROW.
 POSN 48 (36) STANDOFFS, 3 PER DIAGONAL ROW.
 POSN 52 (39) STANDOFFS, 3 PER DIAGONAL ROW.
 POSN 56 (42) STANDOFFS, 3 PER DIAGONAL ROW.
 POSN 60 (45) STANDOFFS, 3 PER DIAGONAL ROW.
- 3 FINISH: BRIGHT TIN-LEAD .000100-.000200 THK OVER NICKEL .000050 MIN THK.
- 4 HEIGHT AFTER TERMINATION IS .238 REF.
- 5 FINISH: BRIGHT TIN .000100-.000200 THK OVER NICKEL .000050 MIN THK.



RECOMMENDED HOLE LAYOUT

	5	1.950	1.950	2.274	1.950	1.950	39	40	5-111036-8
	5	.750	.750	1.074	.750	.750	15	16	5-111036-2
OBSOLETE	3	2.950	2.950	3.274	2.950	2.950	59	60	1-111036-3
OBSOLETE	3	2.750	2.750	3.074	2.750	2.750	55	56	1-111036-2
OBSOLETE	3	2.550	2.550	2.874	2.550	2.550	51	52	1-111036-1
OBSOLETE	3	2.350	2.350	2.674	2.350	2.350	47	48	1-111036-0
OBSOLETE	3	2.150	2.150	2.474	2.150	2.150	43	44	111036-9
	3	1.950	1.950	2.274	1.950	1.950	39	40	111036-8
OBSOLETE	3	1.750	1.750	2.074	1.750	1.750	35	36	111036-7
OBSOLETE	3	1.550	1.550	1.874	1.550	1.550	31	32	111036-6
OBSOLETE	3	1.350	1.350	1.674	1.350	1.350	27	28	111036-5
OBSOLETE	3	1.150	1.150	1.474	1.150	1.150	23	24	111036-4
OBSOLETE	3	.950	.950	1.274	.950	.950	19	20	111036-3
	3	.750	.750	1.074	.750	.750	15	16	111036-2
OBSOLETE	3	.550	.550	.874	.550	.550	11	12	111036-1
	FINISH	F	E	D	C	B	A	NO OF POSN	PART NUMBER



THIS DRAWING IS A CONTROLLED DOCUMENT. **STE** TE Connectivity

DIMENSIONS: INCHES
 0 PLC ± -
 1 PLC ± -
 2 PLC ± -
 3 PLC ± .005
 4 PLC ± -
 ANGLES ± -

TOLERANCES UNLESS OTHERWISE SPECIFIED:
 0 PLC ± -
 1 PLC ± -
 2 PLC ± -
 3 PLC ± .005
 4 PLC ± -
 ANGLES ± -

MATERIAL: MOLDED PARTS: 94V-0 RATED THERMOPLASTIC, COLOR BLACK CONTACTS: PH BRZ PER QQ-B-750
 FINISH: CONTACTS

THIS DRAWING IS A CONTROLLED DOCUMENT. **STE** TE Connectivity
 DWG: J. PEACHEY 05-MAR-86
 CHK: M. SCULLY 23-MAY-86
 APP'D: D. HOFFMAN 23-MAY-86
 NAME: KIT, AMP-LATCH PADDLEBOARD PREASSEMBLED, .156 LONG POSTS FULL ROW, FULL TIN PLATED CONTACTS
 APPLICATION SPEC: 114-40005
 SIZE: A1
 CAGE CODE: 00779
 DRAWING NO: 111036
 WEIGHT: -
 RESTRICTED TO: -
 CUSTOMER DRAWING
 SCALE: 10:1
 SHEET: 1 of 1
 REV: J