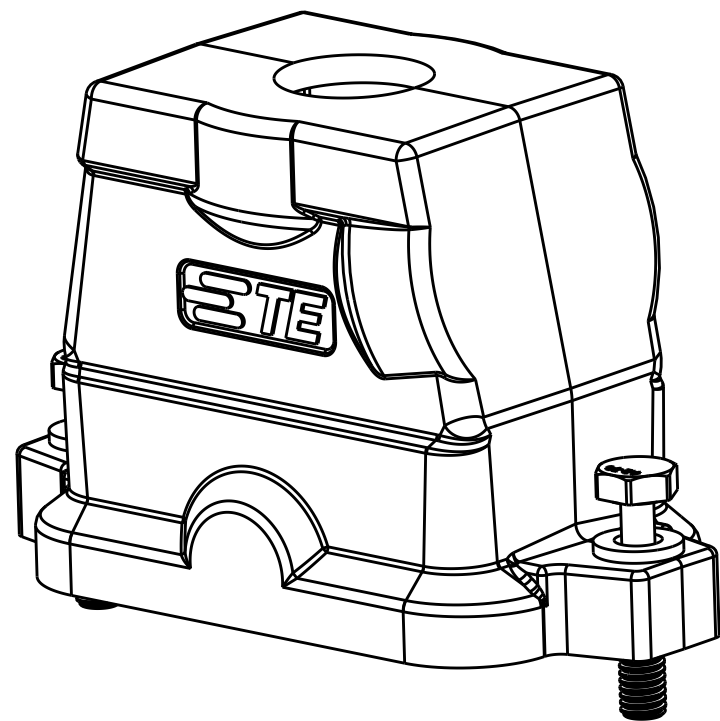
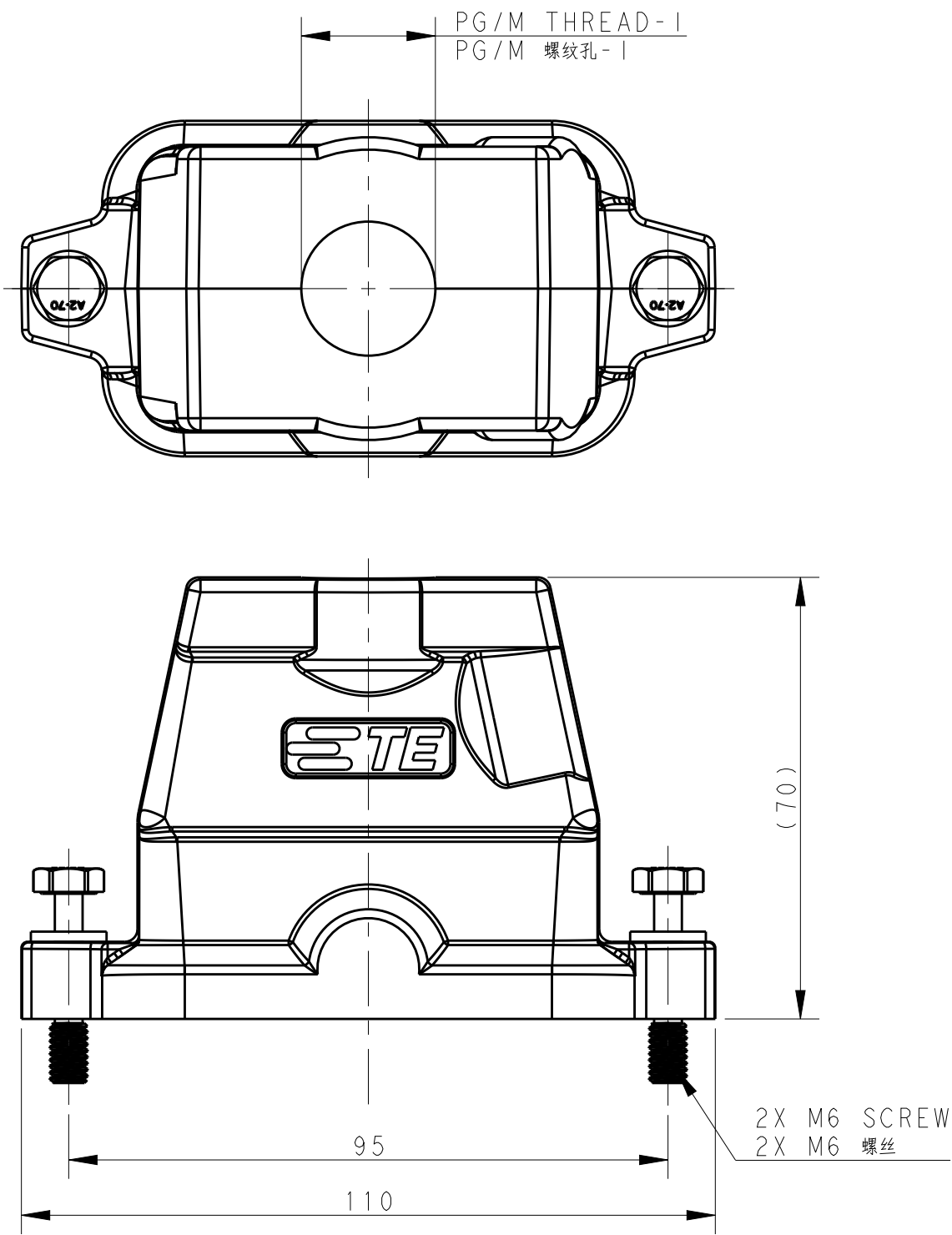


TYPE 1

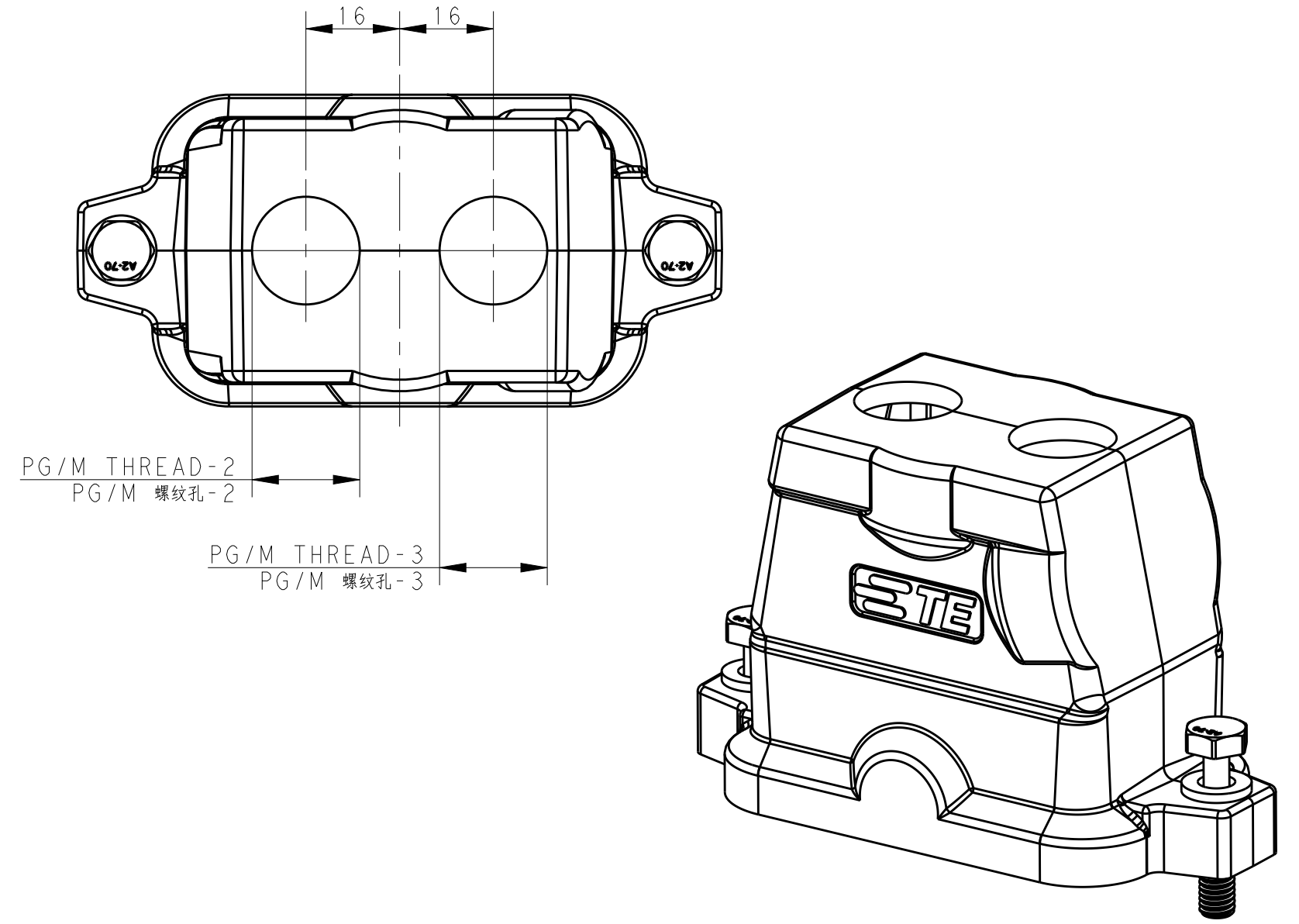
Single PG/M thread



| REVISIONS | | | | |
|-----------|-----|-----------------|-----------|-------|
| P | LTR | DESCRIPTION | DATE | APVD |
| A | | INITIAL RELEASE | 14OCT2016 | DW CW |
| | | | | |
| | | | | |

TYPE 2

Two PG/M threads



All dimension is same as TYPE 1, except those defined in this TYPE

NOTES:
 1. TECHNICAL CHARACTERISTICS:
 HOOD MATERIAL: DIE CAST ALUMINIUM ALLOY
 SURFACE: SEE TABLE
 DEGREE OF PROTECTION: IP68 (MATED)

注释
 1. 技术参数:
 壳体材料: 铝合金
 表面处理: 见表格
 防护等级: IP68 (配合)

| | | | | |
|-----------------------------------------------------------------------------------------------------------------------|--|---------------------------------------------------------------------------------|-----------------------------|--------------------|
| THIS DRAWING IS A CONTROLLED DOCUMENT. | | DWN DAVID WANG 14OCT2016 CHK CHRIS WANG 14OCT2016 APVD XIANG XU 14OCT2016 | STE TE Connectivity | |
| DIMENSIONS: mm | | PRODUCT SPEC 108-137191 APPLICATION SPEC 114-137191 | NAME H10BPR-TGHC-PG/M-EMC-C | |
| TOLERANCES UNLESS OTHERWISE SPECIFIED: 0 PLC ± 1 PLC ± 2 PLC ± 3 PLC ± 4 PLC ± ANGLES ± FINISH - | | WEIGHT - | SIZE A2 | RESTRICTED TO - |
| MATERIAL - | | CUSTOMER DRAWING | SCALE 1:1 | SHEET 1 OF 2 REV A |

THIS DRAWING IS UNPUBLISHED. RELEASED FOR PUBLICATION 20
 © COPYRIGHT 20 BY - ALL RIGHTS RESERVED.

| REVISIONS | | | | |
|-----------|-----|-------------|------|------|
| P | LTR | DESCRIPTION | DATE | APVD |
| - | | SEE SHEET 1 | - | - |
| | | | | |
| | | | | |

NOTES:
SEE SHEET 1

| PART NUMBER 料号 | DESCRIPTION 描述 | PG/M THREAD-3 PG/M 螺纹-3 | PG/M THREAD-2 PG/M 螺纹-2 | PG/M THREAD-1 PG/M 螺纹-1 | TYPE 类型 |
|-------------------|-----------------------------------------------------------------------------------------------------------------------------|----------------------------|----------------------------|----------------------------|---------------|
| T1922100220-009 | H10BPR-TGHC-2M20-EMC-C H10BPR HOOD,CENTER LOCKING, TOP ENTRY 2M20, POWDER COATED, BLACK H10BPR中部锁定顶出上壳M20 黑色 | M20 | M20 | - | TYPE 2 类型2 |
| T1922102132-009 | H10BPR-TGHC-M32-EMC-C H10BPR HOOD,CENTER LOCKING, TOP ENTRY M32, POWDER COATED, GREY H10BPR中部锁定顶出上壳M32 灰色 | - | - | M32 | TYPE 1 类型1 |
| T1922102129-009 | H10BPR-TGHC-PG29-EMC-C H10BPR HOOD,CENTER LOCKING, TOP ENTRY PG29, POWDER COATED, GREY H10BPR中部锁定顶出上壳PG29 灰色 | - | - | PG29 | |
| T1922102125-009 | H10BPR-TGHC-M25-EMC-C H10BPR HOOD,CENTER LOCKING, TOP ENTRY M25, POWDER COATED, GREY H10BPR中部锁定顶出上壳M25 灰色 | - | - | M25 | |
| T1922102121-009 | H10BPR-TGHC-PG21-EMC-C H10BPR HOOD,CENTER LOCKING, TOP ENTRY PG21, POWDER COATED, GREY H10BPR中部锁定顶出上壳PG21 灰色 | - | - | PG21 | |
| T1922102120-009 | H10BPR-TGHC-M20-EMC-C H10BPR HOOD,CENTER LOCKING, TOP ENTRY M20, POWDER COATED, GREY H10BPR中部锁定顶出上壳M20 灰色 | - | - | M20 | |
| T1922102116-009 | H10BPR-TGHC-PG16-EMC-C H10BPR HOOD,CENTER LOCKING, TOP ENTRY PG16, POWDER COATED, GREY H10BPR中部锁定顶出上壳PG16 灰色 | - | - | PG16 | |
| T1922101132-009 | H10BPR-TGHC-M32-EMC-C H10BPR HOOD,CENTER LOCKING, TOP ENTRY M32, POWDER COATED, SILVER WHITE H10BPR中部锁定顶出上壳M32 银白色 | - | - | M32 | |
| T1922101129-009 | H10BPR-TGHC-PG29-EMC-C H10BPR HOOD,CENTER LOCKING, TOP ENTRY PG29, POWDER COATED, SILVER WHITE H10BPR中部锁定顶出上壳PG29 银白色 | - | - | PG29 | |
| T1922101125-009 | H10BPR-TGHC-M25-EMC-C H10BPR HOOD,CENTER LOCKING, TOP ENTRY M25, POWDER COATED, SILVER WHITE H10BPR中部锁定顶出上壳M25 银白色 | - | - | M25 | |
| T1922101121-009 | H10BPR-TGHC-PG21-EMC-C H10BPR HOOD,CENTER LOCKING, TOP ENTRY PG21, POWDER COATED, SILVER WHITE H10BPR中部锁定顶出上壳PG21 银白色 | - | - | PG21 | |
| T1922101120-009 | H10BPR-TGHC-M20-EMC-C H10BPR HOOD,CENTER LOCKING, TOP ENTRY M20, POWDER COATED, SILVER WHITE H10BPR中部锁定顶出上壳M20 银白色 | - | - | M20 | |
| T1922101116-009 | H10BPR-TGHC-PG16-EMC-C H10BPR HOOD,CENTER LOCKING, TOP ENTRY PG16, POWDER COATED, SILVER WHITE H10BPR中部锁定顶出上壳PG16 银白色 | - | - | PG16 | |
| T1922100132-009 | H10BPR-TGHC-M32-EMC-C H10BPR HOOD,CENTER LOCKING, TOP ENTRY M32, POWDER COATED, BLACK H10BPR中部锁定顶出上壳M32 黑色 | - | - | M32 | |
| T1922100129-009 | H10BPR-TGHC-PG29-EMC-C H10BPR HOOD,CENTER LOCKING, TOP ENTRY PG29, POWDER COATED, BLACK H10BPR中部锁定顶出上壳PG29 黑色 | - | - | PG29 | |
| T1922100125-009 | H10BPR-TGHC-M25-EMC-C H10BPR HOOD,CENTER LOCKING, TOP ENTRY M25, POWDER COATED, BLACK H10BPR中部锁定顶出上壳M25 黑色 | - | - | M25 | |
| T1922100121-009 | H10BPR-TGHC-PG21-EMC-C H10BPR HOOD,CENTER LOCKING, TOP ENTRY PG21, POWDER COATED, BLACK H10BPR中部锁定顶出上壳PG21 黑色 | - | - | PG21 | |
| T1922100120-009 | H10BPR-TGHC-M20-EMC-C H10BPR HOOD,CENTER LOCKING, TOP ENTRY M20, POWDER COATED, BLACK H10BPR中部锁定顶出上壳M20 黑色 | - | - | M20 | |
| T1922100116-009 | H10BPR-TGHC-PG16-EMC-C H10BPR HOOD,CENTER LOCKING, TOP ENTRY PG16, POWDER COATED, BLACK H10BPR中部锁定顶出上壳PG16 黑色 | - | - | PG16 | |

| | | | | |
|---------------------------------------------------------------------------------------------------------------------|--|--------------------------------|--------------------------------|----------------|
| THIS DRAWING IS A CONTROLLED DOCUMENT. | | DWN 14OCT2016 DAVID WANG | STE TE Connectivity | |
| | | CHK 14OCT2016 CHRIS WANG | | |
| DIMENSIONS: mm | | APVD 14OCT2016 XIANG XU | NAME H10BPR-TGHC-PG/M-EMC-C | |
| TOLERANCES UNLESS OTHERWISE SPECIFIED: 0 PLC ± 1 PLC ± 2 PLC ± 3 PLC ± 4 PLC ± ANGLES ± FINISH | | PRODUCT SPEC 108-137191 | RESTRICTED TO | |
| MATERIAL | | APPLICATION SPEC 114-137191 | SIZE A2 | CAGE CODE - |
| | | WEIGHT - | DRAWING NO G-T192210XXXX009 | SCALE 1:1 |
| | | CUSTOMER DRAWING | SHEET 2 | OF 2 |
| | | | REV A | |