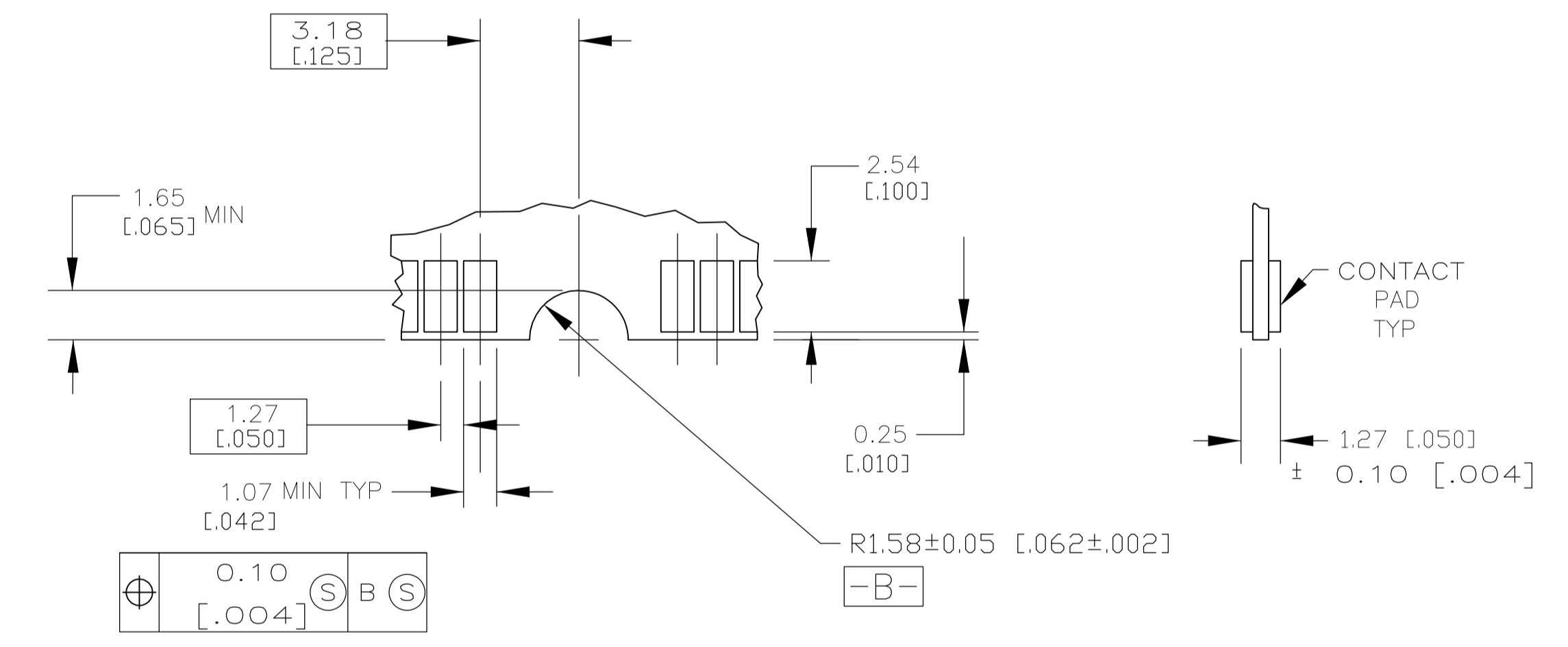
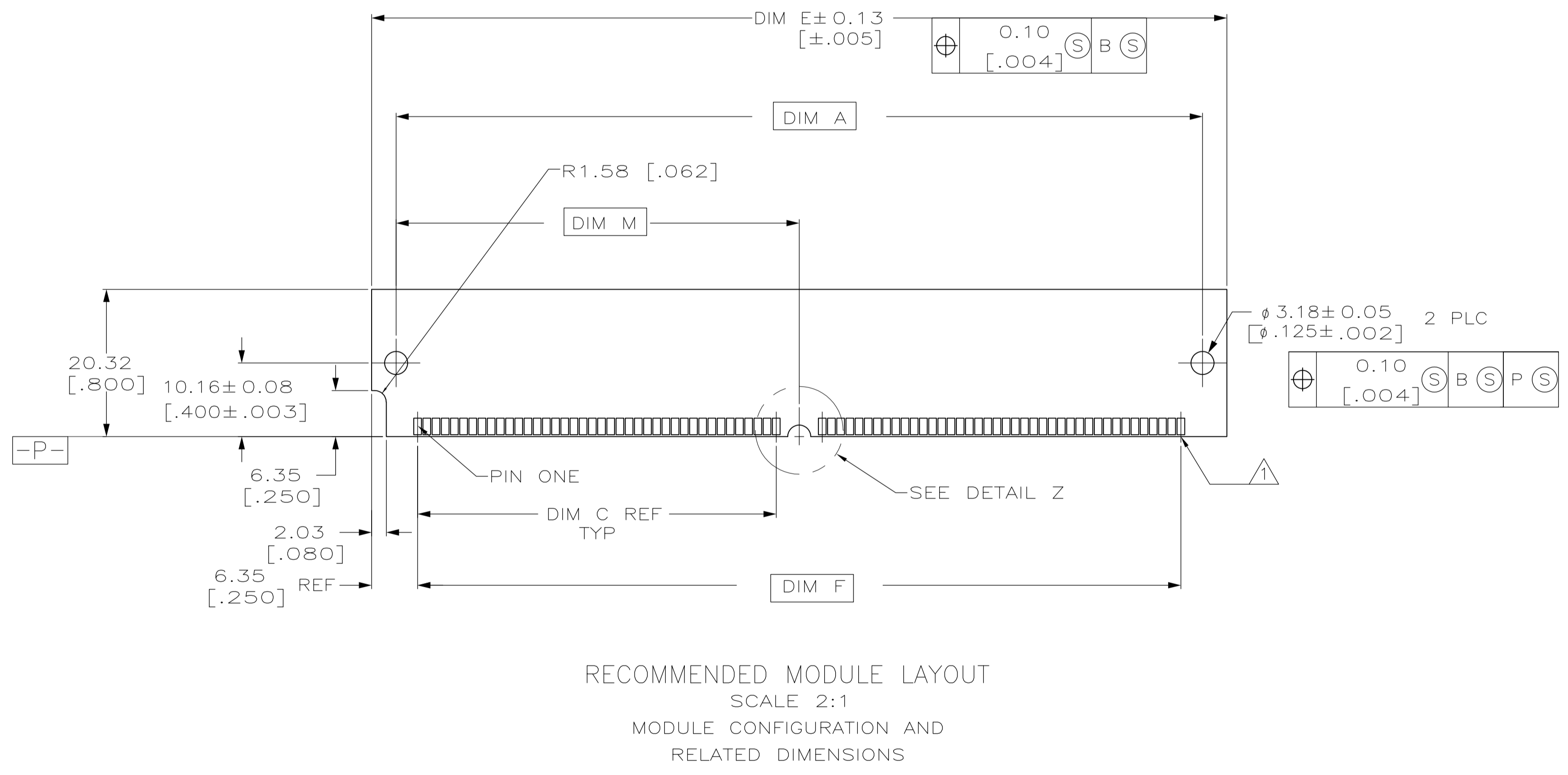
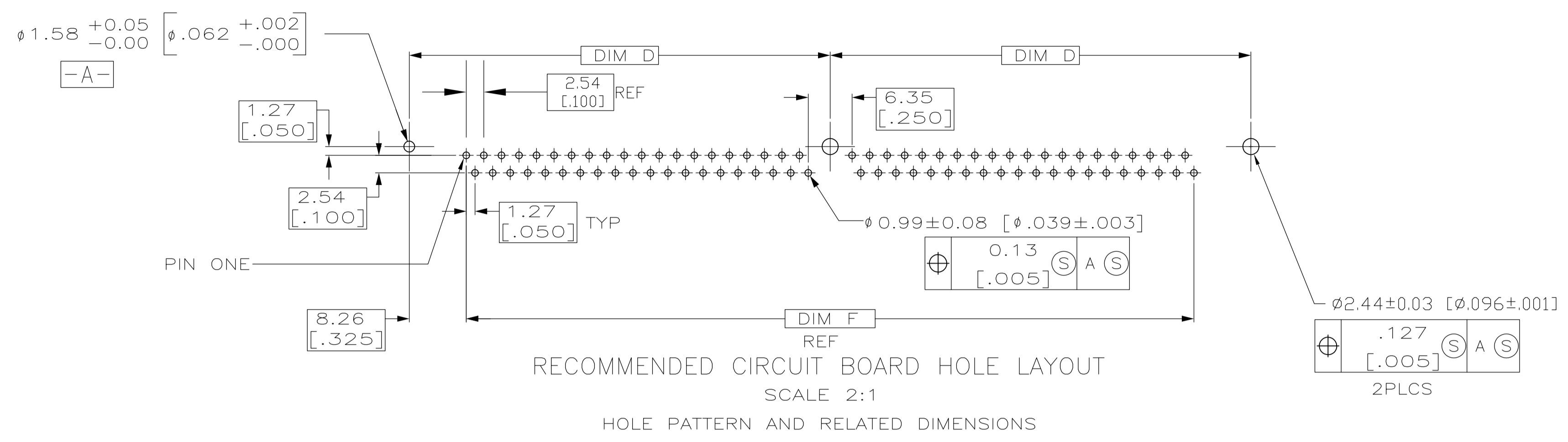


THIS DRAWING IS A CONTROLLED DOCUMENT.		DIN	WENKE HE	29MAR05	 TE Connectivity
DIMENSIONS: INCHES		CHK	STEVEN YAO	29MAR05	
TOLERANCES UNLESS OTHERWISE SPECIFIED:		APVD	RENOMOTO	29MAR05	NAME
0. PLC	± -	PRODUCT SPEC		SIMM II RTANG 1.27[.050]	
1. PLC	± -	APPLICATION SPEC		1.27 [.500] CL ASSY.,	
2. PLC	± -	MATERIAL		6.350 [.250] HEIGHT	
3. PLC	± .127(.005)	FINISH		SIZE	
4. PLC	± -	HSG:GLASS REINF		CASE CODE	
ANGLES	± -	DRAWING NO		DRAWING NO	
RESTRICTED TO		WEIGHT		DRAWING NO	
CUSTOMER DRAWING		A1		00779	
SCALE		4:1		SHEET	
SHEET		1		OF 2	
REV		P		REV	



55.68 [2.192]	121.92 [4.800]	105.41 [4.150]	118.11 [4.650]	60.96 [2.400]	49.53 [1.950]	125.73 [4.950]	111.35 [4.384]	80	8-5382486-0
50.60 [1.992]	111.76 [4.400]	95.25 [3.750]	107.95 [4.250]	55.88 [2.200]	44.45 [1.750]	115.57 [4.550]	101.19 [3.984]	72	7-5382486-2
DIM M	DIM J	DIM F	DIM E	DIM D	DIM C	DIM B	DIM A	POSN	PART NO.

THIS DRAWING IS A CONTROLLED DOCUMENT.

DIMENSIONS: INCHES	TOLERANCES UNLESS OTHERWISE SPECIFIED:	0 PLC ± -	1 PLC ± -	2 PLC ± -	3 PLC ± 0.13[.005]	4 PLC ± -	ANGLES ± -
MATERIAL		FINISH		WEIGHT		RESTRICTED TO	

DWG: WENKE HE 29MAR05
 CHK: STEVEN YAO 29MAR05
 APVD: IENOMOTO 29MAR05
 NAME: SIMM II, RTANG, 1.27 [.050] CL ASSY., 6.35 [.250] HGT
 SIZE: A1
 CAGE CODE: 5382486
 SCALE: 4:1
 SHEET: 2 OF 2
 REV: P

STE TE Connectivity