

MATERIAL NUMBER	# OF COLUMNS	# OF DIFF PAIR	DM 'A' MAX	DM 'B'	PTH ϕ
76495-18**	8	32	15.20	13.30	0.46+0.05
76495-11**	10	40	19.00	17.10	0.46+0.05
76495-16**	16	64	30.40	28.50	0.46+0.05
76495-18**	8	32	15.20	13.30	0.39+0.05
76495-11**	10	40	19.00	17.10	0.39+0.05
76495-16**	16	64	30.40	28.50	0.39+0.05
76495-17**	14	56	26.60	24.70	0.46+0.05
76495-17**	14	56	26.60	24.70	0.39+0.05
76495-12**	12	48	22.80	20.90	0.46+0.05
76495-12**	12	48	22.80	20.90	0.39+0.05

76495-1***

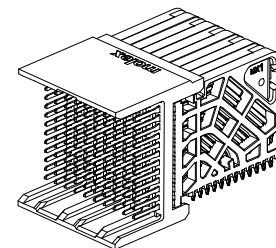
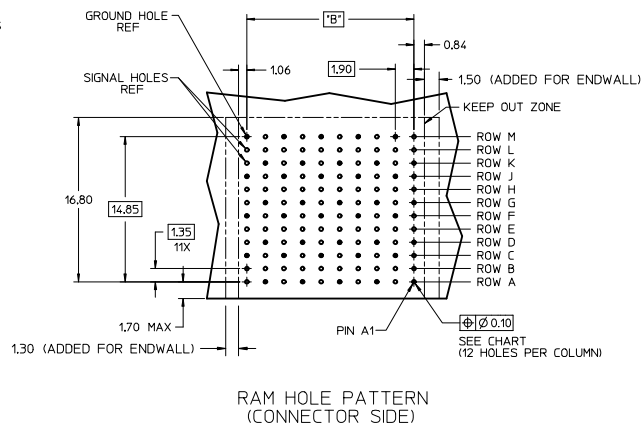
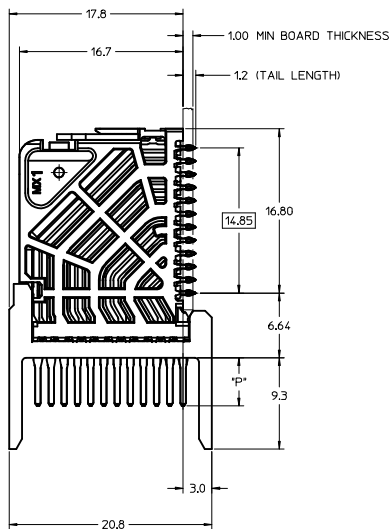
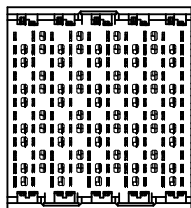
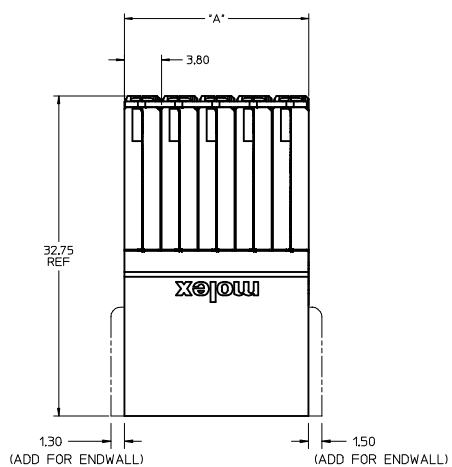
MODULE TYPE
1 = UNGUIDED, LEAD-FREE

OF COLUMNS
1 = 10 COLUMNS
6 = 16 COLUMNS
8 = 8 COLUMNS
7 = 14 COLUMNS
2 = 12 COLUMNS

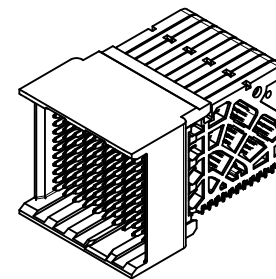
PIN LENGTH (P)
4 = 4.90 (0.46 PTH)
5 = 5.50 (0.46 PTH)
7 = 4.90 (0.39 PTH)
8 = 5.50 (0.39 PTH)

END WALL OPTIONS
0 = OPEN ENDS
1 = LEFT ENDWALL
2 = DUAL ENDWALL
3 = RIGHT ENDWALL

- NOTES:
1. MATERIALS: HOUSING - LIQUID CRYSTAL POLYMER (LCP), GLASS-FILLED, UL94V-0
TERMINALS - HIGH PERFORMANCE COPPER ALLOY
 2. FINISH: 30HM SELECTIVE GOLD IN CONTACT AREA, SELECTIVE TIN ON PCB TAILS, NICKEL OVERALL.
 3. REFER TO MOLEX PRODUCT SPECIFICATION PS-170540-999 FOR PERFORMANCE SPECIFICATIONS AND ADDITIONAL PCB INFORMATION.
 4. EACH SIGNAL WAFER CONTAINS 2 COLUMNS OF TERMINALS.
 5. PRODUCT IS PACKAGED PER PK-70873-041.
 6. THIS PART CONFORMS TO CLASS B REQUIREMENTS OF COSMETIC SPEC PS-45499-002.
 7. REFER TO MOLEX SALES DRAWING SD-170340-001 FOR THE MATING RECEPTACLES.
 8. REFER TO MOLEX PCB ROUTING GUIDE AS-76060-990 FOR ANTIPAD AND ROUTING RECOMMENDATIONS.
 9. GROUND PATHS ARE NOT DISCRETE CIRCUITS.

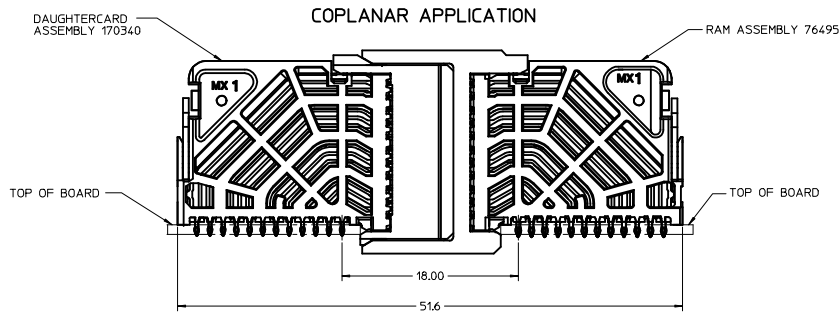
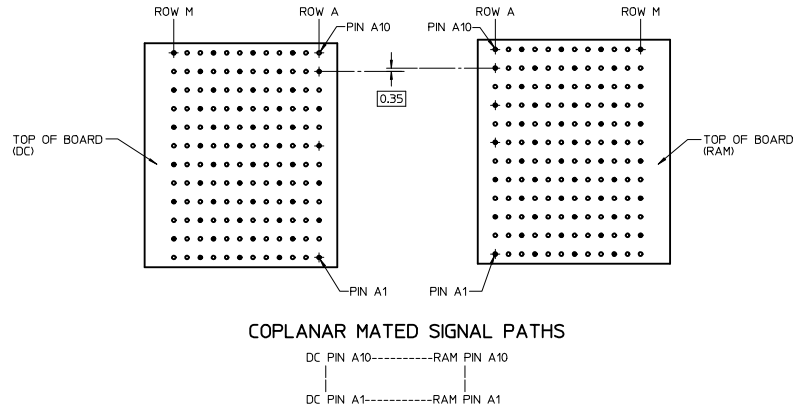


OPEN END OPTION



DUAL WALL OPTION

REMOVED PRE MARK EC NO: UCP2014-413 DRAWN: M. RAUSE CHYD: APPR: TELO 2014/06/23 2014/04/23	QUALITY SYMBOLS	GENERAL TOLERANCES (UNLESS SPECIFIED)	DIMENSION STYLE	SCALE	DESIGN UNITS	THIRD ANGLE PROJECTION	
	▼=0 ▽=0	mm INCH 4 PLACES ±--- ±--- 3 PLACES ±--- ±--- 2 PLACES ±.13 ±--- 1 PLACE ±0.25 ±--- ANGULAR ±1/2°	MM ONLY	4:1	METRIC	DRAWN BY: JL AURX DATE: 2010/11/16 CHECKED BY: DATE: APPROVED BY: TELO DATE: 2014/03/21	TITLE: IMPACT 4 PAIR PLUS 850HM RAM SIGNAL MODULE UNGUIDED SALES DRAWING MOLEX INCORPORATED
	DRAFT WHERE APPLICABLE MUST REMAIN WITHIN DIMENSIONS	MATERIAL NO. SEE CHART	DOCUMENT NO. SD-76495-001	SHEET NO. 1 OF 2			
	SIZE D	THIS DRAWING CONTAINS INFORMATION THAT IS PROPRIETARY TO MOLEX INCORPORATED AND SHOULD NOT BE USED WITHOUT WRITTEN PERMISSION					



REMOVED PRE MARK EC NO: UCP2014-413 DRAWN/KRAUSE 2014/01/23 CHKD: A1 APPR:TELO 2014/06/23 REV	QUALITY SYMBOLS	GENERAL TOLERANCES (UNLESS SPECIFIED)	DIMENSION STYLE	SCALE	DESIGN UNITS	THIRD ANGLE PROJECTION
	▼=0 ▽=0	mm INCH 4 PLACES ±--- ±--- 3 PLACES ±--- ±--- 2 PLACES ±0.13 ±--- 1 PLACE ±0.25 ±--- ANGULAR ±1/2°	MM ONLY	4:1	METRIC	DRAWN BY: JLAURX DATE: 2010/11/16 CHECKED BY: DATE:
	DRAFT WHERE APPLICABLE MUST REMAIN WITHIN DIMENSIONS		SEE CHART	TITLE: IMPACT 4 PAIR PLUS 850HM RAM SIGNAL MODULE UNGUIDED SALES DRAWING MOLEX INCORPORATED		
			MATERIAL NO. SD-76495-001 DOCUMENT NO.	APPROVED BY: TELO DATE: 2014/03/21 SHEET NO. 2 OF 2		