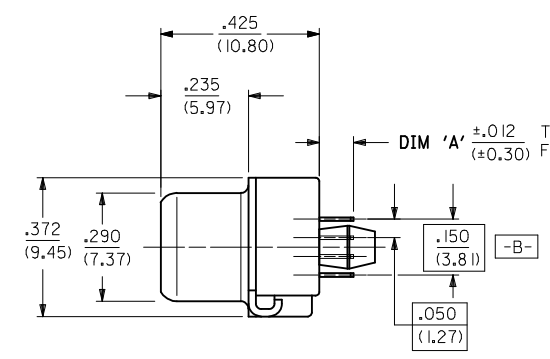
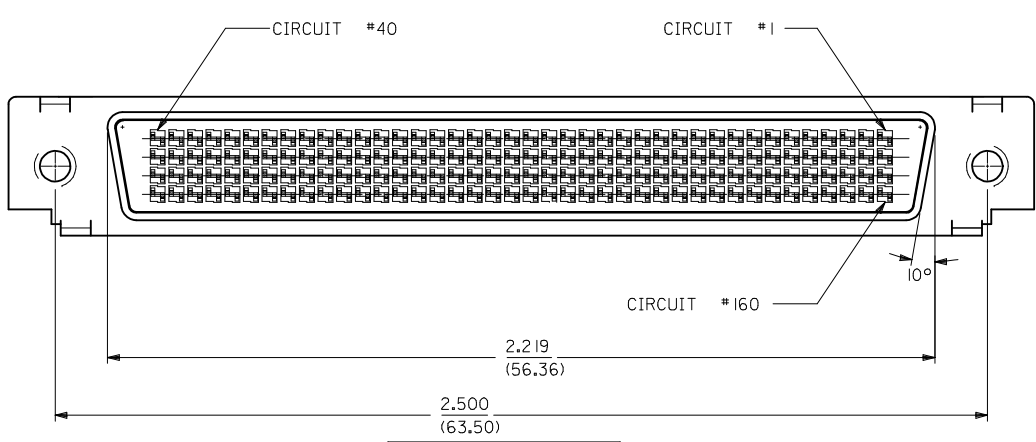


M3 INTERNALLY THREADED  
(BOARD LOCK OPTION  
SHOWN - SEE CHART)

GUIDE SLEEVE  
NOTE: THIS HARDWARE MUST  
BE USED TO ENSURE  
PROPER GROUNDING.  
SEE SDA-71629-\*\*\*\*.



		OPTIONS				
ENG. NUMBER	ITEM NUMBER	DIM 'A'	M3 INSERT	BOARDLOCK	PACKAGING SPEC.	TRUE-POSITION
A-71626-1000	051-24-1030	.092/(2.34)	YES	NO	PK-70873-297	⊕ .005/(0.13) Ⓜ A B
A-71626-1001	71626-1001	.092/(2.34)	YES	YES	PK-70873-297	⊕ .005/(0.13) Ⓜ A B
A-71626-1002	71626-1002	.092/(2.34)	NO	NO	PK-70873-297	⊕ .005/(0.13) Ⓜ A B
A-71626-1003	71626-1003	.125/(3.18)	YES	NO	PK-70873-297	⊕ .005/(0.13) Ⓜ A B
A-71626-1004	71626-1004	.125/(3.18)	YES	YES	PK-70873-297	⊕ .005/(0.13) Ⓜ A B
A-71626-1005	71626-1005	.125/(3.18)	NO	NO	PK-70873-297	⊕ .005/(0.13) Ⓜ A B
A-71626-1006	71626-1006	.177/(4.49)	YES	NO	PK-70873-1005	⊕ .020/(0.51) Ⓜ A B
A-71626-1007	71626-1007	.210/(5.33)	YES	NO	PK-70873-1005	⊕ .020/(0.51) Ⓜ A B

<b>SEE SHEET 2</b> EC NO: UCP2010-0117 DRWNS/DANIELLY 2009/07/23 CHYK/DJORGAN 2009/07/24 APPR/SKILLER 2009/07/24	QUALITY SYMBOLS ▽=0 ▽=0	GENERAL TOLERANCES (UNLESS SPECIFIED): mm      INCH		DIMENSION STYLE <b>MM ONLY</b>	SCALE <b>METRIC</b>	DESIGN UNITS <b>METRIC</b>	THIRD ANGLE PROJECTION		
		4 PLACES ±--- ±--- 3 PLACES ±--- ±--- 2 PLACES ±--- ±--- 1 PLACE ±--- ±---	DRAWN BY MOS DATE 1994/08/29	CHECKED BY GF DATE 1994/08/29	APPROVED BY GF DATE 1994/08/29	TITLE <b>.050 PITCH LFH 160 CKT VERTICAL I/O FEMALE SALES ASSEMBLY</b>			
		ANGULAR ±1/2°		MATERIAL NO. <b>SEE TABLE</b>		MOLEX INCORPORATED			
		DRAFT WHERE APPLICABLE MUST REMAIN WITHIN DIMENSIONS		SIZE <b>D</b>		DOCUMENT NO. <b>SDA-71626-1****</b>			SHEET NO. <b>1 OF 2</b>

THIS DRAWING CONTAINS INFORMATION THAT IS PROPRIETARY TO MOLEX INCORPORATED AND SHOULD NOT BE USED WITHOUT WRITTEN PERMISSION

NOTES:

1) MATERIALS:

HOUSING: GLASS FILLED LCP (LIQUID CRYSTAL POLYMER), UL 94V-0, BLACK.  
 MOLDED STICK: GLASS FILLED LCP (LIQUID CRYSTAL POLYMER), UL 94V-0, BLACK.  
 FEMALE CONTACT: HIGH PERFORMANCE COPPER ALLOY  
 OUTER SHELL: LOW CARBON STEEL.  
 THREADED BOARD LOCK: BRASS.

2) PLATING :

CONTACT: 30 microinches / 0.76 micrometer MIN. GOLD IN SELECTIVE AREA;  
 100 microinches / 2.54 micrometers MIN. TIN SELECTIVE AREA;  
 OVER NICKEL UNDERPLATE OVERALL.

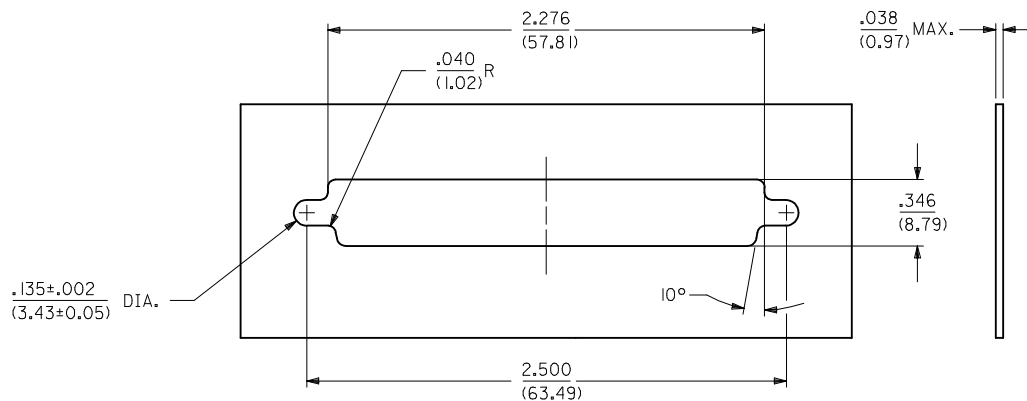
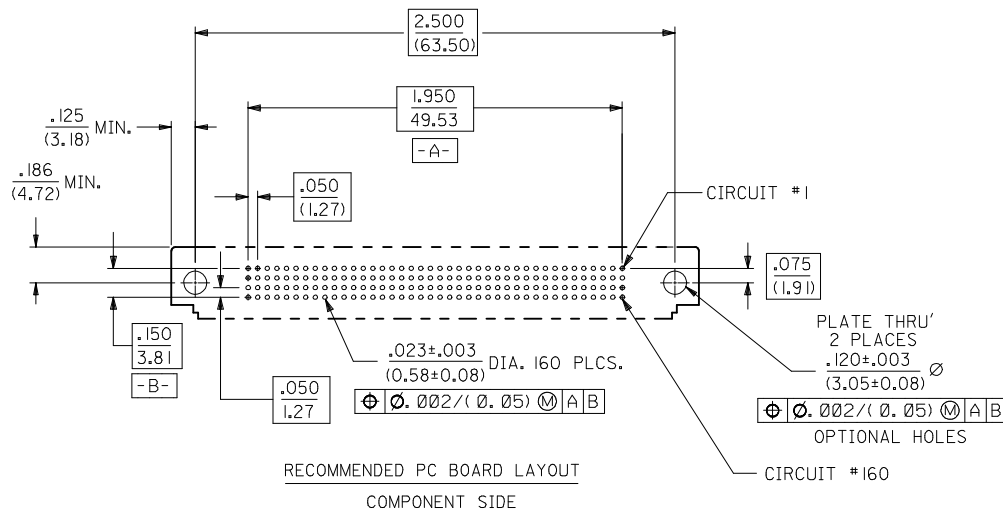
OUTER SHELL: 100 microinches / 2.54 micrometers MINIMUM BRIGHT NICKEL;  
 OVER COPPER FLASH (OPTIONAL).

BOARDLOCK: 150 microinches / 3.81 micrometers MINIMUM BRIGHT TIN;  
 NICKEL UNDERPLATE.

3) THIS PART CONFORMS TO MOLEX PRODUCT SPECIFICATION PS-71626.

4) PART COMPLIES WITH CLASS B OF COSMETIC SPECIFICATION PS-45499-002.

5) PARTS PACKAGED PER PK-70873-0299.



PANEL CUT-OUT DIMENSIONS  
 ALL TOLERANCES ±.003/(0.08)  
 UNLESS OTHERWISE STATED.

REVISE NOTES EC NO: UCP2010-0117 DRWNS: DANIELLY 2009/07/23 CHKD: DMORGAN 2009/07/24 APPR: SMILLER 2009/07/24	QUALITY SYMBOLS ▽=0 ▽=0	GENERAL TOLERANCES (UNLESS SPECIFIED)		DIMENSION STYLE MM ONLY		SCALE	DESIGN UNITS METRIC	THIRD ANGLE PROJECTION			
		4 PLACES ± --- ± ---	3 PLACES ± --- ± ---	2 PLACES ± --- ± ---	1 PLACE ± --- ± ---	DRAWN BY MOS	DATE 1994/08/29	TITLE .050 PITCH LFH 160 CKT VERTICAL I/O FEMALE SALES ASSEMBLY			
		ANGULAR ±1/2°				CHECKED BY GF	DATE 1994/08/29	APPROVED BY GF			
		DRAFT WHERE APPLICABLE MUST REMAIN WITHIN DIMENSIONS				MATERIAL NO. SEE TABLE	DATE 1994/08/29	MOLEX INCORPORATED		DOCUMENT NO. SDA-71626-1****	
				SIZE C	THIS DRAWING CONTAINS INFORMATION THAT IS PROPRIETARY TO MOLEX INCORPORATED AND SHOULD NOT BE USED WITHOUT WRITTEN PERMISSION				SHEET NO. 2 OF 2		