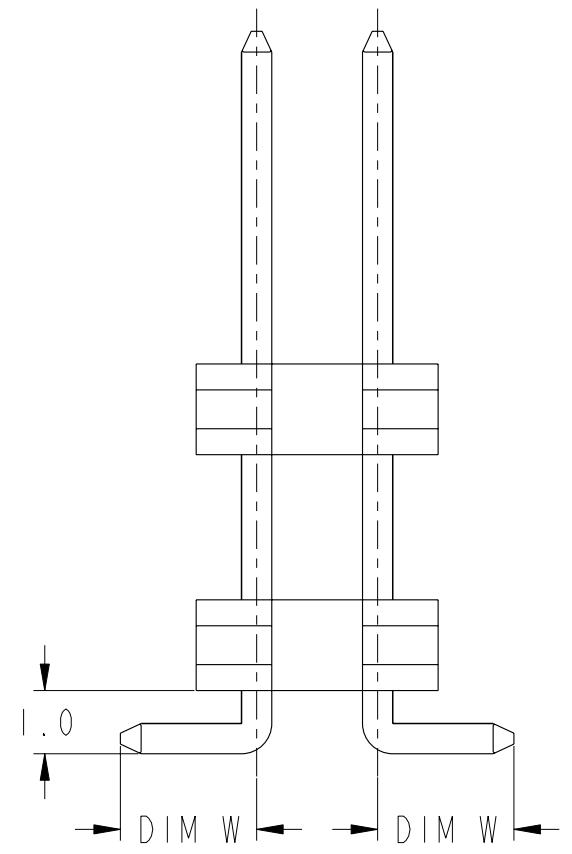
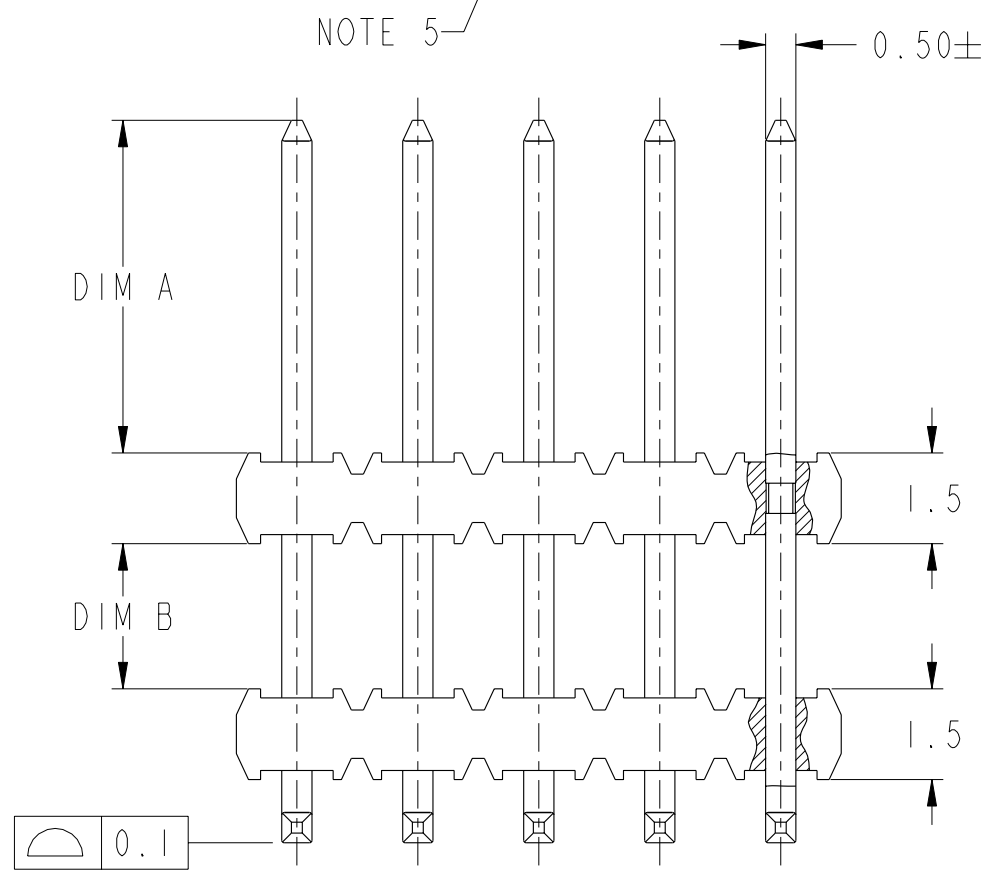
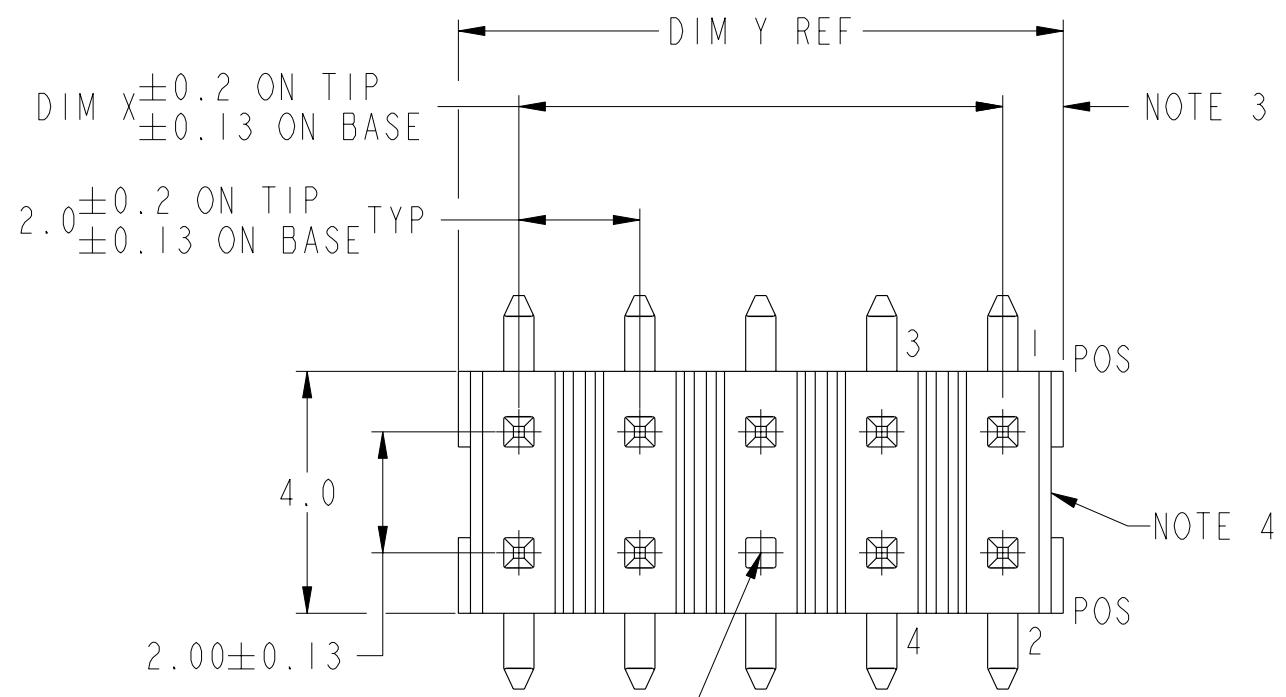


I 2 3 4



CONFIDENTIAL

www.fciconnect.com		surface - ✓ ISO 1302	tolerance std ISO 406 ISO 1101	projection MM
TOLERANCES UNLESS OTHERWISE SPECIFIED				
Dr	KH LEE	2006-06-01	ANGULAR	0.X ±-
Eng	KH LEE	2006-06-01	LINEAR	0.XX ±0.25
Chr	KH LEE	2009-12-02	0° ±3°	0.XXX ±-
Appr	JOEY NG	2009-12-02	Product family	MINITEK Spec ref -
FCi		MINITEK II R/R		dwg no 10069527
		SMT STR DUPEX HDR		Rev. E
		catalog no -		CUSTOMER sheet 1 of 2

rev	ecn no	dr	date
A	S06-0192	KHL	2006-06-01
B	S06-0233	KHL	2006-07-10
C	S06-0385	KHL	2006-11-21
D	S07-0081	KHL	2007-03-01
E	S10-0205	PR	2009-12-02
-	-	-	-
-	-	-	-

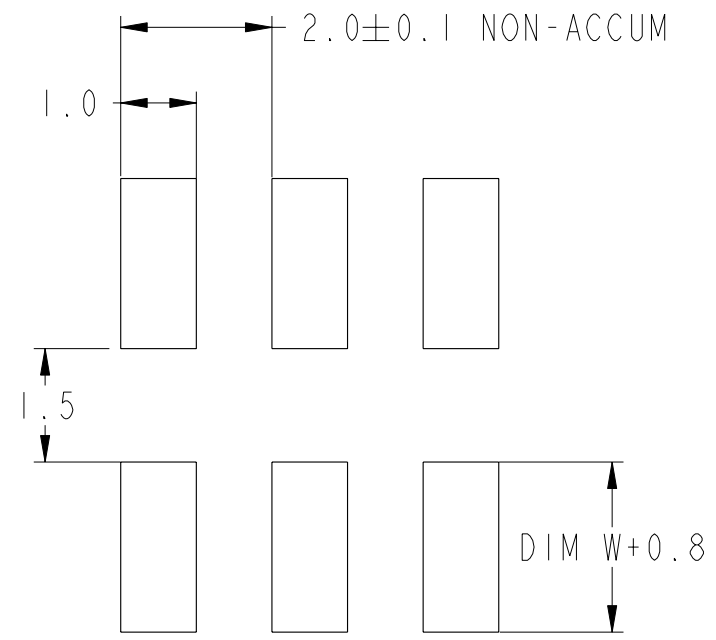
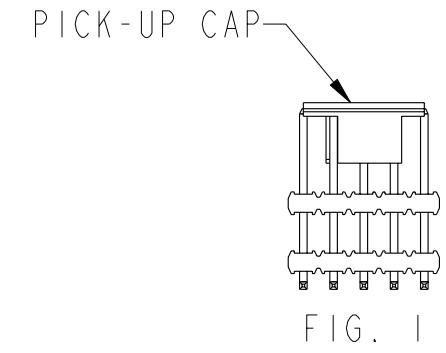
Copyright FCI.

I 2 3 4

PRODUCT NO.	POS	DIM X	DIM Y	DIM A	DIM B	DIM W	POL. POS	CONTACT PLATING	MAT'L COLOR	TUBE PACK'G AVAILABLE	TUBE W CAP PACK'G AVAILABLE
10069527-001LF	2X5	8	10	5.5	2.4	2.25	-	0.76µm MIN Au	BLACK	-	-
10069527-002LF	2X4	6	8	4.0	7.5	2.25	-	0.76µm MIN Au	BLACK	-	-
10069527-003LF	2X4	6	8	4.5	3.0	2.25	-	0.76µm MIN Au	BLACK	-	-

NOTES:

- MATERIAL:
BODY : GLASS FILLED PCT UL 94V-0 (REFER TO TABLE FOR COLOR)
PIN : PHOSPHOR BRONZE
- TOLERANCE UNLESS OTHERWISE NOTED ±0.25
- DIM 1.0±0.15 FOR MOLDED SIDE(S) ONLY. IF SIDE(S) ARE BROKEN, DIM 1.5 MAX APPLIES
- RECESS APPLIES TO MOLDED SIDE(S) ONLY.
- POLARISATION BY OMISSION OF PIN. POSITION REFER TO TABLE
- STANDARD PACKAGING IN PLASTIC BAG.
- P/N 10069527-XXXTC TO BE PACKED IN TUBE WITH PICK-UP CAP INSTALLED IN THE CENTRE OF PRODUCT. SEE FIG. 1. REFER TO TABLE FOR AVAILABILITY.
- P/N 10069527-XXXT TO BE PACKED IN TUBE. REFER TO TABLE FOR AVAILABILITY.
- P/N 10069527-XXXTR TO BE PACKED WITH TAPE AND REEL (OPTIONAL: PICK-UP CAP). FCI MUST BE CONTACTED FOR AVAILABILITY IN SIZE REQUESTED.



10. SOLDER TAIL PLATING:
2.54µm MIN 100% MATTE TIN PLATING OVER 1.27µm MIN NICKEL UNDERPLATE.

11. PRODUCT DESCRIPTION CODE:
XXXXXXXX - XXXLF
 _____ LEAD FREE SEE NOTE 12 & 13
 _____ EXTENSION NUMBER
 _____ BASE NUMBER

12. THE HOUSING WILL WITHSTAND EXPOSURE TO 255°C PEAK TEMPERATURE FOR 10 SECONDS IN A CONVECTION, INFRA-RED OR VAPOR PHASE REFLOW OVEN..

13. THIS PRODUCT MEETS EUROPEAN UNION DIRECTIVES AND OTHER COUNTRY REGULATIONS AS DESCRIBED IN GS-22-008.

14. A SYMBOL WILL BE NEXT TO ANY DIMENSION, VIEW OR NOTE WHICH HAS BEEN MODIFIED WITH THE CURRENT DRAWING REVISION.

CONFIDENTIAL

www.fciconnect.com			surface - ✓ ISO 1302	tolerance std ISO 406 ISO 1101	projection 	MM
			TOLERANCES UNLESS OTHERWISE SPECIFIED			
Dr	KH LEE	2006-06-01	ANGULAR	LINEAR	0.X	±-
Eng	KH LEE	2006-06-01			size A3	Scale 8:1
Chr	KH LEE	2009-12-02	0° ±3°		0.XXX	±-
Appr	JOEY NG	2009-12-02	Product family		MINITEK	Spec ref -
			MINITEK II R/R		dwg no	10069527
			SMT STR DUPEX HDR			Rev. E
			catalog no	-	CUSTOMER	sheet 2 of 2