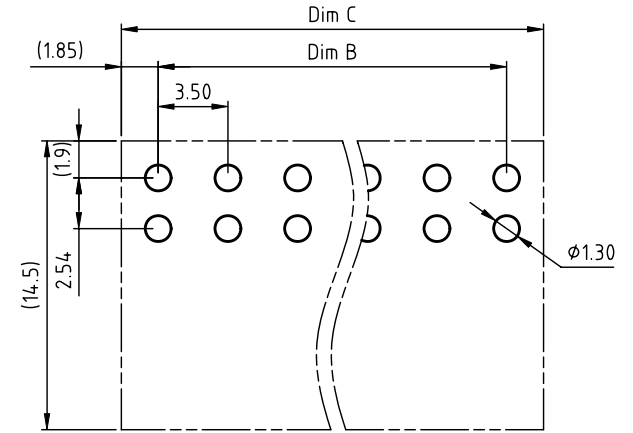
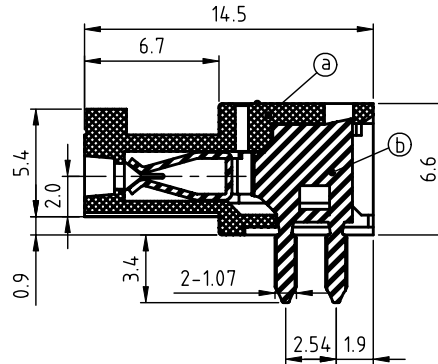
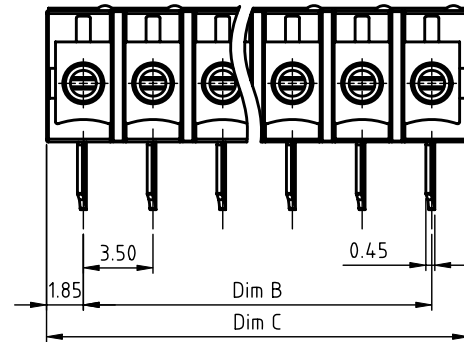
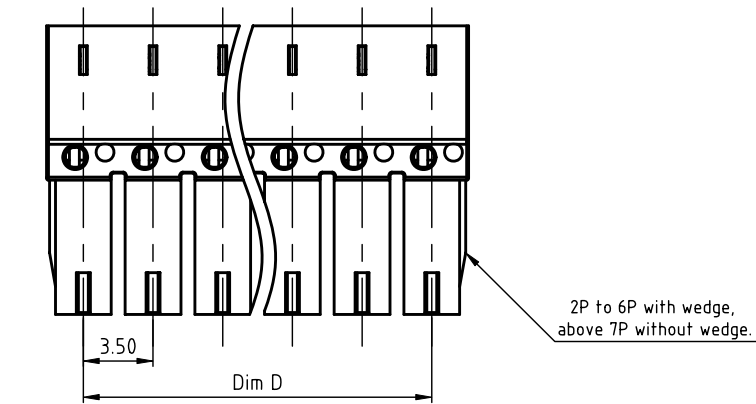


PRODUCT NUMBER	PITCH
V7xx11x100J0G	3.50 mm



RECOMMENDED P.C.B LAYOUT
TOP VIEW

- Material:
- Item Ⓐ Terminal body: Thermoplastic (UL94V-0)
 - Item Ⓒ Female contact: PhBz(CuSn), Tin plated
- Electrical cULus
- Voltage rating: 300VAC
 - Current rating: 4A
 - Withstanding Voltage: 1.6kv
 - Operating temperature: -40°C to +115°C
 - Soldering temperature: 260°C±5°C/5 Sec
 - Safety Approval: us

Dimension
Dim B=(N-1)×3.5
Dim C=(N-1)×3.5+3.7
Dim D=(N-1)×3.5
N=Number of poles

Poles	Tolerance
2p-6p	±0.15
7p-12p	±0.20
13p-18p	±0.30
19p-24p	±0.40

PART NO.: V7 xx 11 x 1 00J0 G

		Color	RoHS compliant (lead<4%) In copper Alloy
Solid block	0	Black (RAL9005)	
No. of poles	2	Red (RAL3001/D)	
02 2poles	3	Orange(RAL2011/P)	
03 3poles	4	Yellow(RAL1018/A)	
...	...	5 Green(RAL6018/T)	
24 24poles	6	Blue (RAL5015/A)	
	8	Grey(RAL7035/D)	
	9	White(RAL1102)	
	C	Green(RAL6018/U)	

mat'l. code		surface ASME Y14.5 ✓	tolerance ASME Y14.5	projection	product family
ltr ecn no dr date		tolerances unless otherwise specified			TERMINAL BLOCK
		angles	X.±0.5	MM	title
		fin	X.X±0.3		TERMINAL BLOCK
		X*1*	X.XX±0.1	scale	PLUGGABLE PCB PLUG,RIGHT ANGLE
		dr	EVIN ZHONG 043014		dwg no
		enr	EVIN ZHONG 043014		sheet 1 of 1
		chr	HANKE FENG 043014		size
		appd	SHI JUN 043014		A4
sheet index	revision sheet	A	1		type
					CUSTOMER Drawing