

INTERCONNECTS

SERIES 410, 411, 415 • .100" GRID SOLDER TAIL • DOUBLE ROW STRIPS

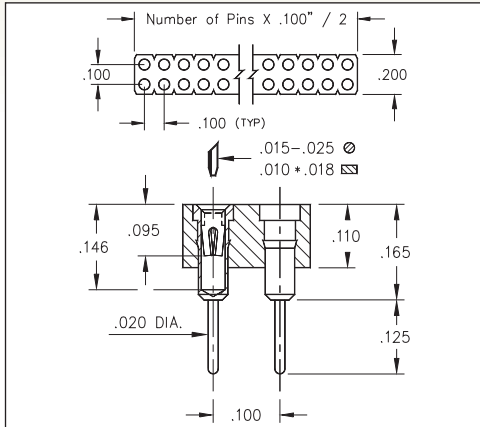


FIG. 1

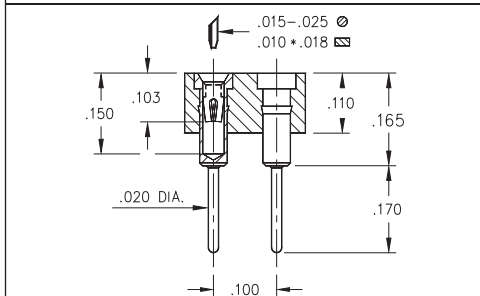


FIG. 2

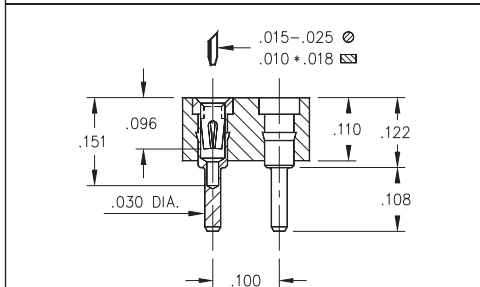


FIG. 3

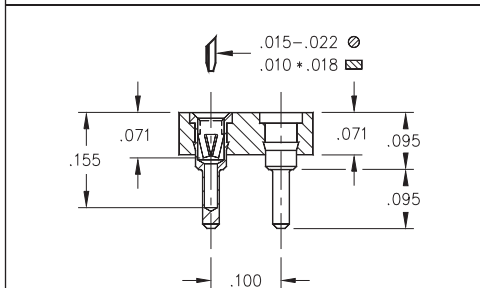


FIG. 4

- Series 41X double row strip sockets are on .100" grid
- Various solder tails available: standard length, long for multi-layer boards, very low and ultra low profile. See Mill-Max #1001, #0134, #0501 or #1534 pins. See pages 161, 162 and 165 for details
- Hi-Rel, 4-finger BeCu #12 and #30 contact are rated at 3 amps. See pages 252 and 253 for details
- Insulators are high temperature thermoplastic, suitable for all soldering operations



ORDERING INFORMATION

	Series 410...001	Standard Solder Tail					
FIG. 1	410-XX-2	-41-001000 Specify number of pins → 04-64					
	Series 411...001	Long Solder Tail					
FIG. 2	411-XX-2	-41-001000 Specify number of pins → 04-64					
	Series 415...001	Very Low Profile					
FIG. 3	415-XX-2	-41-001000 Specify number of pins → 04-64					
	Series 415...003	Ultra Low Profile					
FIG. 4	415-XX-2	-41-003000 Specify number of pins → 04-64					
<div style="display: flex; justify-content: space-around; align-items: center;"> <div style="border: 1px solid black; padding: 5px; background-color: #90EE90;">RoHS-2 2011/65/EU</div> <div style="border: 1px solid black; border-radius: 50%; padding: 5px;">XX=Plating Code See Below</div> <div style="border: 1px solid black; border-radius: 50%; padding: 5px;">For Electrical, Mechanical & Environmental Data, See page 264</div> </div>							
SPECIFY PLATING CODE XX=							
	11	13	91	93	41	43	
Sleeve (Pin)	10 μ" Au	10 μ" Au	200 μ" Sn/Pb	200 μ" Sn/Pb	200 μ" Sn	200 μ" Sn	
Contact (Clip)	10 μ" Au	30 μ" Au	10 μ" Au	30 μ" Au	10 μ" Au	30 μ" Au	

