

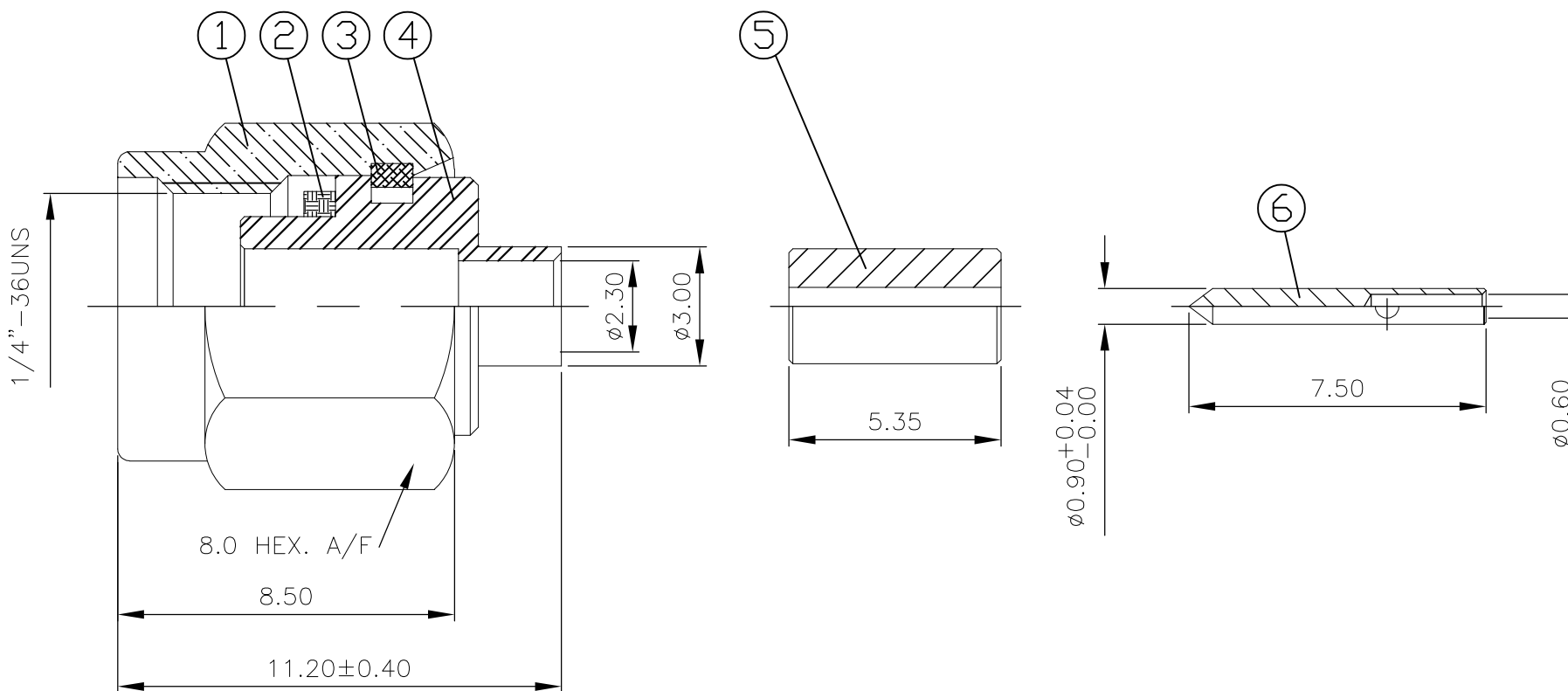
THIS DRAWING IS UNPUBLISHED. RELEASED FOR PUBLICATION APRIL, 2004.

© COPYRIGHT 2004 By - ALL RIGHTS RESERVED.

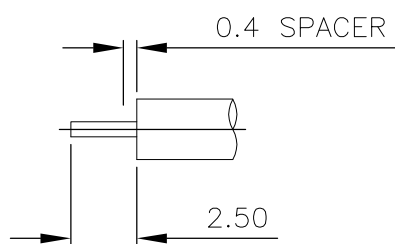
LOC	DIST	P	LTR	DESCRIPTION	DATE	DWN	APVD
E	B		A1	ECO-11-007944	15APR2011	RZ	MY

NOTES:

- 1 SINGLE PACK IN ACCORDANCE WITH SPEC 107-3275
- 2 100 TRAY PACK IN ACCORDANCE WITH SPEC 107-3275
- 3 0.08µm Au PLATING OVER 1.27µm Ni PLATING
- 4 0.08µm Au PLATING OVER 1.27µm Ni PLATING OVER 0.76µm Cu PLATING
- 5 0.76µm Au PLATING OVER 1.27µm Ni PLATING OVER 0.76µm Cu PLATING
- 6 PASSIVATED (GOLD PLATED CABLE ENTRY)
- 7 FOR TECHNICAL DATA REFER TO YOUR LOCAL TYCO ELECTRONICS SALES OFFICE
- 8 ALL DIMENSIONS ARE NOMINAL FOR REFERENCE ONLY UNLESS OTHERWISE STATED



RECOMMENDED CABLE STRIPPING DIM'S



	1	1	1	1	1	1	1	BRASS	△5	CENTER CONTACT	6
	1	1	1	1	1	1	1	PTFE		INSULATOR	5
	1	1	-	-	-	-	-	BRASS	△4	BODY	4
	-	-	1	1	-	-	-	STAINLESS STEEL	△6	BODY	4
	-	-	-	-	1	1	-	STAINLESS STEEL	△3	BODY	4
	1	1	1	1	1	1	1	STAINLESS STEEL		CIRCLIP	3
	1	1	1	1	1	1	1	SILICON		GASKET	2
	1	1	-	-	-	-	-	BRASS	△4	SHELL	1
	-	-	1	1	-	-	-	STAINLESS STEEL	△6	SHELL	1
	-	-	-	-	1	1	-	STAINLESS STEEL	△3	SHELL	1
	3--1	3--0	2--1	2--0	1--1	1--0		MATERIAL		DESCRIPTION	ITEM
	△2	△1	△2	△1	△2	△1					

THIS DRAWING IS A CONTROLLED DOCUMENT.		DWN R.SMITH 28JAN04	TE Connectivity													
DIMENSIONS: mm		CHK S.PARLOW 28JAN04														
TOLERANCES UNLESS OTHERWISE SPECIFIED:		APVD F.WHEELER-KING 28JAN04														
<table border="0"> <tr><td>0 PLC</td><td>± -</td></tr> <tr><td>1 PLC</td><td>± -</td></tr> <tr><td>2 PLC</td><td>± -</td></tr> <tr><td>3 PLC</td><td>± -</td></tr> <tr><td>4 PLC</td><td>± -</td></tr> <tr><td>ANGLES</td><td>± -</td></tr> <tr><td>FINISH</td><td>± -</td></tr> </table>		0 PLC				± -	1 PLC	± -	2 PLC	± -	3 PLC	± -	4 PLC	± -	ANGLES	± -
0 PLC	± -															
1 PLC	± -															
2 PLC	± -															
3 PLC	± -															
4 PLC	± -															
ANGLES	± -															
FINISH	± -															
MATERIAL SEE TABLE		NAME F.WHEELER-KING	SMA STRAIGHT PLUG DIRECT SOLDER NON CAPTIVE CENTRE CONTACT RG405/U													
		PRODUCT SPEC 108-112003	SIZE A3	CAGE CODE 00779	DRAWING NO C-1478904											
		APPLICATION SPEC 408-4765	RESTRICTED TO -													
		WEIGHT -	SCALE 1:1 SHEET 1 OF 1 REV A1													
		CUSTOMER DRAWING														