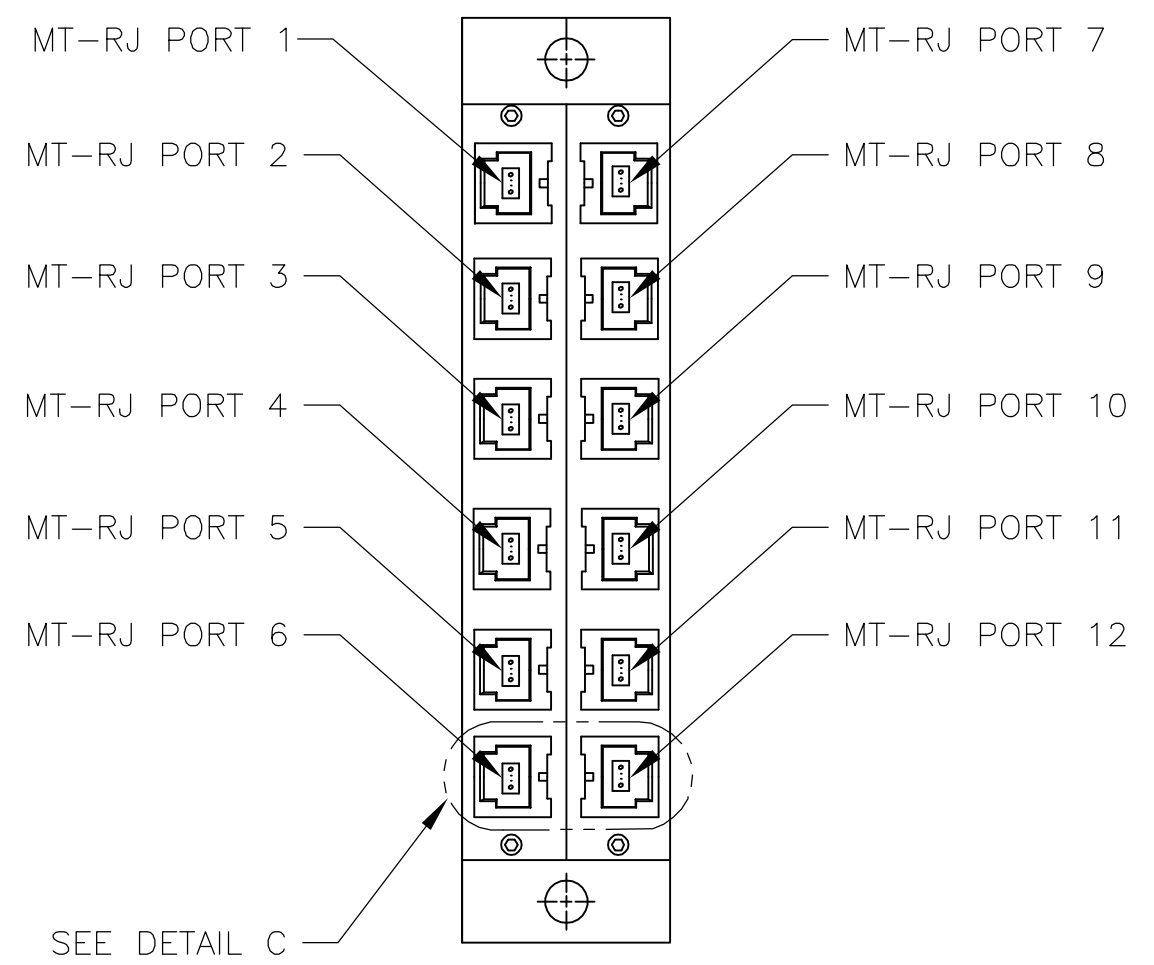
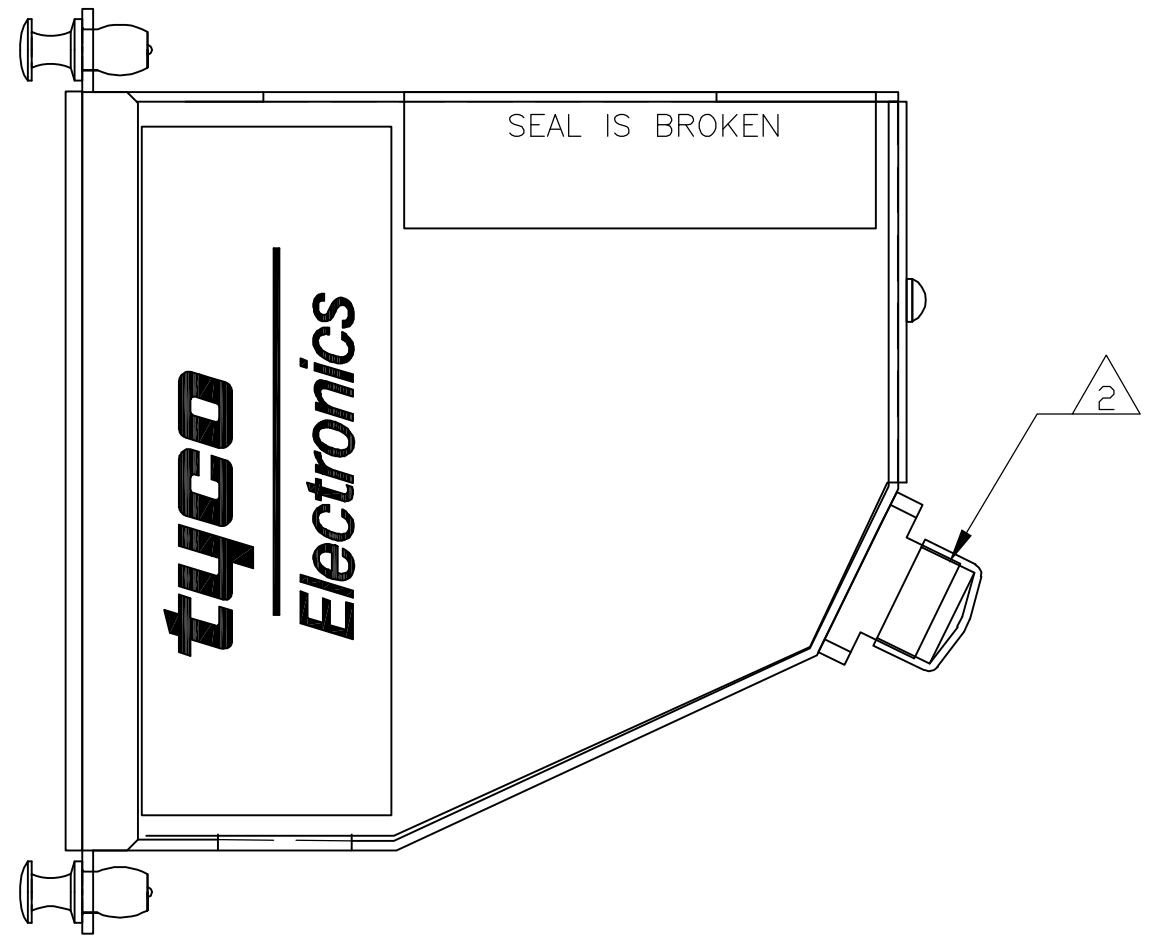


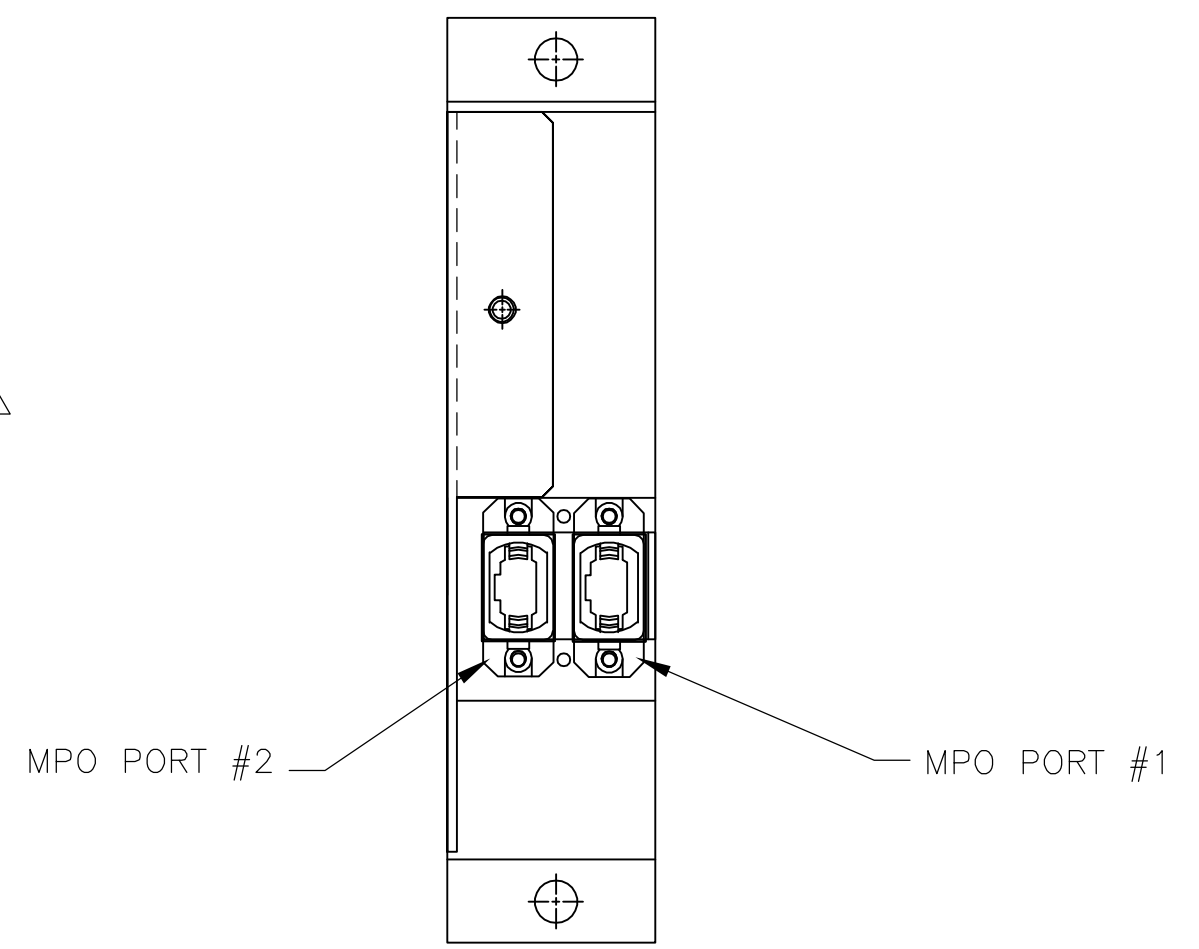
LOC	DIST	REVISIONS					
CE	17	P	LTR	DESCRIPTION	DATE	DWN	APVD
		A1		MINOR REVISION	11APR07	DLF	DLF



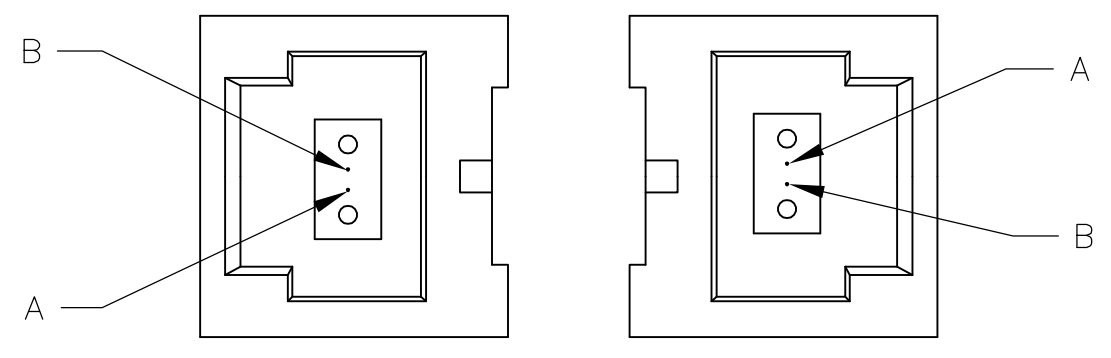
FRONT VIEW



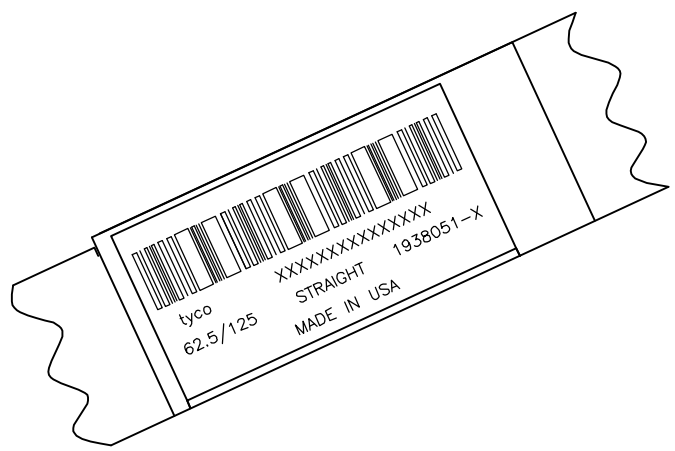
RIGHT SIDE VIEW



REAR VIEW



DETAIL C  
 NOT TO SCALE  
 TYP. 6 PLC.



THIS DRAWING IS A CONTROLLED DOCUMENT.		DWN D. FENNEL	19MAR07	<b>tyco Electronics</b> Tyco Electronics Corporation Harrisburg, Pa 17105-3608	
DIMENSIONS: mm		CHK D. FENNEL	19MAR07	NAME D. FENNEL	
TOLERANCES UNLESS OTHERWISE SPECIFIED: 0 PLC ± - 1 PLC ± - 2 PLC ± - 3 PLC ± - 4 PLC ± - ANGLES ± - FINISH -		APVD D. FENNEL	19MAR07	PRODUCT SPEC CASSSETE ASSY, 62.5/125um, 12 PORT, MPO SECURE TO MT-RJ SECURE, STRAIGHT FIBER PATH	
MATERIAL -		APPLICATION SPEC -		SIZE A2	CAGE CODE 00779
		WEIGHT -		DRAWING NO 1938051	
CUSTOMER DRAWING				SCALE NTS	SHEET 1 OF 2
				REV A1	RESTRICTED TO -

1938051

