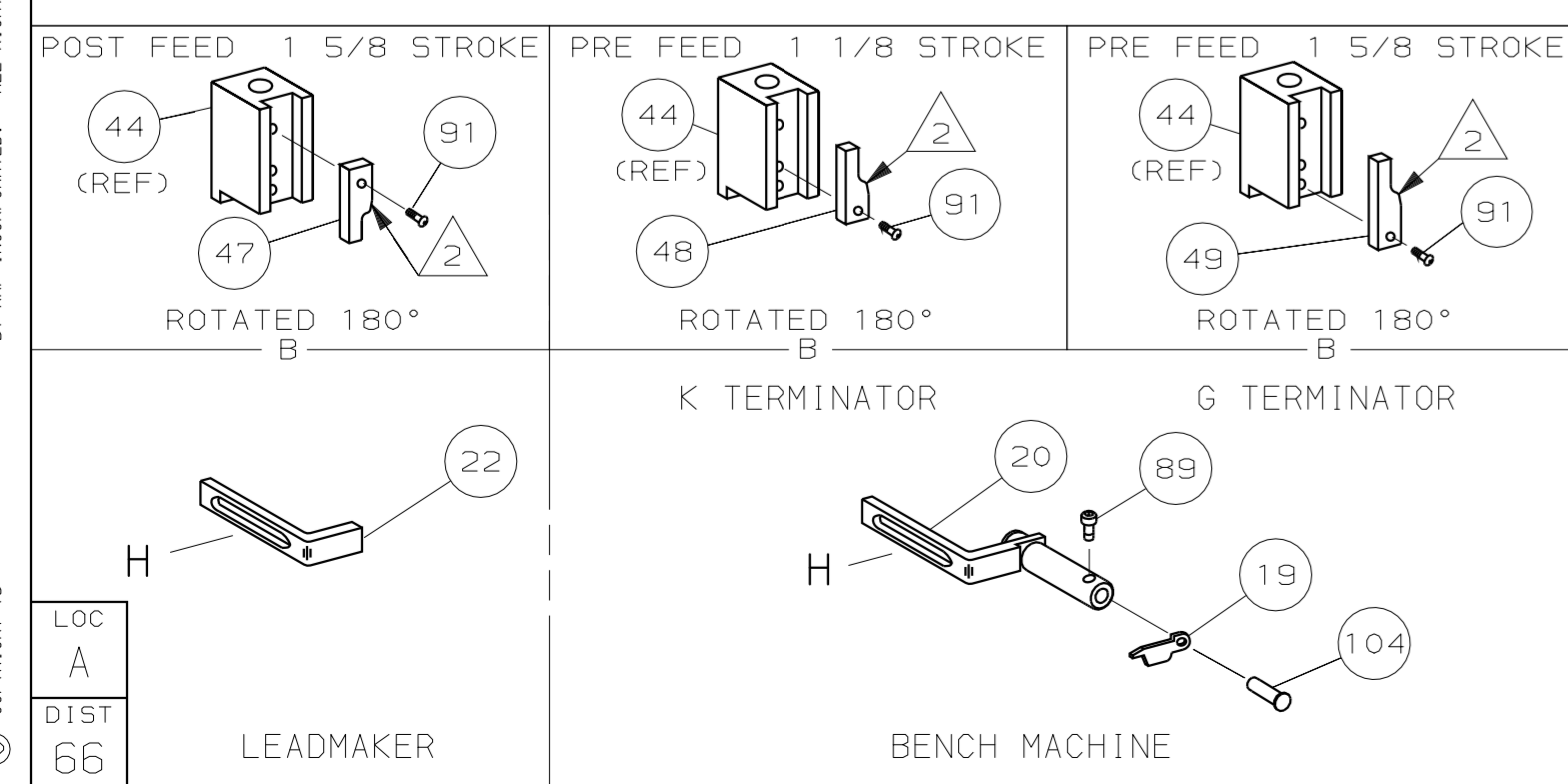
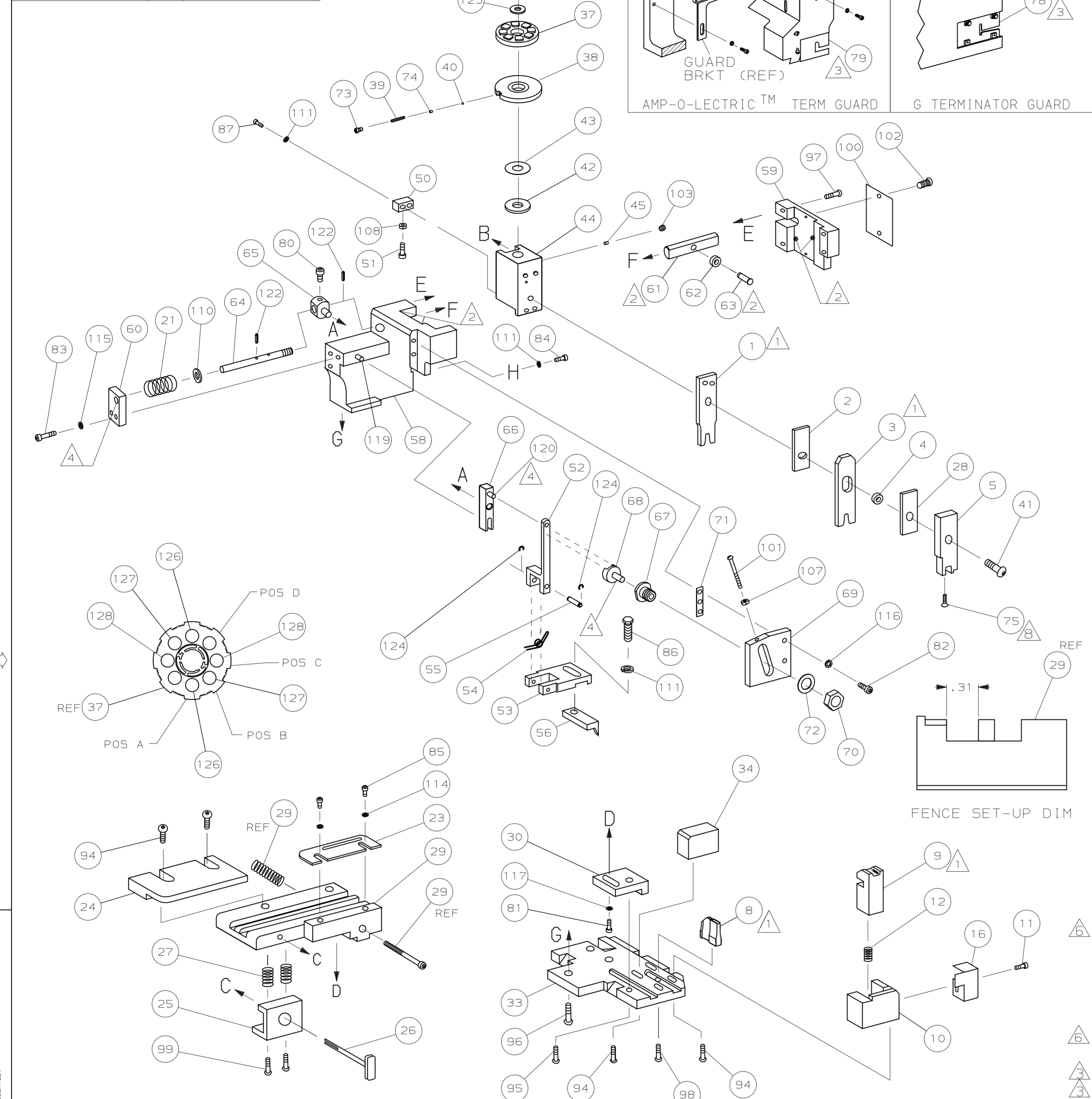


PART NUMBER	REV	FIRST USED
680209-1	E	122500-1
680209-2	E	565435-5
680209-3	E	354500-1



- 1 RECOMMENDED SPARE PARTS.
- 2 GREASE LIGHTLY.
- 3 GUARD MUST BE IN PLACE WHEN OPERATING APPLICATOR IN A BENCH MACHINE.
- 4 LUBRICATE DAILY USING NO. 20 MACHINE OIL.
- 5. ITEMS WITH QTY OF REF SPECIFIED (EXCEPT ITEMS 78 AND 79) ARE USED ON ITEM 46.
- 6 CUT TO LENGTH AT ASSY
- 7 APPLICATOR APPLIES TERMINAL WITH A SEAL.
- 8 APPLY TORQ-SEAL IN ALLEN SOCKET TO FILL HOLE AFTER FLAT HD HAS BEEN ADJUSTED TO CORRECT HEIGHT AT QUALIFICATION. APPLY PN 1-23419-5 LOC-TITE TO THREADS.

SEAL		TERM		CRIMPING DATA		
QTY	DESCRIPTION	QTY	DESCRIPTION	PAD LTR	CRIMP HEIGHT	WIRE SIZE
963530	962876	962965	963904	A	.058 ±.002 [1.47 ±0.05mm]	16
				B	.051 ±.002 [1.3 ±0.05mm]	18
				C	.047 ±.002 [1.19 ±0.05mm]	20
				D	NOT	USED
CRIMP		SIZE	TYPE	RANGE		
WIRE		.080 [2.03mm]	F	20-16		
INSUL		.155 [3.94mm]	0	.055-.075		
WIRE STRIP LENGTH	TERM APPL SPEC	FEED	APPL INSTRUCTION	SET UP GAGE	LAYOUT	
.190-.220	114-18081-1	.433	408-8040	458637-1	L16165	

QTY	DESCRIPTION	QTY	DESCRIPTION	QTY	DESCRIPTION	QTY	DESCRIPTION	ITEM NO
2	2	2	-	C	3-354779-4	PIN, WIRE DISC (.3160)C		129
2	2	2	-	C	2-354779-8	PIN, WIRE DISC (.3130)B		127
2	2	2	-	C	1-354779-2	PIN, WIRE DISC (.3050)A		126
1	1	1	-	A	986950-1	WASHER, FLAT PRECISION		125
REF	REF	REF	-	A	21045-3	RING, RET "C" (Ø.187)FD FING PIN		124
REF	REF	REF	-	A	5-21028-1	PIN, SLT SPR (Ø.125x.50)ADJ ROD		122
REF	REF	REF	-	A	1-21030-1	PIN, DOWEL (Ø.187x.50)LEVER		120
REF	REF	REF	-	A	1-21030-6	PIN, DOWEL (Ø.187x.25)HOUSING		119
1	1	1	-	A	21024-5	WASHER, LOCK (#10)ADJ BLOCK		117
REF	REF	REF	-	A	21024-5	WASHER, LOCK (#10)ADJ PLATE		116
REF	REF	REF	-	A	21024-5	WASHER, LOCK (#10)FEED GDE ROD		115
2	2	2	-	A	21024-2	WASHER, LOCK (#4)FRONT STP GUIDE		114
4	4	4	-	A	21024-4	WASHER, LOCK (#8)STRIPPER		111
REF	REF	REF	-	A	21899-4	WASHER, FLAT (Ø5/16)SCREW ADJ		110
1	1	1	-	A	21018-5	NUT, HEX (NO. 6)HOLDDOWN		108
REF	REF	REF	-	A	21018-5	NUT, HEX (6-32)FEED ADJ		107
1	1	1	-	A	992031-1	PIN, CLEVIS		104
1	1	1	-	A	21009-2	SCR, SKT SET (1/4-20x.25 LW)RAM		103
2	2	2	-	A	21017-2	SCR, DRIVE (#2x.19)ID PLATE		102
REF	REF	REF	-	A	6-23715-5	SCR, PAN HD (6-32x1.50)FEED ADJ		101
1	1	1	-	B	461264-1	PLATE, IDENTIFICATION		100
2	2	2	-	A	3-21002-0	SCR, BHC (10-32x.88)DRAG		99
1	1	1	-	A	22733-8	SCR, BHC (8-32x.38 LW)ANVIL		98
REF	REF	REF	-	A	2-21002-9	SCR, BHC (10-32x.75)CAP		97
REF	REF	REF	-	A	2-22733-8	SCR, BHC (1/4-20x.62)HOUSING		96
REF	REF	REF	-	A	2-21002-7	SCR, BHC (10-32x.50)SG ADJ BLOCK		95
6	6	6	-	A	2-21002-2	SCR, BHC (8-32x.50)TERM H DWN		94
1	1	1	-	A	1-21002-7	SCR, BHC (6-32x.38)CAM		91
1	1	1	-	A	7-21000-9	SCR, SHC (4-40x.19)STRIPPER		89
2	2	2	-	A	2-21000-7	SCR, SHC (8-32x.48)DEP-HOLD		87
1	1	1	-	A	2-22603-0	SCR, HEX HD (8-32x.31)FEED FINGER		86
2	2	2	-	A	1-21000-3	SCR, SHC (4-40x.25)F ST GUIDE		85
1	1	1	-	A	2-21000-7	SCR, SHC (8-32x.50)STRIPPER		84
REF	REF	REF	-	A	3-21000-7	SCR, SHC (10-32x.75)FEED ROD GD		83
REF	REF	REF	-	A	3-21000-6	SCR, SHC (10-32x.62)FD ADJ BLK		82
1	1	1	-	A	3-21000-4	SCR, SHC (10-32x.38)SG ADJ BL		81
REF	REF	REF	-	A	3-21000-4	SCR, SHC (10-32x.38)PIVOT BLK		80
-	REF	-	-	B	455749-1	GUARD, WINDOW		79
REF	-	-	-	B	679532-1	INSERT, GUARD		78
1	1	1	-	A	1-21003-9	SCR, FHC (6-32x.38)DEP		75
1	1	1	-	A	690603-1	SPRING, ASSIST		74
1	1	1	-	A	23030-1	SCR, SHC (6-32x.25 SL)INS DISC		73
REF	REF	REF	-	A	458109-1	WASHER, SPECIAL		72
REF	REF	REF	-	A	690517-1	SPACER		71
-3	-2	-1	U/M	DWG SIZE	PART NO	DESCRIPTION	ITEM NO	
QTY REOD PER ASSY		PARTS LIST						

QTY	DESCRIPTION	QTY	DESCRIPTION	QTY	DESCRIPTION	QTY	DESCRIPTION	ITEM NO
-1	LEADMAKER		MECH POST FEED					
-2	BENCH MODEL K		MECH PRE FEED					
-3	BENCH MODEL G		MECH PRE FEED					
REF	REF	REF	-	B	22594-8	NUT, HEX (1/2-20)		70
REF	REF	REF	-	B	240628-1	PLATE, ADJUSTMENT		69
REF	REF	REF	-	B	240626-1	SHAFT, PIVOT		68
REF	REF	REF	-	B	240633-1	BUSHING		67
REF	REF	REF	-	A	455680-1	LEVER, INTERMEDIATE		66
REF	REF	REF	-	B	240629-1	BLOCK, PIVOT		65
REF	REF	REF	-	A	240632-2	SCREW, ADJ FEED ROD		64
REF	REF	REF	-	B	240659-3	PIN, CAM ROLLER		63
REF	REF	REF	-	B	240658-1	ROLLER, CAM		62
REF	REF	REF	-	B	454398-2	ROD, FEED		61
REF	REF	REF	-	A	454178-1	GUIDE, FEED ROD		60
REF	REF	REF	-	C	454220-1	CAP, RAM		59
REF	REF	REF	-	D	454485-1	HOUSING		58
1	1	1	-	B	458537-2	PAWL, FEED		56
REF	REF	REF	-	B	240624-1	PIN, FEED FINGER		55
REF	REF	REF	-	B	691499-1	SPRING, FEED FINGER		54
REF	REF	REF	-	B	690541-1	HOLDER, FEED FINGER		53
REF	REF	REF	-	A	455679-1	LEVER, TERMINAL FEED ARM		52
1	1	1	-	A	811242-2	BUMPER, HOLDDOWN		51
1	1	1	-	A	690753-1	SPACER, TONKER		50
1	-	-	-	B	690602-6	CAM, PRE-FEED 1 5/8 ST		49
-	1	-	-	B	690602-5	CAM, PRE-FEED 1 1/8 ST		48
-	-	1	-	B	690501-4	CAM, POST-FEED 1 5/8 ST		47
1	1	1	-	B	459456-1	APPLICATOR, BASIC (SUBASSY)		46
1	1	1	-	A	690191-1	PLUG, NYLON		45
1	1	1	-	C	455673-1	RAM		44
1	1	1	-	A	690125-1	WASHER, LAMINATED		43
1	1	1	-	A	690124-1	WASHER, RAM		42
1	1	1	-	A	7-21002-9	BOLT, CRIMPER (5/16x1.00)		41
1	1	1	-	A	23241-6	BALL, STEEL		40
1	1	1	-	A	690170-1	SPRING, COMPRESSION		39
1	1	1	-	C	690142-1	DISC, INSULATION		38
1	1	1	-	D	354777-1	WIRE DISC, PLASTIC		37
1	1	1	-	A	22480-5	WASHER, SPRING		36
1	1	1	-	B	690212-1	POST, RAM		35
1	1	1	-	B	690786-6	SUPPORT, TERMINAL		34
REF	REF	REF	-	D	455675-1	PLATE, BASE		33
1	1	1	-	B	455689-1	BLOCK, STRIP GUIDE ADJ		30
1	1	1	-	C	318756-1	PLATE, ASSY STRIP GUIDE		29
1	1	1	-	C	2-455888-2	SPACER, FRONT SHEAR DEP		28
2	2	2	-	A	1-22284-0	SPRING, DRAG		27
1	1	1	-	B	690546-1	LEVER, DRAG RELEASE		26
1	1	1	-	B	240792-1	DRAG, TERMINAL		25
1	1	1	-	D	7-690504-6	GUIDE, STRIP (REAR)		24
1	1	1	-	A	690438-1	GUIDE, STRIP (FRONT)		23
-	-	1	-	B	690472-2	STRIPPER		22
REF	REF	REF	-	A	4-22284-9	SPRING, FEED RETURN		21
1	1	1	-	A	679218-1	STRIPPER WIRE STOP ASSY		20
1	1	1	-	B	458949-1	STRIPPER		19
1	1	1	-	B	318563-1	GUARD, CHIP, FRONT		16
1	1	1	-	A	5-22280-0	SPRING, SHEAR		12
1	1	1	-	B	690461-2	STOP, SHEAR		11
1	1	1	-	C	1-690459-0	HOLDER, SHEAR (FRONT)		10
1	1	1	-	C	318707-1	SHEAR, FLOAT (FRONT)		9
1	1	1	-	C	1-189717-4	ANVIL		8
1	1	1	-	C	318701-1	DEPRESSOR, SHEAR (FRONT)		5
1	1	1	-	B	238011-4	SPACER, BLOCK CRIMPER		4
1	1	1	-	C	683454-1	CRIMPER, INSULATION		3
1	1	1	-	C	1-455888-1	SPACER, CRIMPER		2
1	1	1	-	C	1-456405-5	CRIMPER, WIRE		1
-3	-2	-1	U/M	DWG SIZE	PART NO	DESCRIPTION	ITEM NO	
QTY REOD PER ASSY		PARTS LIST						