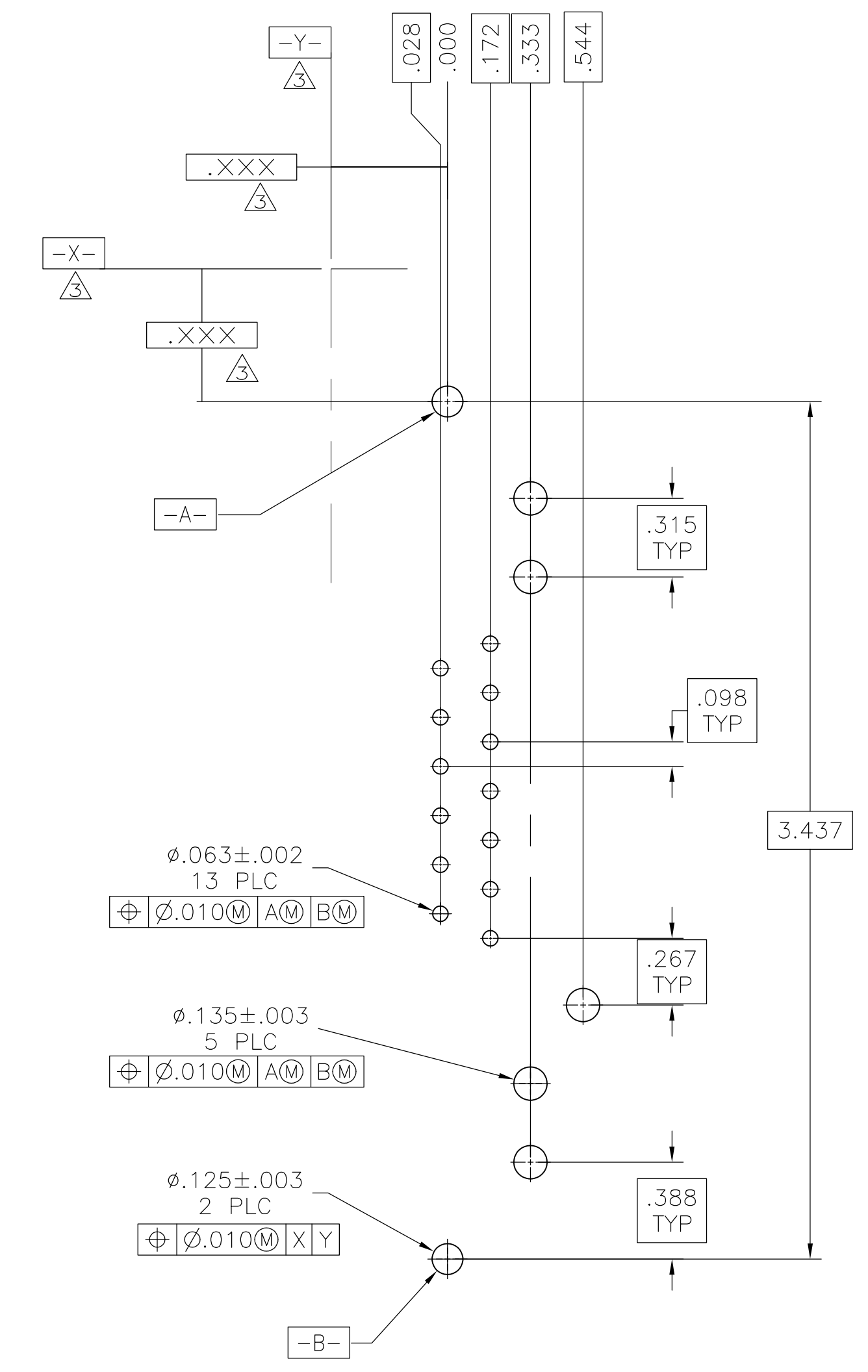
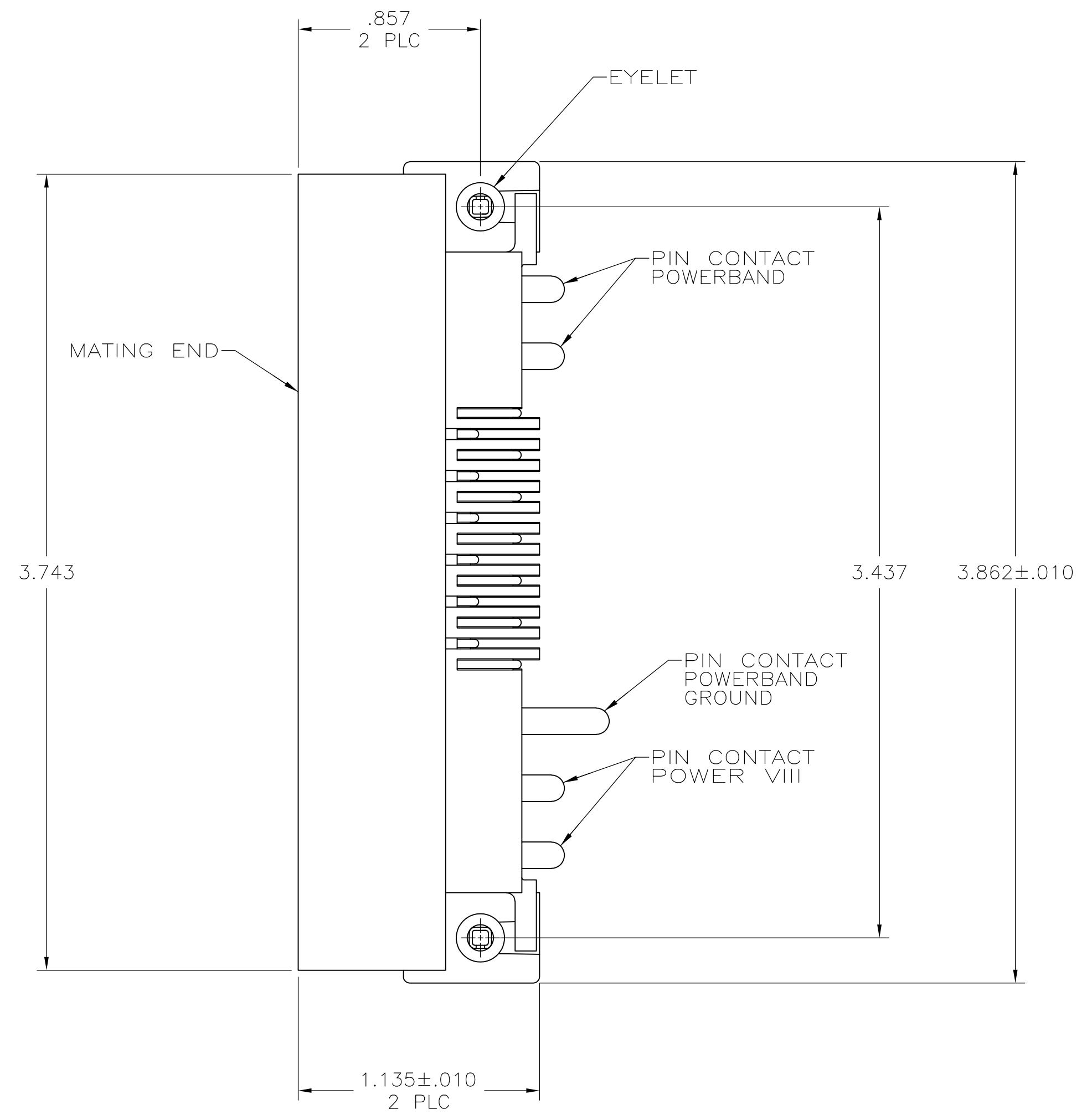
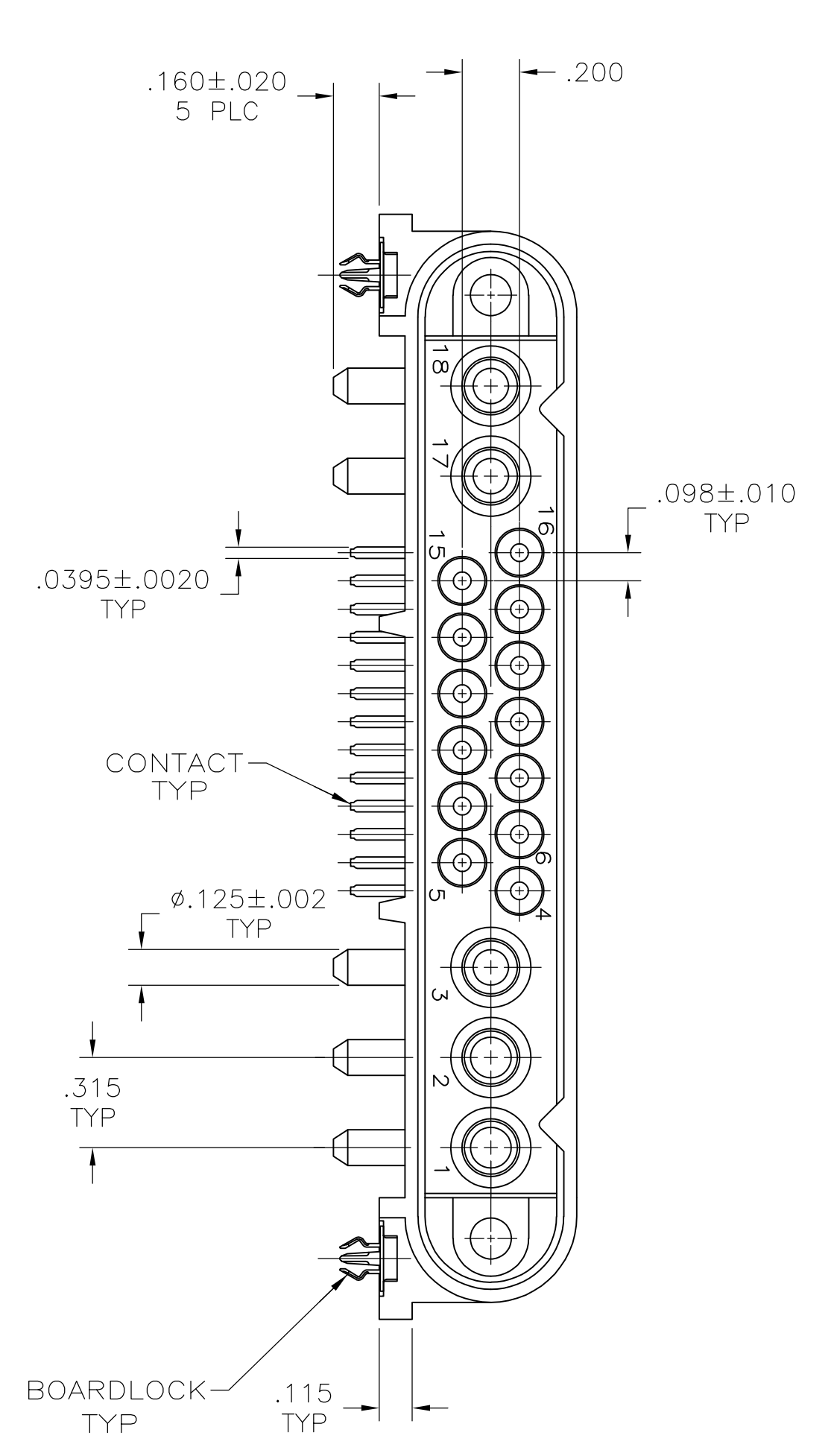
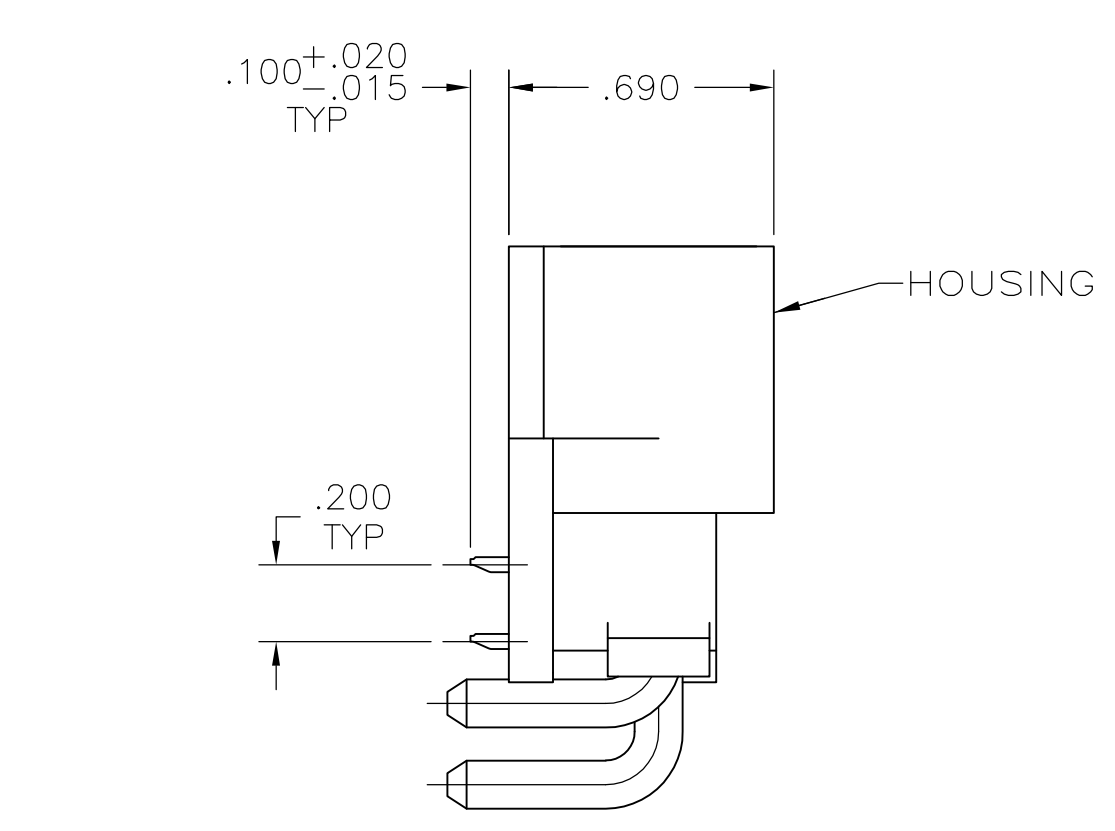


LOC	DIST	REVISIONS			
FT	0	REV	DESCRIPTION	DATE	BY
		D	REVISED PER 063B-0197-05	4/25/05	SS GS
		D1	REVISED PER ECO-09-020689	28AUG09	KK AEG

- NOTES:**
- △ HOUSING: POLYESTER, UL94V-0, BLACK; CONTACTS, PIN CONTACTS, BOARDLOCKS & EYELETS: BRASS.
 - △ CONTACTS: .000030 MIN GOLD FOR A LENGTH OF .200 MIN FROM MATING END. .000150 MIN TIN LEAD FOR LENGTH OF .120 MIN FROM OPPOSITE END, BOTH OVER .000050 MIN NICKEL ON ENTIRE CONTACT.
 PIN CONTACTS: .000030 MIN GOLD OVER .000050 MIN NICKEL.
 BOARDLOCKS: .000150 MIN TIN-LEAD OVER .000050 MIN NICKEL.
 EYELETS: .000100 MIN TIN-LEAD OVER COPPER.
 - △ DATUMS AND BASIC DIMENSIONS ESTABLISHED BY CUSTOMER.
 - △ SELECTIVELY LOADED. CIRCUIT #6 OMITTED.
 - △ SELECTIVELY LOADED. CIRCUIT #4 OMITTED.
 - △ CONTACTS: .000030 MIN GOLD FOR A LENGTH OF .200 MIN FROM MATING END. .000150 MIN TIN FOR LENGTH OF .120 MIN FROM OPPOSITE END, BOTH OVER .000050 MIN NICKEL ON ENTIRE CONTACT.
 PIN CONTACTS: .000030 MIN GOLD OVER .000050 MIN NICKEL.
 BOARDLOCKS: .000150 MIN TIN OVER .000050 MIN NICKEL.
 EYELETS: .000100 MIN TIN OVER COPPER.
 - △ OBSOLETE PARTS: OBSOLETE CIS STREAMLINING PER D.RENAUD/D.SINISI



RECOMMENDED PC BOARD LAYOUT



BOARDLOCKS REMOVED FOR CLARITY

△	△	△	213942-8
△	△	△	213942-7
△	△	△	213942-6
△	△	△	213942-4
△	△	△	213942-3
△	△	△	213942-1
FINISH		PART NUMBER	

THIS DRAWING IS A CONTROLLED DOCUMENT.		DIN D. BROCKWAY 01 JUL 96	Tyco Electronics Corporation Harrisburg, Pa 17105-3608	
DIMENSIONS: INCHES		CHK R. STONE 10 JUL 96	NAME M. MCALONIS 16 JUL 96	
TOLERANCES UNLESS OTHERWISE SPECIFIED:		PRODUCT SPEC		
0 PLC	± -	APPLICATION SPEC		
1 PLC	± .005	SIZE		
2 PLC	± -	CAGE CODE		
3 PLC	± -	DRAWING NO		
4 PLC	± -	RESTRICTED TO		
ANGLES	± -	WEIGHT		
MATERIAL		A1 00779 C=213942		
FINISH		CUSTOMER DRAWING		
		SCALE 2:1 SHEET 1 OF 1 REV D1		