

PART NUMBER	REV	FIRST USED	TERMINATOR	FEED TYPE	DESCRIPTION
1528057-1	E		LEADMAKER	MECH POST FEED	CUTS CARRIER
1528057-2	E		LEADMAKER	MECH PRE FEED	CUTS CARRIER
1528057-6	E		LEADMAKER	MECH POST FEED	CONTINUOUS CARRIER
7-1528057-1	E		LEADMAKER	MECH POST FEED	-1 AND SPARE PARTS
7-1528057-2	E		LEADMAKER	MECH PRE FEED	-2 AND SPARE PARTS
7-1528057-6	E		LEADMAKER	MECH POST FEED	-6 AND SPARE PARTS
7-1528057-7	A				SPARE PARTS KIT

**CRIMP DATA (AMP TERMINAL)**

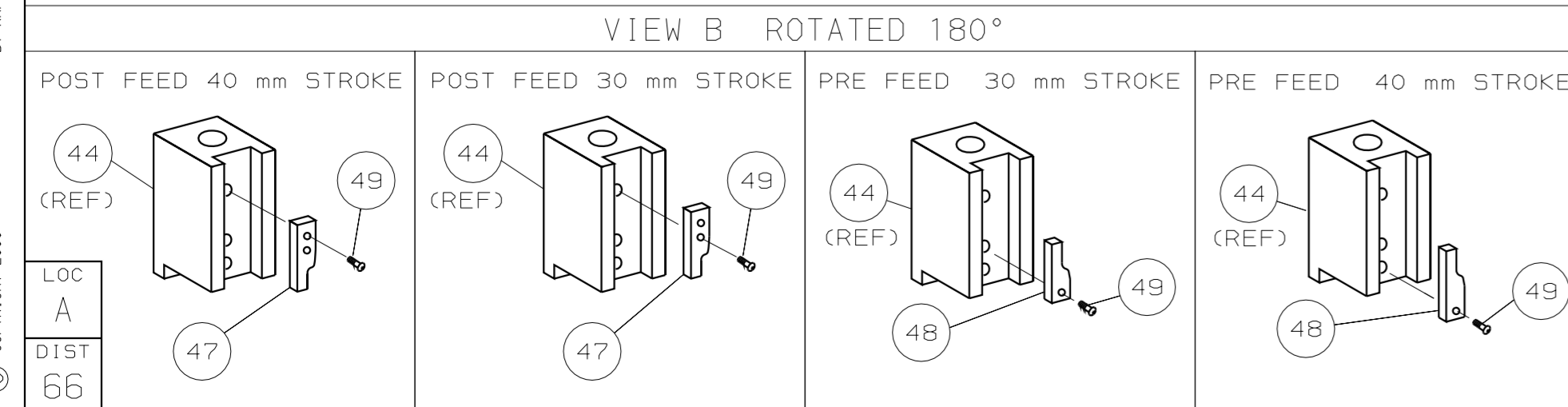
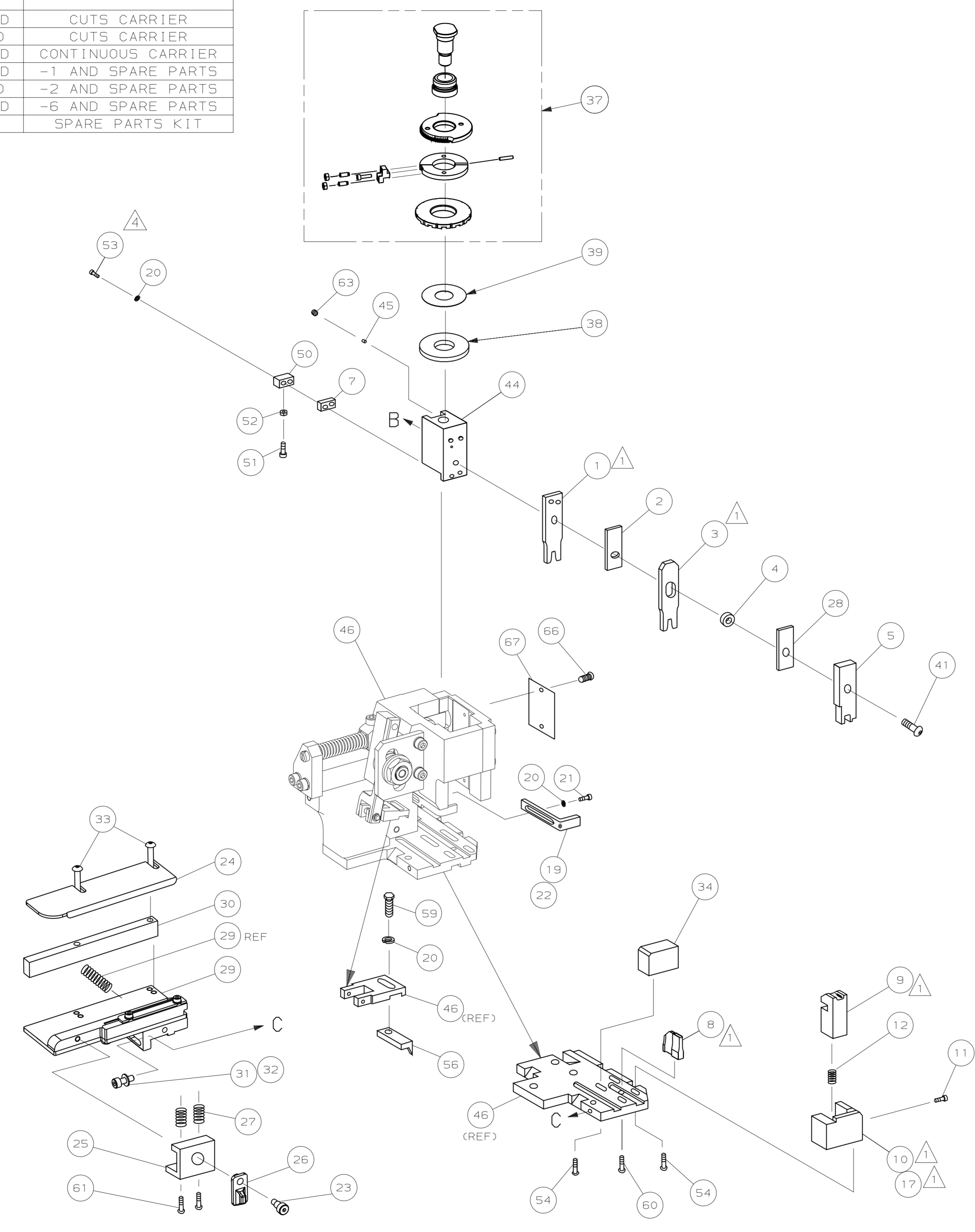
TERMINAL NAME: JUNIOR POWER TIMER RECEIPT WITH BARRIER			
CRIMP	SIZE	TYPE	RANGE
WIRE	1.78 [0.070 IN]	F	0.35mm <sup>2</sup> - 1.0mm <sup>2</sup>
INSUL	2.79 [0.110 IN]	F	2.15 MAX [0.085 IN MAX]
WIRE STRIP LENGTH		APPL INSTRUCTION	
4.5-5.5 [0.177-.217 IN]		408-8322 & 408-8490	
TERMINAL			FEED
APPL SPEC 114-15050			14.0 [0.551 IN]

**TERMINALS APPLIED**

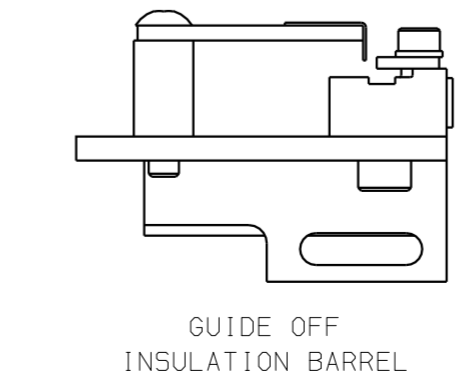
144431	-	-	-	-	-
-	-	-	-	-	-
-	-	-	-	-	-
-	-	-	-	-	-
-	-	-	-	-	-
-	-	-	-	-	-
-	-	-	-	-	-
-	-	-	-	-	-
-	-	-	-	-	-
-	-	-	-	-	-

WIRE SIZE	CRIMP HEIGHT	REF SETTING
1.00mm <sup>2</sup>	1.51 ±0.05 [0.059 ±0.002 IN]	B2
0.75mm <sup>2</sup>	1.40 ±0.05 [0.055 ±0.002 IN]	B9
0.60mm <sup>2</sup>	1.32 ±0.05 [0.052 ±0.002 IN]	C3
0.50mm <sup>2</sup>	1.27 ±0.05 [0.050 ±0.002 IN]	C7
0.35mm <sup>2</sup>	1.21 ±0.05 [0.048 ±0.002 IN]	D0
-	-	-
-	-	-
-	-	-
-	-	-
-	-	-
-	-	-
-	-	-
-	-	-
-	-	-
-	-	-
-	-	-
-	-	-
-	-	-
-	-	-
-	-	-
-	-	-
-	-	-
-	-	-

- ▲ RECOMMENDED SPARE PARTS.
- 2. GREASE RAM, CAM, CAM FOLLOWER AND FEED ROD LIGHTLY.
- 3. LUBRICATE DAILY PER THE APPLICATOR INSTRUCTION SHEET SUPPLIED WITH THE APPLICATOR.
- ▲ CUT TO LENGTH ON ASSY.



**\* WARNING:**  
ON INSTALLATION, SET WIRE DISC TO LARGEST WIRE SIZE SETTING. USE OF SETTINGS BELOW MIN REQ'D CRIMP HEIGHT SETTING WILL CAUSE DAMAGE TO CRIMP TOOLING.



QTY	RECD	PER	ASSY	PARTS LIST	ITEM			
-	1	1	1	1	1	1528057	PRINT, APPLICATOR LOG SHEET	73
-	1	1	1	1	1	1338705-3	DOCUMENTATION PACKAGE	71
-								70
-								69
-								68
-	1	1	1	1	1	461264-5	PLATE, IDENTIFICATION	67
-	2	2	2	2	2	21017-2	SCR, DRIVE (#2x.19) ID PLATE	66
-								65
-								64
-	1	1	1	1	1	3-18031-0	SCR, SKT SET (M6XG LW) RAM	63
-								62
-	2	2	2	2	2	2-18032-5	SCR, SET (M5X20) DRAG	61
-	1	1	1	1	1	18024-7	SCR, BHC (M4X10) ANVIL	60
-	1	1	1	1	1	5-18022-2	SCR, HEX (M4X8) FEED FINGER	59
-								58
-								57
-	1	1	1	1	1	1338685-1	PAWL, FEED	56
-								55
-	4	4	4	4	4	18024-8	SCR, BHC (M4X12) SHEAR HOLDER	54
-	2	2	2	2	2	1-18023-3	SCR, SHC (M4X16) TERM H DWN	53
-	1	1	1	1	1	18030-1	NUT, HEX (M3) HOLD DOWN	52
-	1	1	1	1	1	811242-5	BUMPER, HOLDDOWN	51
-	1	1	1	1	1	690753-2	SPACER, TONKER	50
-	1	1	1	1	1	18024-3	SCR, BHC (M3X10) CAM	49
-	-	1	-	-	-	1338675-1	CAM, PRE FEED 30 & 40 mm ST	48
-	1	-	1	-	1	1338676-1	CAM, POST FEED 30 & 40 mm ST	47
-	1	1	1	1	1	1320999-3	APPLICATOR BASIC SUBASSY	46
-	1	1	1	1	1	690191-1	PLUG, NYLON	45
-	1	1	1	1	1	1338660-1	RAM	44
-								43
-								42
-	1	1	1	1	1	2-18024-6	SCR, BHC (M8X25) RAM	41
-								40
-	1	1	1	1	1	690125-1	SHIM SUBASSY	39
-	1	1	1	1	1	469367-9	SPACER, FINE ADJUST	38
-	1	1	1	1	1	879103-3	FINE ADJUST HEAD SUBASSY	37
-								36
-								35
-	1	1	1	1	1	1320934-6	SUPPORT, TERMINAL	34
-	2	2	2	2	2	1-18024-0	SCR, BHC (M4X20) STRIP GUIDE	33
-	1	1	1	1	1	18027-2	WASHER, FLAT (M4)	32
-	1	1	1	1	1	1-18023-2	SCR, SKT CAP (M4X12) MOUNT BLOCK	31
-	1	1	1	1	1	1320908-8	SPACER, STRIP GUIDE	30
-	1	1	1	1	1	1633073-1	STRIP GUIDE PLATE ASSY	29
-	1	1	1	1	1	1-455888-0	SPACER, FRONT SHEAR DEP	28
-	2	2	2	2	2	1-22284-0	SPRING, DRAG	27
-	1	1	1	1	1	356835-1	LEVER, DRAG RELEASE	26
-	1	1	1	1	1	240792-1	DRAG, TERMINAL	25
-	1	1	1	1	1	1320928-1	GUIDE, STRIP (REAR)	24
-	1	1	1	1	1	980371-4	SCR, SHC SHLD	23
-	1	-	1	-	1	690472-2	STRIPPER	22
-	1	1	1	1	1	1-18023-1	SCR, SHC (M4X10) STRIPPER	21
-	4	4	4	4	4	18025-2	WASHER, LOCK (M4) STRIPPER	20
-	-	1	-	-	1	690472-1	STRIPPER	19
-								18
-	1	-	-	1	-	1338684-1	HOLDER, SHEAR, FRONT (NO-CUT)	17
-								16
-								15
-								14
-								13
-	1	1	1	1	1	3-22280-3	SPRING, SHEAR	12
-	1	1	1	1	1	356885-4	STOP, SHEAR	11
-	-	1	1	-	1	1320921-1	HOLDER, SHEAR, FRONT (CUT)	10
-	1	1	1	1	1	462006-1	SHEAR, FLOAT (FRONT)	9
-	1	2	2	2	2	1333203-1	ANVIL	8
-	1	1	1	1	1	1-240641-6	SPACER, DEPRESSOR (REAR)	7
-								6
-	1	1	1	1	1	2-455889-0	DEPRESSOR, SHEAR (FRONT)	5
-	1	1	1	1	1	1-238011-7	SPACER, BLOCK CRIMPER	4
▲	1	2	2	2	2	2-456134-9	CRIMPER, INSULATION	3
-	1	1	1	1	1	455888-1	SPACER, CRIMPER	2
▲	1	2	2	2	2	3-456404-1	CRIMPER, WIRE	1

REVISION	DESCRIPTION	DATE	BY						
-77	-76	-72	-71	-6	-2	-1			

QTY	RECD	PER	ASSY	DESCRIPTION
-	-	-	-	REVISION OF EACH ASSY NO (WHEN BLANK, USE DWG REVISION)

P	F	L	TR	REV	DATE	APP
-	-	-	-	-	-	-

DR	DATE	APP	DESCRIPTION
D	11-06	TE	11-06
D	11-06	BH	FEB04
D	11-06	TE	12-03
D	11-06	BH	DEC02
D	11-06	DS	6-02
A	11-06	MC	NOV01

MATERIAL	HT	TR	FIN
-	-	-	-

SCALE	DWG NO	REVISION
-	1528057	-

THIS DRAWING IS A CONTROLLED DOCUMENT.

LAYOUT L1426002  
SET UP GAGE 458637-3

2000  
RELEASED FOR PUBLICATION BY AMP INCORPORATED. ALL RIGHTS RESERVED.  
THIS DRAWING IS UNRELEASABLE.  
AMP 1756 REV 3-92 08-NOV-06 14:00:34 us016926