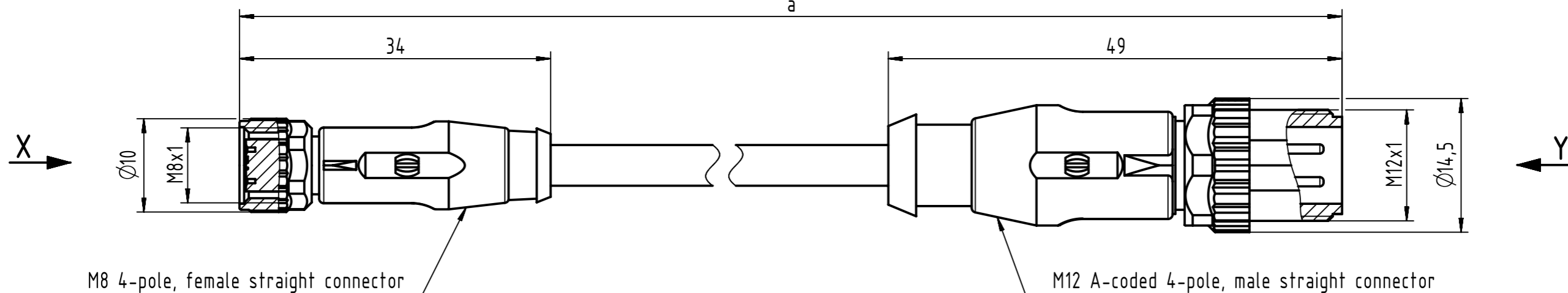


Connector Location A

Connector Location B



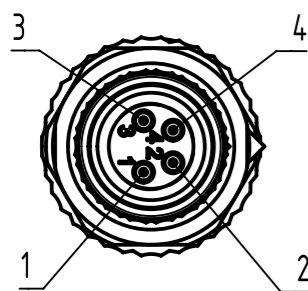
M8 4-pole, female straight connector

M12 A-coded 4-pole, male straight connector

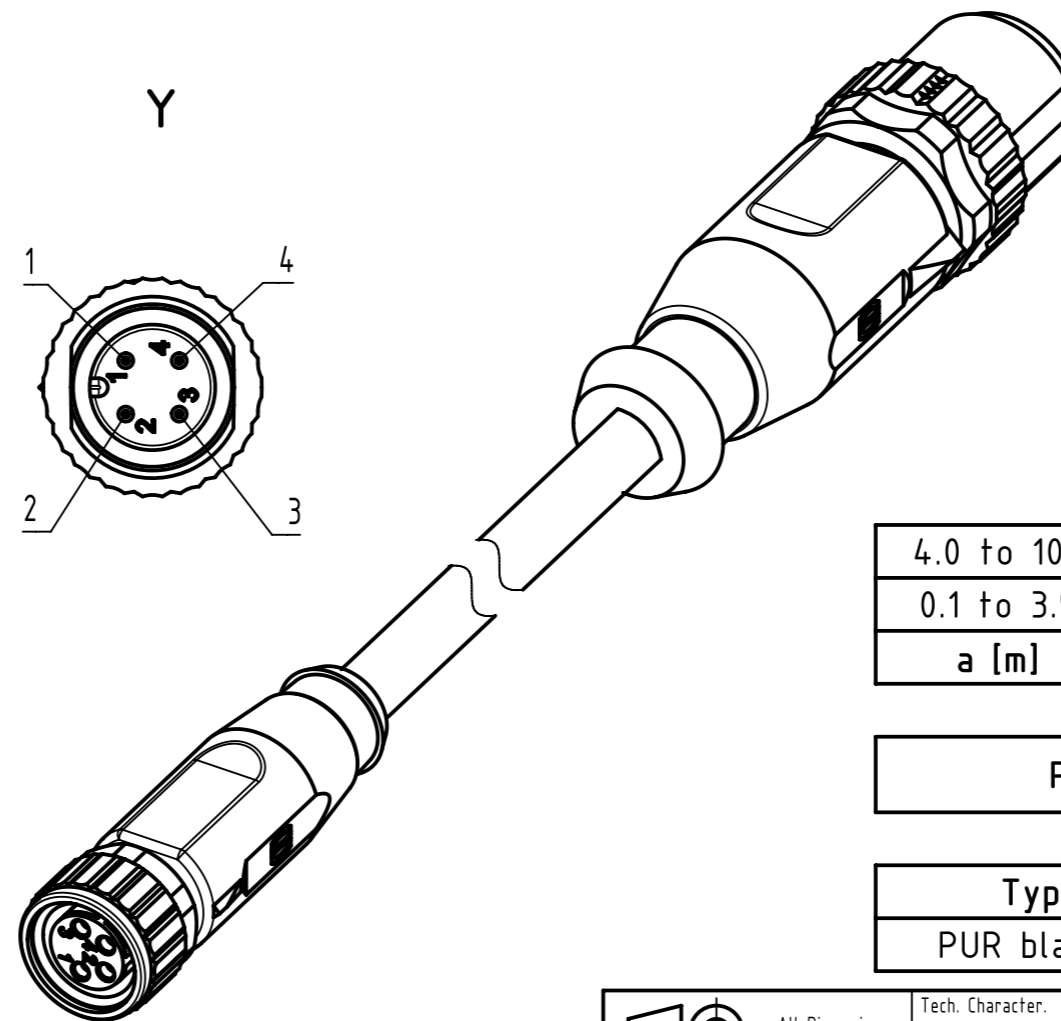
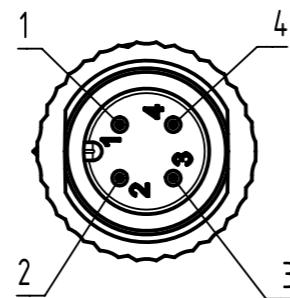
X

Y

Loading-Plan:



- 1 brown
- 2 white
- 3 blue
- 4 black



- Protection level: IP 65/67
- Temperature range: -25°C ... +80°C

length in "1m" step	100	XXX=000
	99	XXX=990
	12	XXX=120
	11	XXX=110
length in "0.1m" step	10	XXX=100
	9.9	XXX=099
	9.8	XXX=098
	0.4	XXX=004
	0.3	XXX=003
	0.2	XXX=002
	0.1	XXX=001
Step	a [m]	XXX

4.0 to 100	+1%
0.1 to 3.9	+0.04
a [m]	Tolerance

Part no. 213481844XXXX

Type of cable XX
PUR black, 4x0.25mm² XX=89

	All rights reserved		Tech. Character.		Free size tol.		According to production drawing 2016-09-06	
	Department HCS - RO		Created by MUNTEANV	Inspected by POPESCUD	Standardisation AVRAM	Date 2016-10-18	State Final Release	
HARTING Customised Solutions		Title M12 A-coded Cable Assembly				Doc-Key / ECM-Nr. 100641699/UGD/009/C 500000110313		
D-32427 Minden		Type TB	Number 213481844XXXX			Rev. C	Page 1/1	