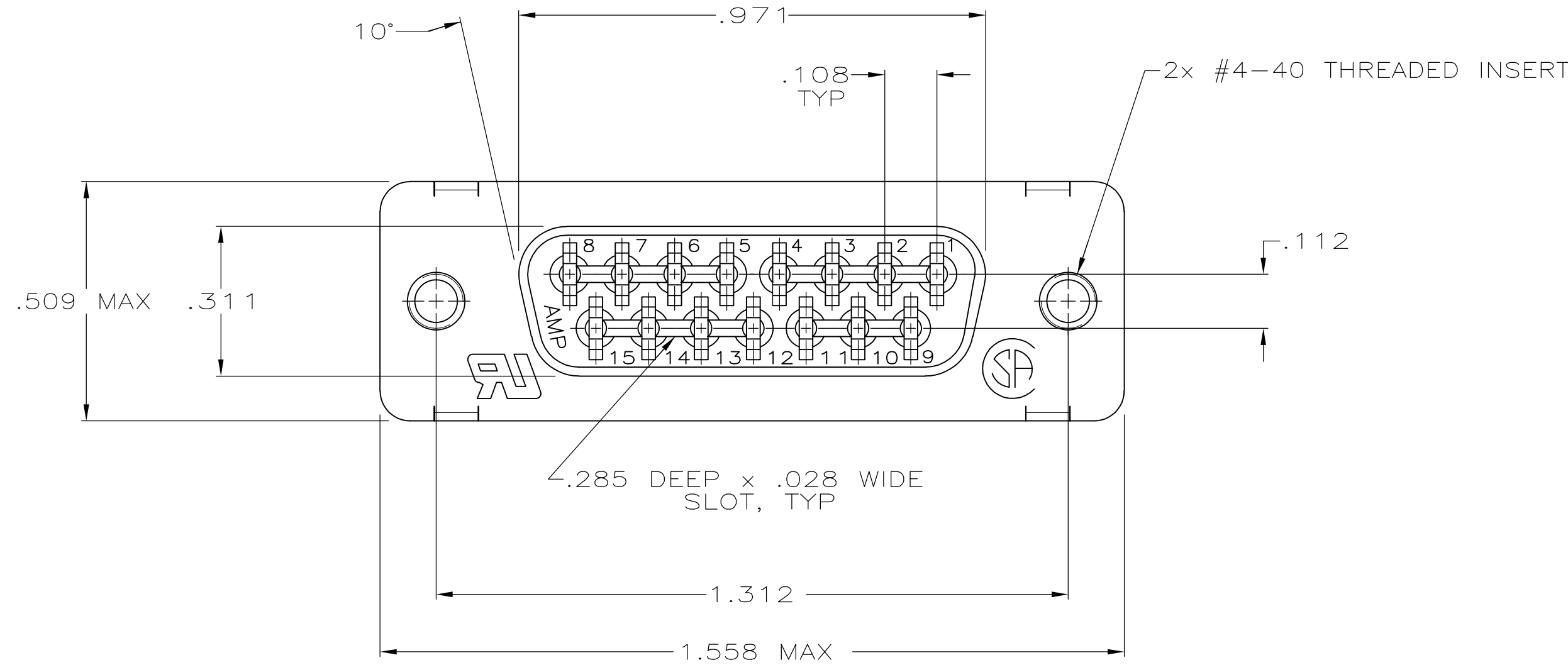
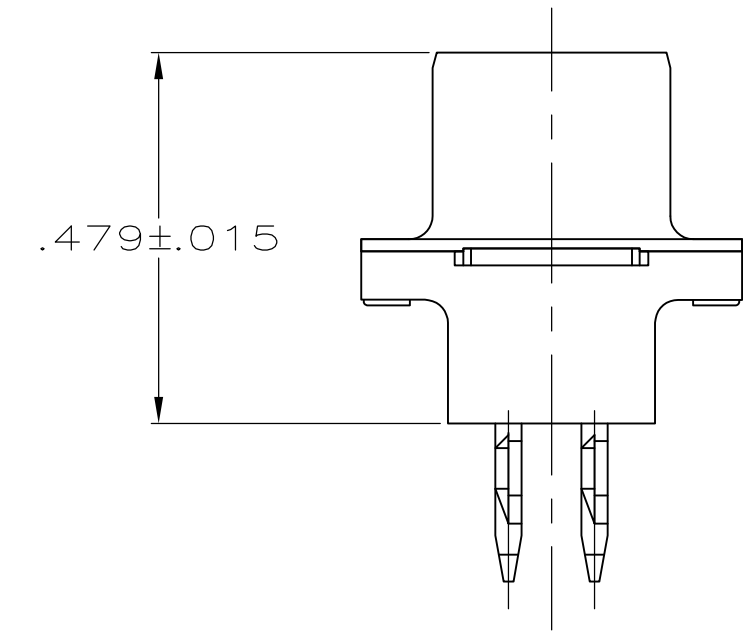
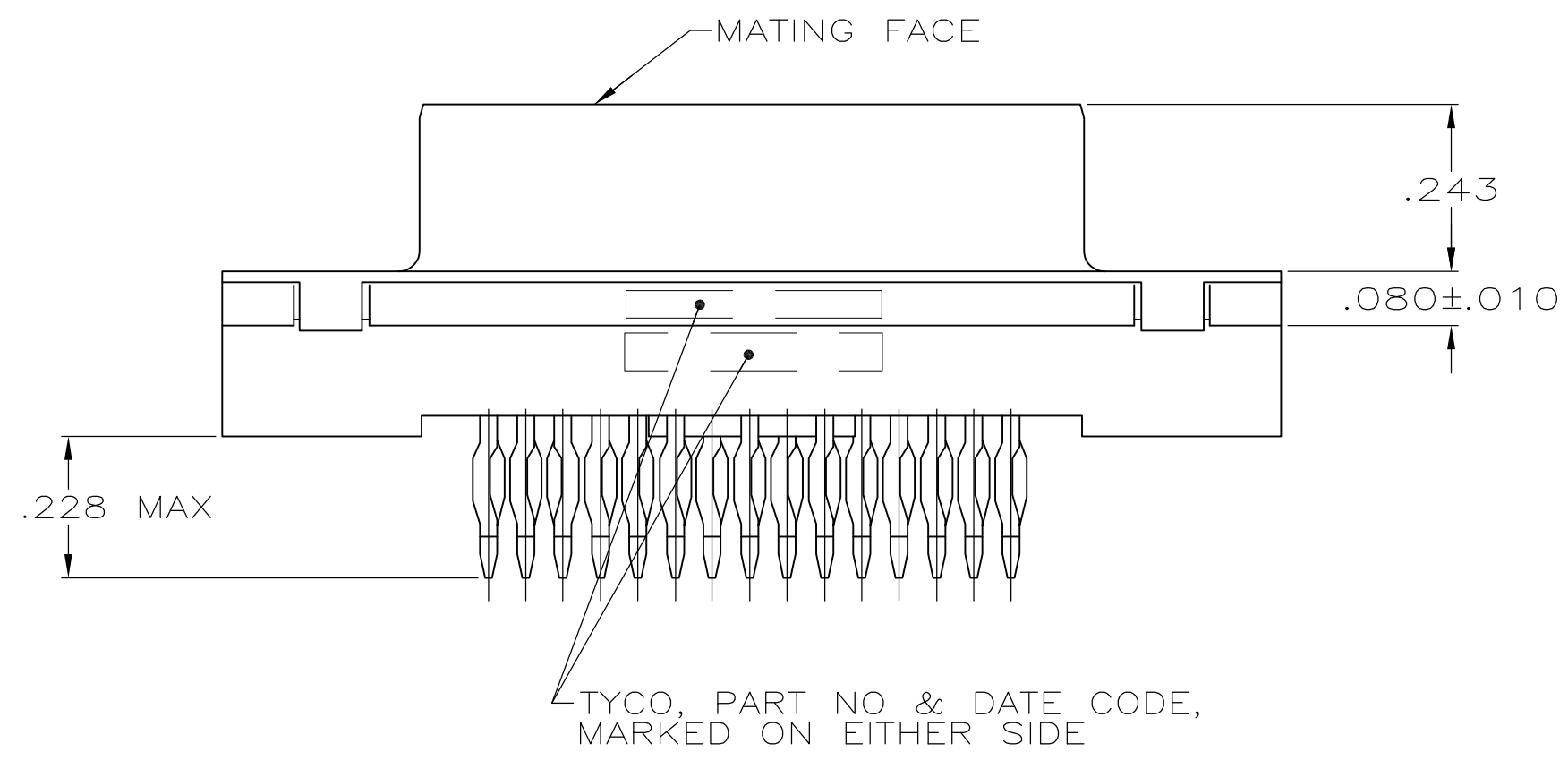


THIS DRAWING IS UNPUBLISHED. RELEASED FOR PUBLICATION
 © COPYRIGHT - By - ALL RIGHTS RESERVED.

| LOC | DIST | REVISIONS | | | | | |
|-----|------|-----------|-----|---------------------------|-----------|-----|------|
| GP | 00 | P | LTR | DESCRIPTION | DATE | DWN | APVD |
| | | C | | REVISED PER ECO-12-000090 | 26JAN2012 | CJV | SLB |



- 1 FOR USE WITH .093 MINIMUM THICK PRINTED CIRCUIT BOARD. REFER TO APPLICATION SPECIFICATION FOR PRINTED CIRCUIT BOARD LAYOUT DIMENSIONS AND FINISH RECOMMENDATIONS.
- 2 HOUSING: FLAME RETARDANT 94V-0 RATED THERMOPLASTIC, COLOR BLACK. SHELL: CARBON STEEL. CONTACTS: COPPER ALLOY. INSERTS: BRASS.
- 3 CONTACTS:
 0.76 MICRO METERS [.000030] MINIMUM GOLD IN MATING AREA.
 2.54 MICRO METERS [.000100] MINIMUM TIN ON COMPLIANT PIN.
 ALL OVER 1.27 MICRO METERS [.000050] MINIMUM NICKEL.
 OR
 GOLD FLASH OVER PALLADIUM NICKEL.
 0.76 MICRO METERS [.000030] MINIMUM TOTAL IN MATING AREA.
 2.54 MICRO METERS [.000100] MINIMUM TIN ON COMPLIANT PIN.
 ALL OVER 1.27 MICRO METERS [.000050] MINIMUM NICKEL.



5747141-2
PART NO

**COPYRIGHT 2005
 TYCO ELECTRONICS CORP
 ALL RIGHTS RESERVED**

| | | | | | | |
|---|--|---------------------------------|---|--------------------|-----------------------|--------------------|
| THIS DRAWING IS A CONTROLLED DOCUMENT. DIMENSIONING AND TOLERANCING PER ASME Y14.5M-2009 | | DWN B. LATTUCA 07OCT05 | STE TE Connectivity | | | |
| DIMENSIONS: INCHES | | CHK S. BOLASH 07OCT05 | | | | |
| TOLERANCES UNLESS OTHERWISE SPECIFIED: 0 PLC ± - 1 PLC ± - 2 PLC ± - 3 PLC ± .005 4 PLC ± - ANGLES ± 2° | | APVD M. WALMSLEY 07OCT05 | NAME RCPT ASSY, SIZE 2, 15 POS, MEDIUM PROFILE, ACTION PIN, METAL SHELL, AMPLIMITE HDP | | | |
| MATERIAL | | PRODUCT SPEC 108-40014 | SIZE A2 | CAGE CODE 00779 | DRAWING NO 5747141 | RESTRICTED TO - |
| FINISH | | APPLICATION SPEC 114-40026 1 | WEIGHT - | SCALE 4:1 | SHEET 1 of 1 | REV C |
| | | CUSTOMER DRAWING | | | | |